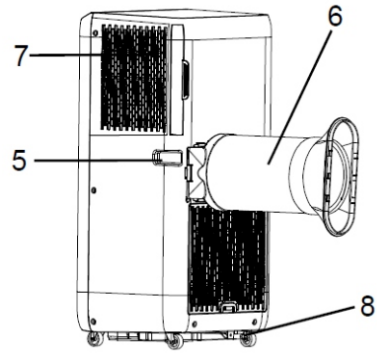
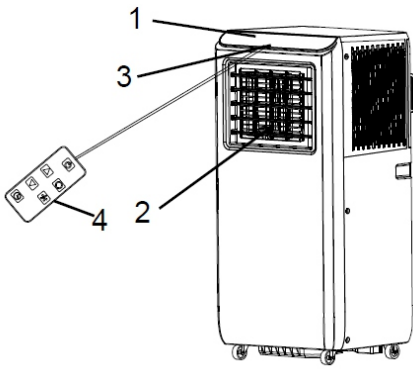


# *mesko*

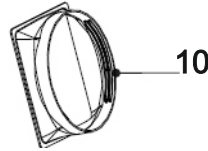
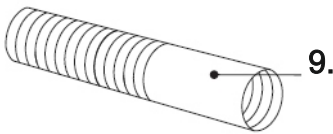


## MS 7854

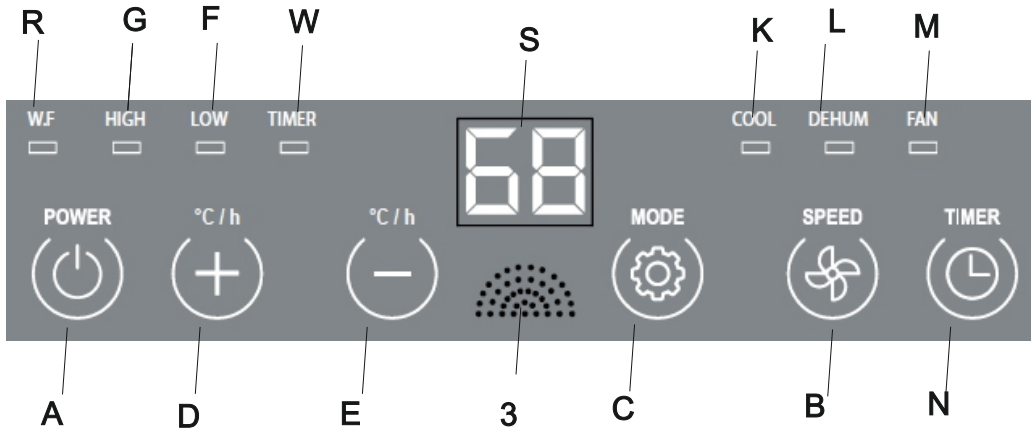
(GB) user manual - 4	(DE) bedienungsanweisung - 10
(FR) mode d'emploi - 16	(ES) manual de uso - 22
(PT) manual de serviço - 27	(LT) naudojimo instrukcija - 33
(LV) lietošanas instrukcija - 38	(EST) kasutusjuhend - 43
(HU) felhasználói kézikönyv - 59	(BS) upute za rad - 54
(RO) Instrucțiunea de deservire - 48	(CZ) návod k obsluze - 91
(RU) инструкция обслуживания - 69	(GR) οδηγίες χρήσεως - 101
(MK) упатство за корисникот - 129	(NL) handleiding - 101
(SL) navodila za uporabo - 86	(FI) manual ng pagtuturo - 64
(PL) instrukcja obsługi - 140	(IT) istruzioni operative - 75
(HR) upute za uporabu - 81	(SV) instruktionsbok - 118
(DK) brugsanvisning - 96	(UA) інструкція з експлуатації - 123
(SR) Корисничко упутство - 113	(SK) Používateľská príručka - 133
(AR) دليل التعليمات - 145	(BG) Инструкция за употреба - 150



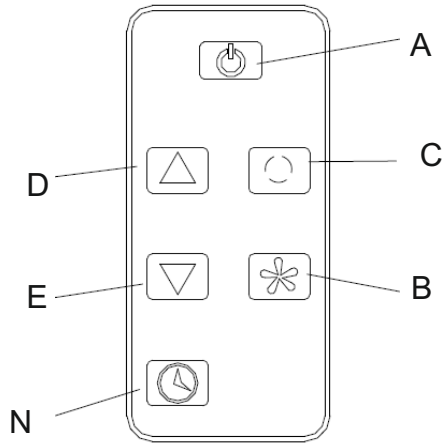
PICTURE A



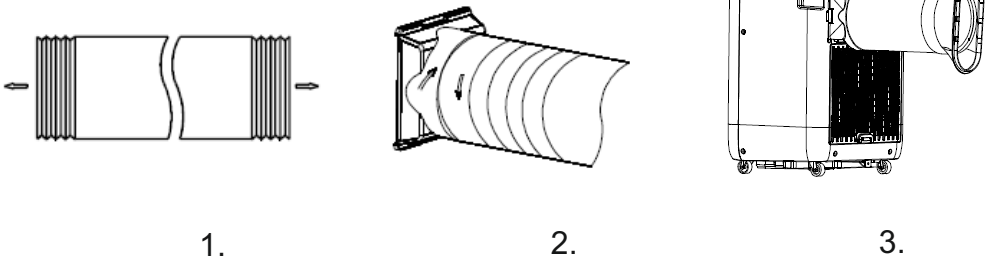
PICTURE B



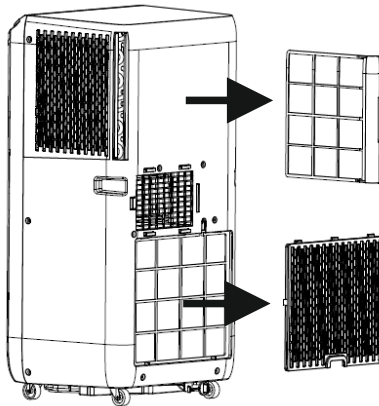
PICTURE C



**PICTURE D**



**PICTURE E**



**PICTURE F**

SAFETY CONDITIONS. IMPORTANT INSTRUCTIONS ON SAFETY OF USE  
PLEASE READ CAREFULLY AND KEEP FOR FUTURE REFERENCE

1. Before using the device, read the operating manual and follow the instructions contained in it. The manufacturer is not liable for damages caused by using the device contrary to its intended purpose or improper operation.
2. The device is for home use only. Do not use for other purposes that are not for its intended purpose.
3. The device should only be connected to an AC outlet with a grounded 220 240V ~ 50Hz. To increase operational safety, multiple electrical devices should not be connected to one current circuit at the same time.
4. Use extreme caution when using the device when children are nearby. Do not allow children to play with the device, do not allow children or people unfamiliar with the device to use it.
5. **WARNING:** This equipment may be used by children over 8 years of age and people with limited physical, sensory or mental ability, or people who have no experience or knowledge of the equipment, if this is done under the supervision of a person responsible for their safety or have been granted them information on the safe use of the device and are aware of the dangers of using it. Children should not play with the equipment. Cleaning and maintenance of the device should not be performed by children, unless they are over 8 years old and these activities are carried out under supervision.
6. Always disconnect the power plug by holding the socket with your hand after use. **DO NOT** pull on the power cord.
7. Do not immerse the cable, plug and the whole device in water or any other liquid. Do not expose the device to atmospheric conditions (rain, sun, etc.) or use in conditions of high humidity (bathrooms, damp mobile homes).
8. Periodically check the condition of the power cord. If the power cord is damaged, it should be replaced by a specialist repair shop to avoid danger.
9. Do not use the appliance with a damaged power cord or if it has been dropped or damaged in any other way or if it is not working properly. Do not repair the device yourself, as there is a risk of electric shock. Take the damaged device to an appropriate service center for checking or repair. All repairs may only be carried out by authorized service points. Incorrectly performed repairs can cause serious danger for the user.
10. Place the device on a cool, stable surface, away from hot kitchen appliances such as: electric stove, gas burner, etc.
11. Make sure that nothing is blocking the air inlet and outlet of the device
12. Use the device only on a level surface to prevent the condensation from spilling out
13. To provide additional protection, it is advisable to install a residual current device (RCD) in the electric circuit with a rated residual current not exceeding 30mA. Ask an



electrician for this.

14. Clean the air filter regularly. The frequency of cleaning depends on the cleanliness of the air.

15. After turning off the machine, wait at least 5 minutes before turning it back on.

16. Do not use the device in sunny places. When the device overheats, the overheat protection will switch on the device.

17. To ensure effective cooling, a distance of at least 60 cm should be kept between the side walls of the device and the wall or furniture or curtains.

18. Due to the limited performance of the device, if the difference between the target temperature and the ambient temperature is too great, the target temperature may not be reached.

19. To reduce the risk of fire, electric shock or injury when using the air conditioner, observe the following basic precautions:

a) Connect to a grounded outlet with 3 pins.

b) Do not remove the grounding prong.

c) Do not use the adapter.

d) Do not use an extension cord.

e) Disconnect the air conditioner before servicing.

f) Use two or more people to move and install the air conditioner.

20. Do not use agents accelerating the defrosting or cleaning process other than those recommended by the manufacturer.

21. The device should be stored in a room without constantly operating sources of ignition, for example: open fire, gas appliances or electric heaters.

#### BEFORE FIRST USE – (picture E)

Connect the connectors to the air exhaust duct as follows:

1. Extend the air exhaust duct (9) by drawing out the two ends of the duct.
2. Screw the air exhaust duct (9) into the connector of air exhaust duct (10).
3. Connect the connector of air exhaust duct (10) to the device.

#### REMARKS:

1. Keep the unit at least 1 meter away from TV or radios to avoid electromagnetic interference.
2. Do not expose the unit under direct sun light to avoid surface color fading.
3. Do not tilt the unit for more than 35° or upside-down while transporting. If the device has been turned over during transport, put it down correctly and wait 2-4 hours before starting it.
4. Place the unit on a flat surface with less than 5° inclination.
5. The unit operates more efficiently in certain room locations, select the best location:
  - Beside a window, a door or a French window.
  - Keep the required distance from the return air outlet to the wall or other obstacles at least 60 cm.
  - Extend the air hose to ensure that other end of the air hose has clearance between the window door, or French window, or wall hole.
  - Air outlet or intake cannot be blocked by protective grid or any obstacle.

To extend the life of the unit, drain the condensed water from drain hole (8) before putting the unit into storage at the end of the season.

#### DEVICE DESCRIPTION (pictures A and B)

- |                                   |                            |                     |
|-----------------------------------|----------------------------|---------------------|
| 1. Control panel                  | 2. Cold air outlet         | 3. Signal receptor  |
| 4. Remote controller              | 5. Transport handle        | 6. Exhaust duct     |
| 7. Evaporator inlet               | 8. Drain plug              | 9. Air exhaust duct |
| 10. Connector of air exhaust duct | 11. Window exhaust adapter |                     |

#### CONTROL PANEL (picture C)

- |                                    |                                  |
|------------------------------------|----------------------------------|
| A. Power button                    | B. Fan speed button              |
| C. Mode button                     | D. Timer / Temperature up button |
| E. Timer / Temperature down button | F. Fan low speed indicator       |
| G. Fan high speed indicator        | K. Cool mode indicator           |
| L. Dehumidify mode indicator       | M. Fan mode indicator            |
| N. Timer button                    | R. WF – full water indicator     |
| S. Set temperature / Timer display | W. Timer indicator               |

#### REMOTE CONTROLLER – picture D

The remote controller transmits signals to signal receiver (3).

Button "A" - the appliance will be started when it is energized or will be stopped when it is in operation, if you press this button.

Button "C" - press it to select operation mode: "K", "L" or "M". Suitable indicator will be lighted up.

Button "B" - press it to select fan speed in sequence. Suitable indicator will be lighted up.

Button "D" / "E" - press to set up desired temperature in room or the timer. The display "S" present desired temperature, not present temperature in room.

Button "N" - press to set the time of automatic off and automatic on.

#### OPERATION OF THE CONTROL PANEL

##### COOL / DEHUM / FAN

1. Turn on the device.

- Connect the device and then the device beeps once.
- Press the "A" button, then the device will turn on.
- LED display indicates the set temperature.

2. Choose the operating mode

Press the "C" button to select the desired mode of operation by sequence:

Cooling mode "K" -> Drying mode "L" -> Fan mode "M."

3. Adjust temperature

The temperature can be set within a range 16°-31°C. Press "D" or "E" button to increase or decrease the temperature by 1°C by pressing once. The device LED panel shows the target temperature for 5 seconds and then displays the set temperature, not present temperature in room.

After setting temperature under Cooling mode "K", if you select again cooling mode "K" or Fan mode "M", then LED display indicates the default target temperature 25°C.

#### 4. Adjust fan speed

Press the button "B" to select a desired fan speed shows by sequence:

Low speed "F" -> High speed G

#### 5. Power

When you press the "A" button again, the device will sound "di" and stop working.

#### 6. Press this button "N" to set a timer.

Modes working principles:

Dehumidify "L" mode:

1. The fan will run at low speed, and the speed can't be adjusted.

The adjustment of temperature is no effective. The device automatically adjusts the set temperature to 2°C below the room temperature when entering the dehumidification mode.

2. When room temperature  $\leq 16^{\circ}\text{C}$ , cannot dehumidify, the fan will run at low speed.

WARNING:

When operating the device in conditions of varying humidity, the drain plug (8) should be constantly open and ensure constant water drainage. To comfortable water draining use the pipe included in kit.

COOL "K" mode:

1. When the room temperature is higher than set temperature on control panel, the compressor starts to run. The device cools the room.

2. When the room temperature is lower than set temperature on control panel, the compressor stop and the fan operates at original set speed.

Fan "M." mode.

1. The fan runs at set speed, and the compressor does not run.

2. The adjustment of temperature is no effective.

Timer operation "N":

1. Press "N" button to set Automatic Off time while the unit is running.

2. Press "N" button to set Automatic On time while the unit is ready.

3. The time can be adjusted within a range of 1 hour to 24 hours by pressing the button "D" (+) or "E" (-).

Notice:

The main control board has memory function, when the device is ready to run but in stop status, the main control board can memorize the initialization of working mode. When you turn on the unit, it will work as the same enactment of working-mode as last time, no need to reset the working mode again.

#### REMOTE CONTROLLER

1. Slide the back cover to open and take off the isolating film on the batteries.

2. Insert the batteries into the compartment with the correct side. The poles of the batteries must match the signs "+" and "-" on the remote control.

3. For long time no use, take out the batteries.

4. To prevent environmental pollution, take out the used batteries and dispose safely and appropriately.

To operate the device, aim the remote controller (4) at the signal receptor (3). The remote controller (4) will operate the device at distance 5 meters when pointing at signal receptor (3) of the device.

## PROTECTIVE DEVICES

The protective device may trip and stop the appliance in the cases listed below:

1. at cooling mode: indoor air temperature is over 43°C
2. at cooling mode: room temperature is below 16°C
3. at dehumidifying mode: room temperature is below 16°C

If the device runs in cooling "K" or dehumidify "L" mode with door or window opened for a long time when relative humidity is above 80%, dew may drip down from the outlet.

The protective device will work in the following cases:

1. Restarting the device immediately after stopping work or changing the selected mode while working, you must wait 3 minutes.
2. If the plug has been removed, after restarting the device will return to the original mode, TIMER ON and TIMER OFF - must be set again.

REMARK: there is condensing water recycling hidden within this device. The condensing water is partly kept recycling between the condenser and build in water plate. When the water level rises to the upper level, it is raised by the float switch, then (W.F.) the full water level indicator "R" lights up to remind you to drain the water. Please cut off the power supply, move the appliance to a suitable place, remove the drain plug, drain water completely. After the drain, re-install the drain plug (8), or the appliance may leak and make your room wet. If it is not drained 5 minutes after the W.F. indication on, the display will show E4.

If the appliance is placed in a position admitting drain water, you also can connect the drain pipe to the drain port to drain the water. Drain pipe is added to kit, with inner diameter 9mm, outer diameter 12mm, material: PVC.

## Troubleshooting

1) Trouble: Do not work.

Analysis:

- a) maybe the protector trip or fuse is blown, please wait for 3 minutes and start again, protector device may be preventing device from working.
- c) maybe batteries in the remote controller are exhausted.
- d) maybe the plug is not properly plugged in.

2) Trouble: works for a short time only

Analysis:

- a) if the set temperature is close to room temperature, you can lower the set temperature.
- b) maybe air outlet is blocked by obstacle. Take the obstacle away.

3) Trouble: Works but not cools

Analysis:

- a) maybe door or window are open.

- b) maybe in close distance there is another appliance heat-working like heater or lamp, etc.
- c) the air filter is dirty, please clean it.
- d) air outlet or intake is blocked.
- f) set temperature is too high.
- 4) Trouble: Water leak during moving.

Analysis:

- a) drain the condensate before moving.
- b) to avoid water leakage, please locate the device on flat ground.
- 5) Trouble: Do not work and water full indicator "W.F" light on

Analysis:

- a) pull out rubber plug to drain water.
- b) if it is often in this state, please contact qualified service technical.

Troubleshooting

- 6) Trouble: Device fails to start up.

Analysis:

- a) maybe not plugged. So, plug in it.
- b) maybe plug or socket damages. Replace by service provider.
- c) maybe fuse broken. Replace the fuse by service provider (specification: 3,15A/250VAC).

- 7) Trouble: Device automatically stops.

Analysis:

- a) timing shut down or set temperature reached. Restart it or wait for auto-switch.
- 8) Trouble: no cold air under COOL "K" mode.

Analysis:

- a) room temperature is lower than set temperature. It is a normal phenomenon, the machine will auto-switch while the room temperature is higher than the set temperature.
- b) Device enters into anti-frost protection. The device will auto switch after anti-frost protection is over.

- 9) Trouble: LED display indicates failure code "E0"

Analysis:

- a) room temperature sensor fails or damages. Replace the room temperature sensor by service provider.

- 10) Trouble: LED display indicates failure code "E4"

Analysis:

- a) water-full warning. Drain out the water.

## CLEANING AND MAINTENANCE

Device maintenance

1. Turn off the device first before disconnecting from power supply.
2. Wipe with a soft and dry cloth. Use lukewarm water below 40°C to clean if the appliance is very dirty.
3. Never use volatile substance such as gasoline or polishing powder to clean the device.

Air filter maintenance

It is necessary to clean the air filter every 2 weeks if the device operates in an extremely dusty environment. Clean as follows:

1. Stop the device first, push up the air filter (Picture F).
2. Clean and reinstall the air filter.

3. If the dirt is conspicuous, wash it with a solution of detergent in lukewarm water. After cleaning dry it in a shaded and cool place, then reinstall it.

#### Maintenance after seasonal using

1. If the device will not use for longer time, be sure to pull out the rubber plug of drain hole (8) in order to drain the water.
2. Keep the appliance running with fan mode only for a half day during a sunny day to dry the appliance inside and prevent from going moldy.
3. Stop the device and pull out the power cord plug, then take out the batteries of remote controller and store device properly.
4. Clean the air filter and reinstall it.
5. Remove the air hoses and store them properly, and cover the hole tightly.

#### TECHNICAL DATA:

Cooling capacity at BTU: 9000 BTU / hour

Cooling capacity in watts: 2600 W

Energy consumption (cooling) W: 950 W

Volume: <= 64 dB

Air flow: 270 m<sup>3</sup> / h

Energy class: A

Timer: 24 hours

R290 coolant weight: max. 160 grams

Voltage 220-240V ~50Hz



Caution, risk of fire.  
Do NOT pierce or burn.  
Be aware that the refrigerant may not contain an odour.  
The maximum refrigerant charge amount: 160g.



To protect your environment: please separate carton boxes and plastic bags and dispose them in corresponding waste bins. Used appliance should be delivered to the dedicated collecting points due to hazardous components, which may effect the environment. Do not dispose this appliance in the common waste bin.

## DEUTSCH

### ALLGEMEINE SICHERHEITSVORSCHRIFTEN WICHTIGE SICHERHEITSHINWEISE SORGFÄLTIG DURCHLESEN UND FÜR DIE ZUKUNFT AUFBEWAHREN

1. Lesen Sie vor dem Gebrauch des Geräts die Bedienungsanleitung und befolgen Sie die darin enthaltenen Anweisungen. Der Hersteller haftet nicht für Schäden, die durch nicht bestimmungsgemäßen Gebrauch oder unsachgemäßen Betrieb des Gerätes verursacht werden.
2. Das Gerät ist nur für den Heimgebrauch bestimmt. Verwenden Sie es nicht für andere Zwecke, die nicht für den vorgesehenen Zweck bestimmt sind.
3. Das Gerät darf nur an eine Netzsteckdose mit 220-240 V ~ 50 Hz angeschlossen werden. Um die Betriebssicherheit zu erhöhen, sollten nicht mehrere elektrische Geräte gleichzeitig an einen Stromkreis angeschlossen werden.

4. Seien Sie äußerst vorsichtig, wenn Sie das Gerät in der Nähe von Kindern verwenden. Erlauben Sie Kindern nicht, mit dem Gerät zu spielen. Erlauben Sie Kindern oder Personen, die mit dem Gerät nicht vertraut sind, nicht, es zu benutzen.
5. **WARNUNG:** Dieses Gerät darf von Kindern über 8 Jahren und Personen mit eingeschränkten körperlichen, sensorischen oder geistigen Fähigkeiten oder Personen ohne Erfahrung oder Kenntnis des Geräts verwendet werden, wenn dies unter Aufsicht einer verantwortlichen Person erfolgt zu ihrer Sicherheit oder ihnen wurden Informationen über den sicheren Gebrauch des Geräts erteilt, und sie sind sich der Gefahren bei der Verwendung des Geräts bewusst. Kinder sollten nicht mit dem Gerät spielen. Die Reinigung und Wartung des Geräts darf nur von Kindern durchgeführt werden, die älter als 8 Jahre sind und diese Tätigkeiten unter Aufsicht ausführen.
6. Ziehen Sie nach dem Gebrauch immer den Netzstecker, indem Sie die Steckdose mit der Hand festhalten. NICHT am Netzkabel ziehen.
7. Tauchen Sie das Kabel, den Stecker und das gesamte Gerät nicht in Wasser oder andere Flüssigkeiten. Setzen Sie das Gerät keinen atmosphärischen Bedingungen aus (Regen, Sonne usw.) und verwenden Sie es nicht bei hoher Luftfeuchtigkeit (Badezimmer, feuchte Mobilheime).
8. Überprüfen Sie regelmäßig den Zustand des Netzkabels. Wenn das Netzkabel beschädigt ist, sollte es von einer Fachwerkstatt ausgetauscht werden, um Gefahren zu vermeiden.
9. Verwenden Sie das Gerät nicht mit einem beschädigten Netzkabel oder wenn es fallen gelassen oder auf andere Weise beschädigt wurde oder wenn es nicht richtig funktioniert. Reparieren Sie das Gerät nicht selbst, da die Gefahr eines Stromschlags besteht. Bringen Sie das beschädigte Gerät zur Überprüfung oder Reparatur zu einem geeigneten Servicecenter. Alle Reparaturen dürfen nur von autorisierten Servicestellen durchgeführt werden. Durch unsachgemäße Reparaturen können ernsthafte Gefahren für den Benutzer entstehen.
10. Stellen Sie das Gerät auf eine kühle, stabile Oberfläche, entfernt von heißen Küchengeräten wie Elektroherd, Gasbrenner usw..
11. Stellen Sie sicher, dass nichts den Lufteinlass und -auslass des Geräts blockiert
12. Verwenden Sie das Gerät nur auf einer ebenen Fläche, damit kein Kondenswasser austreten kann
13. Um einen zusätzlichen Schutz zu gewährleisten, wird empfohlen, im Stromkreis einen Fehlerstromschutzschalter (RCD) mit einem Bemessungsfehlerstrom von nicht mehr als 30 mA zu installieren. Bitten Sie einen Elektriker darum.
14. Reinigen Sie den Luftfilter regelmäßig. Die Häufigkeit der Reinigung hängt von der Luftreinheit ab.
15. Warten Sie nach dem Ausschalten des Geräts mindestens 5 Minuten, bevor Sie es wieder einschalten.
16. Verwenden Sie das Gerät nicht an sonnigen Orten. Wenn das Gerät überhitzt,

schaltet der Überhitzungsschutz das Gerät ein.

17. Um eine effektive Kühlung zu gewährleisten, sollte ein Abstand von mindestens 60 cm zwischen den Seitenwänden des Geräts und der Wand oder den Möbeln oder Vorhängen eingehalten werden.

18. Aufgrund der eingeschränkten Leistung des Geräts wird die Zieltemperatur möglicherweise nicht erreicht, wenn der Unterschied zwischen der Zieltemperatur und der Umgebungstemperatur zu groß ist.

19. Beachten Sie die folgenden grundlegenden Vorsichtsmaßnahmen, um die Gefahr von Bränden, Stromschlägen oder Verletzungen bei der Verwendung der Klimaanlage zu verringern:

- a) An eine geerdete Steckdose mit 3 Stiften anschließen.
- b) Entfernen Sie nicht den Erdungsstift.
- c) Verwenden Sie den Adapter nicht.
- d) Verwenden Sie kein Verlängerungskabel.
- e) Trennen Sie die Klimaanlage vor Wartungsarbeiten vom Stromnetz.
- f) Verwenden Sie zwei oder mehr Personen, um die Klimaanlage zu bewegen und zu installieren.

20. Verwenden Sie keine anderen Mittel, die den Auftau- oder Reinigungsprozess beschleunigen, als die vom Hersteller empfohlenen.

21. Das Gerät sollte in einem Raum ohne ständig in Betrieb befindliche Zündquellen gelagert werden, zum Beispiel: offenes Feuer, Gasgeräte oder elektrische Heizungen.

#### VOR DER ERSTEN VERWENDUNG – (Bild E)

Verbinden Sie die Anschlüsse wie folgt mit dem Abluftkanal:

1. Verlängern Sie den Abluftkanal (9), indem Sie die beiden Enden des Kanals herausziehen.
2. Schrauben Sie den Abluftkanal (9) in den Anschluss des Abluftkanals (10).
3. Verbinden Sie den Anschluss des Abluftkanals (10) mit dem Gerät.

#### BEMERKUNGEN:

1. Halten Sie das Gerät mindestens 1 Meter von Fernsehgeräten oder Radios entfernt, um elektromagnetische Störungen zu vermeiden.
2. Setzen Sie das Gerät nicht direktem Sonnenlicht aus, um ein Verblässen der Oberflächenfarbe zu vermeiden.
3. Neigen Sie das Gerät während des Transports nicht um mehr als 35° oder auf den Kopf. Wenn das Gerät während des Transports umgedreht wurde, legen Sie es richtig ab und warten Sie 2-4 Stunden, bevor Sie es in Betrieb nehmen.
4. Stellen Sie das Gerät auf eine ebene Fläche mit weniger als 5° Neigung.
5. Das Gerät arbeitet an bestimmten Raumstandorten effizienter, wählen Sie den besten Standort aus:
  - Neben einem Fenster, einer Tür oder einer Fenstertür.
  - Halten Sie den erforderlichen Abstand vom Abluftauslass zur Wand oder anderen Hindernissen von mindestens 60 cm ein.
  - Verlängern Sie den Luftschlauch, um sicherzustellen, dass das andere Ende des Luftschlauchs Freiraum zwischen der Fenstertür, der Fenstertür oder dem Wandloch hat.
  - Luftaus- oder -einlass kann nicht durch Schutzgitter oder Hindernisse blockiert werden.

Um die Lebensdauer des Geräts zu verlängern, lassen Sie das Kondenswasser aus der Ablassöffnung (8) ab, bevor Sie das Gerät am Ende der Saison einlagern.

#### GERÄTEBESCHREIBUNG (Bilder A und B)

- |                          |                                  |
|--------------------------|----------------------------------|
| 1. Bedienfeld            | 2. Kaltluftauslass               |
| 3. Signalempfänger       | 4. Fernbedienung                 |
| 5. Transportgriff        | 6. Abluftkanal                   |
| 7. Verdampferreinlass    | 8. Ablassschraube                |
| 9. Abluftkanal           | 10. Anschlussstutzen Abluftkanal |
| 11. Fensterabluftadapter |                                  |



## BEDIENFELD (Bild C)

- |   |   |
|---|---|
| A. Netzschalter                           | B. Lüftergeschwindigkeitstaste                |
| C. Modustaste                             | D. Timer / Temperaturerhöhungstaste           |
| E. Taste Timer / Temperatur verringern    | F. Anzeige für niedrige Lüftergeschwindigkeit |
| G. Anzeige für hohe Lüftergeschwindigkeit | K. Anzeige für Kühlmodus                      |
| L. Entfeuchtungsmodusanzeige              | M. Lüftermodusanzeige                         |
| N. Timer-Taste                            | R. WF – Wasserstandsanzeige                   |
| S. Solltemperatur / Timer-Anzeige         | W. Timer-Anzeige                              |

## FERNBEDIENUNG – Bild D

Die Fernbedienung sendet Signale an den Signalempfänger (3).

Taste "A" - das Gerät wird gestartet, wenn es mit Strom versorgt wird, oder wird gestoppt, wenn es in Betrieb ist, wenn Sie diese Taste drücken.

Taste "C" - Drücken Sie diese, um den Betriebsmodus auszuwählen: "K", "L" oder "M". Die entsprechende Anzeige leuchtet auf.

Taste "B" - Drücken Sie diese, um die Lüftergeschwindigkeit nacheinander auszuwählen. Die entsprechende Anzeige leuchtet auf.

Taste "D" / "E" - drücken, um die gewünschte Raumtemperatur oder den Timer einzustellen. Das Display „S“ zeigt die gewünschte Temperatur an, nicht die aktuelle Raumtemperatur.

Taste "N" - Drücken Sie diese Taste, um die Zeit für das automatische Aus- und Einschalten einzustellen.

## BEDIENUNG DES BEDIENFELDES

### KÜHL / TROCKEN / LÜFTER

1. Schalten Sie das Gerät ein.

- Verbinden Sie das Gerät und das Gerät piept einmal.
- Drücken Sie die Taste "A", dann schaltet sich das Gerät ein.
- LED-Anzeige zeigt die eingestellte Temperatur an.

2. Wählen Sie den Betriebsmodus

Drücken Sie die Taste "C", um die gewünschte Betriebsart nacheinander auszuwählen:

Kühlmodus „K“ -> Trocknungsmodus „L“ -> Lüftermodus „M.“

3. Temperatur anpassen

Die Temperatur kann in einem Bereich von 16°-31°C eingestellt werden. Drücken Sie die Taste „D“ oder „E“, um die Temperatur durch einmaliges Drücken um 1 °C zu erhöhen oder zu verringern. Das LED-Panel des Geräts zeigt 5 Sekunden lang die Zieltemperatur an und zeigt dann die eingestellte Temperatur an, nicht die aktuelle Temperatur im Raum.

Nachdem Sie die Temperatur unter Kühlmodus „K“ eingestellt haben, wenn Sie erneut Kühlmodus „K“ oder Lüftermodus „M“ auswählen, zeigt das LED-Display die voreingestellte Solltemperatur von 25°C an.

4. Lüftergeschwindigkeit anpassen

Drücken Sie die Taste "B", um die gewünschte Lüftergeschwindigkeit nach Reihenfolge auszuwählen:

Niedrige Geschwindigkeit "F" -> Hohe Geschwindigkeit G

5. Leistung

Wenn Sie die Taste "A" erneut drücken, ertönt das Gerät "di" und hört auf zu arbeiten.

6. Drücken Sie diese Taste "N", um einen Timer einzustellen.

### Funktionsprinzipien der Modi:

#### Entfeuchtung "L"-Modus:

1. Der Lüfter läuft mit niedriger Geschwindigkeit und die Geschwindigkeit kann nicht eingestellt werden.

Die Temperatureinstellung ist nicht wirksam. Das Gerät passt die eingestellte Temperatur beim Eintritt in den Entfeuchtungsmodus automatisch auf 2°C unter der Raumtemperatur an.

2. Wenn die Raumtemperatur 16°C ist, kann der Ventilator nicht entfeuchtet werden, der Ventilator läuft mit niedriger Geschwindigkeit.

#### WARNUNG:

Beim Betrieb des Gerätes bei wechselnder Luftfeuchtigkeit sollte die Ablassschraube (8) ständig geöffnet sein und einen ständigen Wasserablauf gewährleisten. Verwenden Sie zum bequemen Ablassen des Wassers das im Kit enthaltene Rohr.

#### KÜHLER "K"-Modus:

1. Wenn die Raumtemperatur höher als die am Bedienfeld eingestellte Temperatur ist, beginnt der Kompressor zu laufen. Das Gerät kühlt den Raum.
2. Wenn die Raumtemperatur niedriger als die am Bedienfeld eingestellte Temperatur ist, stoppt der Kompressor und der Ventilator läuft mit der ursprünglich eingestellten Geschwindigkeit.

#### Lüfter "M"-Modus.

1. Der Ventilator läuft mit der eingestellten Geschwindigkeit und der Kompressor läuft nicht.
2. Die Temperatureinstellung ist nicht wirksam.

#### Timerbetrieb "N":

1. Drücken Sie die Taste „N“, um die automatische Ausschaltzeit einzustellen, während das Gerät in Betrieb ist.
2. Drücken Sie die Taste „N“, um die automatische Einschaltzeit einzustellen, während das Gerät bereit ist.
3. Durch Drücken der Taste „D“ (+) oder „E“ (-) kann die Uhrzeit im Bereich von 1 Stunde bis 24 Stunden eingestellt werden.

#### Notiz:

Die Hauptsteuerplatte verfügt über eine Speicherfunktion. Wenn das Gerät betriebsbereit ist, sich jedoch im Stoppzustand befindet, kann die Hauptsteuerplatte die Initialisierung des Arbeitsmodus speichern. Wenn Sie das Gerät einschalten, funktioniert es wie beim letzten Mal, der Arbeitsmodus muss nicht erneut zurückgesetzt werden.

#### FERNBEDIENUNG

1. Schieben Sie die rückseitige Abdeckung zum Öffnen und entfernen Sie die Isolierfolie von den Batterien.
2. Legen Sie die Batterien mit der richtigen Seite in das Fach ein. Die Pole der Batterien müssen mit den Zeichen "+" und "-" auf der Fernbedienung übereinstimmen.
3. Nehmen Sie die Batterien bei längerem Nichtgebrauch heraus.
4. Um Umweltverschmutzung zu vermeiden, nehmen Sie die verbrauchten Batterien heraus und entsorgen Sie diese sicher und sachgerecht.

Um das Gerät zu bedienen, richten Sie die Fernbedienung (4) auf den Signalempfänger (3). Die Fernbedienung (4) bedient das Gerät in einer Entfernung von 5 Metern, wenn sie auf den Signalempfänger (3) des Geräts gerichtet ist.

#### SCHUTZEINRICHTUNGEN

In den folgenden Fällen kann die Schutzeinrichtung auslösen und das Gerät stoppen:

1. im Kühlmodus: Innenlufttemperatur ist über 43°C
2. im Kühlmodus: Raumtemperatur liegt unter 16°C
3. im Entfeuchtungsmodus: Raumtemperatur liegt unter 16°C

Läuft das Gerät bei einer relativen Luftfeuchtigkeit über 80 % längere Zeit im Kühlen „K“ oder Entfeuchten „L“ bei geöffneter Tür oder Fenster, kann Tau aus dem Auslass tropfen.

Die Schutzvorrichtung funktioniert in folgenden Fällen:

1. Wenn Sie das Gerät sofort nach Beendigung der Arbeit neu starten oder den ausgewählten Modus während der Arbeit ändern, müssen Sie 3 Minuten warten.
2. Wenn der Stecker abgezogen wurde, kehrt das Gerät nach dem Neustart in den ursprünglichen Modus zurück, TIMER ON und TIMER OFF - müssen neu eingestellt werden.

**ANMERKUNG:** In diesem Gerät ist Kondenswasser-Recycling versteckt. Das Kondenswasser wird teilweise zwischen dem Kondensator und der eingebauten Wasserplatte recycelt. Steigt der Wasserstand auf das obere Niveau, wird dieser durch den Schwimmerschalter angehoben, dann (W.F.) leuchtet die Vollwasserstandsanzeige "R", um Sie daran zu erinnern, das Wasser abzulassen. Bitte unterbrechen Sie die Stromversorgung, stellen Sie das Gerät an einen geeigneten Ort, entfernen Sie den Ablassstopfen, lassen Sie das Wasser vollständig ab. Bringen Sie nach dem Ablassen den Ablassstopfen (8) wieder an. Andernfalls kann das Gerät auslaufen und Ihren Raum nass machen. Wenn es 5 Minuten nach dem W.F. Anzeige eingeschaltet ist, zeigt das Display E4 an.

Wenn das Gerät in einer Position aufgestellt ist, in der Abflusswasser eingelassen wird, können Sie zum Ablassen des Wassers auch das Abflussrohr an den Abflussanschluss anschließen. Abflussrohr wird dem Bausatz hinzugefügt, mit Innendurchmesser 9 mm, Außendurchmesser 12 mm, Material: PVC.

#### Fehlerbehebung

- 1) Problem: Nicht arbeiten.

#### Analyse:

- a) Möglicherweise ist der Schutzschalter durchgebrannt oder die Sicherung ist durchgebrannt. Bitte warten Sie 3 Minuten und starten Sie erneut, der Schutzgerät kann die Funktion des Geräts verhindern.

c) Möglicherweise sind die Batterien der Fernbedienung erschöpft.

d) Vielleicht ist der Stecker nicht richtig eingesteckt.

2) Problem: funktioniert nur für kurze Zeit

Analyse:

a) Wenn die eingestellte Temperatur nahe der Raumtemperatur liegt, können Sie die eingestellte Temperatur senken.

b) Möglicherweise ist der Luftauslass durch ein Hindernis blockiert. Nimm das Hindernis weg.

3) Problem: Funktioniert, kühlt aber nicht

Analyse:

a) Vielleicht sind Tür oder Fenster offen.

b) Vielleicht befindet sich in unmittelbarer Nähe ein anderes Gerät, das heizt, wie eine Heizung oder eine Lampe usw.

c) Der Luftfilter ist verschmutzt, bitte reinigen Sie ihn.

d) Luftauslass oder Lufteinlass ist blockiert.

f) die eingestellte Temperatur ist zu hoch.

4) Problem: Wasserleck während des Umzugs.

Analyse:

a) Lassen Sie das Kondensat ab, bevor Sie umziehen.

b) Um Wasserlecks zu vermeiden, stellen Sie das Gerät bitte auf eine ebene Fläche.

5) Problem: Nicht arbeiten und Wasser-Voll-Anzeige „W.F.“ leuchtet

Analyse:

a) Ziehen Sie den Gummistopfen heraus, um das Wasser abzulassen.

b) Wenn es häufig in diesem Zustand ist, wenden Sie sich bitte an einen qualifizierten Kundendienst.

Fehlerbehebung

6) Fehler: Gerät startet nicht.

Analyse:

a) vielleicht nicht eingesteckt. Stecken Sie es also ein.

b) möglicherweise Stecker- oder Steckdosenschäden. Durch Dienstanbieter ersetzen.

c) Vielleicht ist die Sicherung defekt. Ersetzen Sie die Sicherung durch einen Serviceanbieter (Spezifikation: 3,15A/250VAC).

7) Problem: Gerät stoppt automatisch.

Analyse:

a) Timing abgeschaltet oder Solltemperatur erreicht. Starten Sie es neu oder warten Sie auf die automatische Umschaltung.

8) Störung: Keine Kaltluft im Modus COOL "K".

Analyse:

a) Die Raumtemperatur ist niedriger als die eingestellte Temperatur. Es ist ein normales Phänomen, das Gerät schaltet automatisch um, wenn die Raumtemperatur höher als die eingestellte Temperatur ist.

b) Gerät geht in Frostschutz. Das Gerät schaltet nach Ablauf des Frostschutzes automatisch um.

9) Störung: LED-Anzeige zeigt Fehlercode „E0“ an

Analyse:

a) Raumtemperaturfühler versagt oder beschädigt. Ersetzen Sie den Raumtemperaturfühler durch den Serviceanbieter.

10) Störung: LED-Anzeige zeigt Fehlercode "E4" an

Analyse:

a) Wasser-Voll-Warnung. Lassen Sie das Wasser ab.

## REINIGUNG UND INSTANDHALTUNG

### Gerätewartung

1. Schalten Sie das Gerät zuerst aus, bevor Sie es von der Stromversorgung trennen.

2. Mit einem weichen und trockenen Tuch abwischen. Verwenden Sie zur Reinigung lauwarmes Wasser unter 40°C, wenn das Gerät stark verschmutzt ist.

3. Verwenden Sie niemals flüchtige Substanzen wie Benzin oder Polierpulver, um das Gerät zu reinigen.

### Wartung des Luftfilters

Der Luftfilter muss alle 2 Wochen gereinigt werden, wenn das Gerät in einer extrem staubigen Umgebung betrieben wird. Reinigen Sie wie folgt:

1. Stoppen Sie zuerst das Gerät, drücken Sie den Luftfilter nach oben (Bild F).

2. Reinigen Sie den Luftfilter und setzen Sie ihn wieder ein.

3. Wenn der Schmutz auffällig ist, waschen Sie ihn mit einer Spülmittellösung in lauwarmem Wasser. Trocknen Sie es nach der Reinigung an einem schattigen und kühlen Ort und installieren Sie es wieder.

### Wartung nach saisonaler Nutzung

1. Wenn das Gerät längere Zeit nicht verwendet wird, ziehen Sie unbedingt den Gummistopfen der Ablassöffnung (8) heraus, um das Wasser abzulassen.

2. Lassen Sie das Gerät an einem sonnigen Tag nur einen halben Tag im Ventilatormodus laufen, um das Gerät innen zu trocknen

und Schimmelbildung zu vermeiden.

3. Stoppen Sie das Gerät und ziehen Sie den Netzstecker heraus, nehmen Sie dann die Batterien der Fernbedienung heraus und bewahren Sie das Gerät ordnungsgemäß auf.

4. Reinigen Sie den Luftfilter und setzen Sie ihn wieder ein.

5. Entfernen Sie die Luftschläuche, lagern Sie sie ordnungsgemäß und decken Sie das Loch fest ab.

#### TECHNISCHE DATEN:

Kühlleistung bei BTU: 9000 BTU / Stunde

Kühlleistung in Watt: 2600 W

Energieverbrauch (Kühlung) W: 950 W

Lautstärke: <= 64 dB

Luftstrom: 270 m<sup>3</sup> / h

Energieklasse: A

Timer: 24 Stunden

Kühlmittelgewicht R290: max. 160 Gramm

Spannung 220-240V ~50Hz



Vorsicht, Brandgefahr.

NICHT durchstechen oder verbrennen.

Beachten Sie, dass das Kältemittel möglicherweise keinen Geruch enthält.

Die maximale Kältemittelfüllmenge: 160g.



Den Pappkarton im Altpapier entsorgen. Polyäthylenbeutel (PE) in dem Behälter für Kunststoff entsorgen. Das abgenutzte Gerät zum Recycling zu einer offiziellen Sammelstelle bringen, da es gefährliche Substanzen enthält, die die Umwelt gefährden können. Das Gerät sollte in einer Form abgegeben werden, die eine weitere Nutzung unmöglich macht. Wenn es Batterien enthält, sollten diese rausgenommen und separat an einer Sammelstelle abgegeben werden. Das Gerät darf nicht in den Hausmüll rausgeworfen werden!!

## FRANÇAIS

### CONDITIONS GENERALES DE SECURITE INSTRUCTIONS DE SÉCURITÉ IMPORTANTES À LIRE ATTENTIVEMENT ET À CONSERVER POUR L'AVENIR

1. Avant d'utiliser l'appareil, lisez le mode d'emploi et suivez les instructions qu'il contient. Le fabricant n'est pas responsable des dommages résultant de l'utilisation contraire de l'appareil ou de son utilisation incorrecte.
2. L'appareil est réservé à un usage domestique. Ne pas utiliser à d'autres fins que celles prévues.
3. L'appareil ne doit être branché qu'à une prise secteur avec une tension de 220 240V ~ 50Hz mise à la terre. Pour augmenter la sécurité de fonctionnement, plusieurs appareils électriques ne doivent pas être connectés à un circuit de courant en même temps.
4. Soyez extrêmement prudent lorsque vous utilisez l'appareil lorsque des enfants se trouvent à proximité. Ne laissez pas les enfants jouer avec l'appareil, n'autorisez pas les enfants ou des personnes inconnus à l'utiliser.
5. AVERTISSEMENT: Cet équipement peut être utilisé par des enfants de plus de 8 ans et des personnes ayant des capacités physiques, sensorielles ou mentales limitées, ou des personnes qui n'ont aucune expérience ou connaissance de l'équipement, si cela est fait sous la supervision d'une personne responsable. pour leur sécurité ou leur ont été donnés des informations sur l'utilisation en toute sécurité de l'appareil et sont

conscients des dangers de son utilisation. Les enfants ne doivent pas jouer avec l'équipement. Le nettoyage et l'entretien de l'appareil ne doivent pas être effectués par des enfants, sauf s'ils ont plus de 8 ans et que ces activités sont effectuées sous surveillance.

6. Débranchez toujours le cordon d'alimentation en tenant la prise avec votre main après utilisation. NE tirez PAS sur le cordon d'alimentation.

7. N'immergez pas le câble, la fiche et l'appareil dans l'eau ou tout autre liquide. N'exposez pas l'appareil à des conditions atmosphériques (pluie, soleil, etc.) et ne l'utilisez pas dans des conditions d'humidité élevée (salles de bains, maisons mobiles humides).

8. Vérifiez périodiquement l'état du cordon d'alimentation. Si le cordon d'alimentation est endommagé, il doit être remplacé par un atelier spécialisé afin d'éviter tout danger.

9. N'utilisez pas l'appareil avec un cordon d'alimentation endommagé, s'il est tombé ou s'il a été endommagé d'une autre manière ou s'il ne fonctionne pas correctement. Ne réparez pas l'appareil vous-même, vous risqueriez de vous électrocuter. Apportez le périphérique endommagé à un centre de service approprié pour vérification ou réparation. Toutes les réparations ne peuvent être effectuées que par des points de service autorisés. Des réparations effectuées incorrectement peuvent entraîner un grave danger pour l'utilisateur.

10. Placez l'appareil sur une surface fraîche et stable, loin des appareils de cuisine chauds tels que: cuisinière électrique, brûleur à gaz, etc.

11. Assurez-vous que rien ne bloque l'entrée et la sortie d'air de l'appareil.

12. Utilisez l'appareil uniquement sur une surface plane afin d'empêcher la condensation de se répandre

13. Pour assurer une protection supplémentaire, il est conseillé d'installer un dispositif à courant différentiel résiduel (RCD) dans le circuit électrique avec un courant résiduel nominal ne dépassant pas 30 mA. Demandez à un électricien pour cela.

14. Nettoyez le filtre à air régulièrement. La fréquence de nettoyage dépend de la propreté de l'air.

15. Après avoir éteint la machine, attendez au moins 5 minutes avant de la rallumer.

16. N'utilisez pas l'appareil dans des endroits ensoleillés. Lorsque l'appareil surchauffe, la protection contre la surchauffe allumera l'appareil.

17. Pour assurer un refroidissement efficace, une distance minimale de 60 cm doit être respectée entre les parois latérales de l'appareil et le mur, le meuble ou les rideaux.

18. En raison des performances limitées de l'appareil, si la différence entre la température cible et la température ambiante est trop grande, la température cible peut ne pas être atteinte.

19. Pour réduire les risques d'incendie, de choc électrique ou de blessure lors de l'utilisation du climatiseur, observez les précautions de base suivantes:

a) Connectez-vous à une prise mise à la terre avec 3 broches.

b) Ne retirez pas la broche de mise à la terre.

- c) N'utilisez pas l'adaptateur.
  - d) N'utilisez pas de rallonge.
  - e) Débranchez le climatiseur avant de procéder à l'entretien.
  - f) Utilisez deux personnes ou plus pour déplacer et installer le climatiseur.
20. N'utilisez pas d'agents accélérant le processus de dégivrage ou de nettoyage autres que ceux recommandés par le fabricant.
21. L'appareil doit être rangé dans une pièce dépourvue de sources d'inflammation en fonctionnement constant, par exemple: feu ouvert, appareils à gaz ou radiateurs électriques.

#### AVANT LA PREMIÈRE UTILISATION – (photo E)

Raccordez les connecteurs au conduit d'évacuation d'air comme suit :

1. Prolongez le conduit d'évacuation d'air (9) en tirant les deux extrémités du conduit.
2. Visser le conduit d'évacuation d'air (9) dans le connecteur du conduit d'évacuation d'air (10).
3. Connectez le connecteur du conduit d'évacuation d'air (10) à l'appareil.

#### REMARQUES:

1. Gardez l'appareil à au moins 1 mètre de la télévision ou des radios pour éviter les interférences électromagnétiques.
  2. N'exposez pas l'appareil à la lumière directe du soleil pour éviter la décoloration de la surface.
  3. Ne pas incliner l'appareil de plus de 35° ou à l'envers pendant le transport. Si l'appareil a été retourné pendant le transport, posez-le correctement et attendez 2 à 4 heures avant de le démarrer.
  4. Placez l'appareil sur une surface plane avec une inclinaison inférieure à 5°.
  5. L'unité fonctionne plus efficacement dans certains emplacements de la pièce, sélectionnez le meilleur emplacement :
    - A côté d'une fenêtre, d'une porte ou d'une porte-fenêtre.
    - Maintenez la distance requise entre la sortie d'air de retour et le mur ou d'autres obstacles d'au moins 60 cm.
    - Déployez le tuyau d'air pour vous assurer que l'autre extrémité du tuyau d'air a un espace libre entre la porte de la fenêtre, la porte-fenêtre ou le trou dans le mur.
    - La sortie ou l'entrée d'air ne peut pas être bloquée par une grille de protection ou tout obstacle.
- Pour prolonger la durée de vie de l'unité, vidangez l'eau condensée du trou de vidange (8) avant de ranger l'unité à la fin de la saison.

#### DESCRIPTION DE L'APPAREIL (photos A et B)

- |   |   |
|---|---|
| 1. Panneau de commande                  | 2. Sortie d'air froid                     |
| 3. Récepteur de signal                  | 4. Télécommande                           |
| 5. Poignée de transport                 | 6. Conduit d'échappement                  |
| 7. Entrée évaporateur                   | 8. Bouchon de vidange                     |
| 9. Conduit d'évacuation d'air           | 10. Raccord de conduit d'évacuation d'air |
| 11. Adaptateur d'échappement de fenêtre |   |

#### PANNEAU DE COMMANDE (photo C)

- |  |  |
|--|--|
| A. Bouton d'alimentation                                 | B. Bouton de vitesse du ventilateur                    |
| C. Bouton Mode   | D. Minuterie / Bouton d'augmentation de la température |
| E. Minuterie / Bouton de baisse de température           | F. Indicateur de faible vitesse du ventilateur         |
| G. Indicateur de vitesse élevée du ventilateur           | K. Indicateur de mode de refroidissement               |
| L. Indicateur de mode de déshumidification               | M. Indicateur de mode de ventilation                   |
| N. Bouton de minuterie                                   | R. WF – indicateur de niveau d'eau plein               |
| S. Réglage de la température / Affichage de la minuterie | W. Indicateur de la minuterie                          |

#### TÉLÉCOMMANDE – image D

La télécommande transmet des signaux au récepteur de signaux (3).

Bouton "A" - l'appareil démarre lorsqu'il est sous tension ou s'arrête lorsqu'il est en fonctionnement, si vous appuyez sur ce bouton.

Bouton "C" - appuyez dessus pour sélectionner le mode de fonctionnement : "K", "L" ou "M". L'indicateur approprié s'allumera.

Bouton "B" - appuyez dessus pour sélectionner la vitesse du ventilateur en séquence. L'indicateur approprié s'allumera.

Bouton "D" / "E" - appuyez pour régler la température souhaitée dans la pièce ou la minuterie. L'affichage « S » présente la température souhaitée, pas la température ambiante dans la pièce.

Bouton "N" - appuyez pour régler l'heure d'arrêt et d'activation automatiques.

## FONCTIONNEMENT DU PANNEAU DE COMMANDE FROID / SEC / VENTILATEUR

1. Allumez l'appareil.

- a) Connectez l'appareil, puis l'appareil émet un bip.
- b) Appuyez sur le bouton "A", puis l'appareil s'allumera.
- c) L'affichage LED indique la température réglée.

2. Choisissez le mode de fonctionnement

Appuyez sur la touche "C" pour sélectionner le mode de fonctionnement souhaité par séquence :

Mode refroidissement "K" -> Mode séchage "L" -> Mode ventilateur "M."

3. Ajuster la température

La température peut être réglée dans une plage de 16° à 31°C. Appuyez sur le bouton "D" ou "E" pour augmenter ou diminuer la température de 1°C en appuyant une fois. Le panneau LED de l'appareil affiche la température cible pendant 5 secondes, puis affiche la température définie, pas la température actuelle dans la pièce.

Après avoir réglé la température sous le mode de refroidissement « K », si vous sélectionnez à nouveau le mode de refroidissement « K » ou le mode de ventilation « M », l'affichage LED indique la température cible par défaut de 25°C.

4. Ajustez la vitesse du ventilateur

Appuyez sur le bouton « B » pour sélectionner une vitesse de ventilateur souhaitée, affiche par séquence :

Petite vitesse "F" -> Grande vitesse G

5. Puissance

Lorsque vous appuyez à nouveau sur le bouton "A", l'appareil sonnera "di" et cessera de fonctionner.

6. Appuyez sur ce bouton "N" pour régler une minuterie.

Principes de fonctionnement des modes :

Mode déshumidification "L":

1. Le ventilateur fonctionnera à basse vitesse et la vitesse ne peut pas être ajustée.

Le réglage de la température n'est pas efficace. L'appareil ajuste automatiquement la température de consigne à 2°C en dessous de la température ambiante lors de l'entrée en mode de déshumidification.

2. Lorsque la température ambiante 16°C, ne peut pas déshumidifier, le ventilateur fonctionnera à basse vitesse.

ATTENTION:

Lors de l'utilisation de l'appareil dans des conditions d'humidité variable, le bouchon de vidange (8) doit être constamment ouvert et assurer une évacuation constante de l'eau. Pour une évacuation confortable de l'eau, utilisez le tuyau inclus dans le kit.

Mode REFROIDISSEMENT « K » :

1. Lorsque la température ambiante est supérieure à la température réglée sur le panneau de commande, le compresseur commence à fonctionner. L'appareil refroidit la pièce.

2. Lorsque la température ambiante est inférieure à la température réglée sur le panneau de commande, le compresseur s'arrête et le ventilateur fonctionne à la vitesse réglée d'origine.

Ventilateur mode "M".

1. Le ventilateur fonctionne à la vitesse définie et le compresseur ne fonctionne pas.

2. Le réglage de la température n'est pas efficace.

Fonctionnement de la minuterie "N":

1. Appuyez sur le bouton « N » pour régler l'heure d'arrêt automatique pendant que l'appareil est en marche.

2. Appuyez sur le bouton « N » pour régler l'heure de mise en marche automatique pendant que l'appareil est prêt.

3. L'heure peut être réglée dans une plage de 1 heure à 24 heures en appuyant sur le bouton "D" (+) ou "E" (-).

Avis:

La carte de commande principale a une fonction de mémoire, lorsque l'appareil est prêt à fonctionner mais en état d'arrêt, la carte de commande principale peut mémoriser l'initialisation du mode de fonctionnement. Lorsque vous allumez l'appareil, il fonctionnera comme la même mise en œuvre du mode de fonctionnement que la dernière fois, pas besoin de réinitialiser à nouveau le mode de fonctionnement.

## TÉLÉCOMMANDE

1. Faites glisser le couvercle arrière pour ouvrir et retirer le film isolant sur les batteries.
  2. Insérez les piles dans le compartiment du bon côté. Les pôles des piles doivent correspondre aux signes "+" et "-" sur la télécommande.
  3. Pendant longtemps sans utilisation, retirez les piles.
  4. Pour éviter la pollution de l'environnement, retirez les piles usagées et éliminez-les de manière sûre et appropriée.
- Pour faire fonctionner l'appareil, dirigez la télécommande (4) vers le récepteur de signal (3). La télécommande (4) fera fonctionner l'appareil à une distance de 5 mètres en pointant vers le récepteur de signal (3) de l'appareil.

## DISPOSITIFS DE PROTECTION

Le dispositif de protection peut se déclencher et arrêter l'appareil dans les cas ci-dessous :

1. en mode refroidissement : la température de l'air intérieur est supérieure à 43°C
2. en mode refroidissement : la température ambiante est inférieure à 16°C
3. en mode déshumidification : la température ambiante est inférieure à 16°C

Si l'appareil fonctionne en mode refroidissement « K » ou déshumidification « L » avec la porte ou la fenêtre ouverte pendant une longue période alors que l'humidité relative est supérieure à 80 %, de la rosée peut s'échapper de la sortie.

Le dispositif de protection fonctionnera dans les cas suivants :

1. Redémarrez l'appareil immédiatement après avoir arrêté le travail ou changé le mode sélectionné pendant le travail, vous devez attendre 3 minutes.
2. Si la prise a été retirée, après le redémarrage, l'appareil reviendra au mode d'origine, TIMER ON et TIMER OFF - doivent être à nouveau réglés.

**REMARQUE :** il y a du recyclage d'eau de condensation caché à l'intérieur de cet appareil. L'eau de condensation est en partie recyclée entre le condenseur et la plaque à eau intégrée. Lorsque le niveau d'eau monte au niveau supérieur, il est relevé par l'interrupteur à flotteur, puis (W.F.) l'indicateur de niveau d'eau plein "R" s'allume pour vous rappeler de vidanger l'eau. Veuillez couper l'alimentation électrique, déplacer l'appareil dans un endroit approprié, retirer le bouchon de vidange, vidanger complètement l'eau. Après la vidange, réinstallez le bouchon de vidange (8), sinon l'appareil risque de fuir et de mouiller votre pièce. S'il n'est pas vidé 5 minutes après le W.F. allumé, l'écran affichera E4.

Si l'appareil est placé dans une position permettant l'évacuation de l'eau, vous pouvez également raccorder le tuyau d'évacuation à l'orifice de vidange pour évacuer l'eau. Un tuyau de vidange est ajouté au kit, avec un diamètre intérieur de 9 mm, un diamètre extérieur de 12 mm, matériau : PVC.

## Dépannage

1) Problème : Ne fonctionne pas.

Une analyse:

- a) peut-être que le déclenchement du protecteur ou le fusible est grillé, veuillez attendre 3 minutes et recommencer, le dispositif de protection peut empêcher l'appareil de fonctionner.
- c) peut-être que les piles de la télécommande sont épuisées.
- d) peut-être que la prise n'est pas correctement branchée.

2) Problème : ne fonctionne que pendant une courte période

Une analyse:

- a) si la température de consigne est proche de la température ambiante, vous pouvez baisser la température de consigne.
- b) peut-être que la sortie d'air est bloquée par un obstacle. Enlevez l'obstacle.

3) Problème : Fonctionne mais ne refroidit pas

Une analyse:

- a) peut-être que la porte ou la fenêtre sont ouvertes.
- b) peut-être qu'à proximité il y a un autre appareil chauffant comme un radiateur ou une lampe, etc.
- c) le filtre à air est sale, veuillez le nettoyer.
- d) la sortie ou l'entrée d'air est bloquée.
- f) la température réglée est trop élevée.

4) Problème : Fuite d'eau pendant le déplacement.

Une analyse:

- a) vidanger les condensats avant déplacement.
  - b) pour éviter les fuites d'eau, veuillez placer l'appareil sur un sol plat.
- 5) Problème : Ne fonctionne pas et le voyant de remplissage d'eau « W.F » s'allume

Une analyse:

- a) retirer le bouchon en caoutchouc pour évacuer l'eau.
- b) s'il est souvent dans cet état, veuillez contacter un service technique qualifié.



## Dépannage

6) Problème : L'appareil ne démarre pas.

Une analyse:

- a) peut-être pas branché. Alors, branchez-le.
- b) peut-être des dommages de prise ou de prise. Remplacer par le fournisseur de services.
- c) peut-être un fusible cassé. Remplacez le fusible par le prestataire de services (spécification : 3,15A/250VAC).

7) Problème : L'appareil s'arrête automatiquement.

Une analyse:

- a) temporisation d'arrêt ou température de consigne atteinte. Redémarrez-le ou attendez la commutation automatique.
- 8) Problème : pas d'air froid en mode COOL "K".

Une analyse:

- a) la température ambiante est inférieure à la température réglée. C'est un phénomène normal, la machine bascule automatiquement lorsque la température ambiante est supérieure à la température définie.
- b) L'appareil entre en protection antigel. L'appareil s'allumera automatiquement une fois la protection antigel terminée.

9) Problème : l'affichage LED indique le code d'échec « E0 »

Une analyse:

- a) le capteur de température ambiante tombe en panne ou est endommagé. Remplacez la sonde de température ambiante par le prestataire de services.

10) Problème : l'affichage LED indique le code d'échec "E4"

Une analyse:

- a) avertissement de remplissage d'eau. Égoutter l'eau.

## NETTOYAGE ET ENTRETIEN

Maintenance de l'appareil

1. Éteignez d'abord l'appareil avant de le débrancher de l'alimentation électrique.
2. Essuyez avec un chiffon doux et sec. Utilisez de l'eau tiède à moins de 40°C pour nettoyer si l'appareil est très sale.
3. N'utilisez jamais de substances volatiles telles que de l'essence ou de la poudre à polir pour nettoyer l'appareil.

Entretien filtre à air

Il est nécessaire de nettoyer le filtre à air toutes les 2 semaines si l'appareil fonctionne dans un environnement extrêmement poussiéreux. Nettoyer comme suit :

1. Arrêtez d'abord l'appareil, remontez le filtre à air (Photo F).
2. Nettoyez et réinstallez le filtre à air.
3. Si la saleté est visible, lavez-la avec une solution de détergent dans de l'eau tiède. Après le nettoyage, séchez-le dans un endroit ombragé et frais, puis réinstallez-le.

Entretien après utilisation saisonnière

1. Si l'appareil n'est pas utilisé pendant plus longtemps, assurez-vous de retirer le bouchon en caoutchouc du trou de vidange (8) afin de vidanger l'eau.
2. Laissez l'appareil fonctionner en mode ventilateur uniquement pendant une demi-journée pendant une journée ensoleillée pour sécher l'intérieur de l'appareil et éviter qu'il moisisse.
3. Arrêtez l'appareil et débranchez la fiche du cordon d'alimentation, puis retirez les piles de la télécommande et rangez l'appareil correctement.
4. Nettoyez le filtre à air et réinstallez-le.
5. Retirez les tuyaux d'air et rangez-les correctement, et couvrez le trou hermétiquement.

## DONNÉES TECHNIQUES:

Capacité de refroidissement à BTU : 9000 BTU/heure

Capacité de refroidissement en watts : 2600 W

Consommation d'énergie (refroidissement) W : 950 W

Volume : <= 64 dB

Débit d'air : 270 m3/h

Classe énergétique : A

Minuterie : 24 heures

Poids du liquide de refroidissement R290 : max. 160 grammes

Tension 220-240V ~50Hz



Attention, risque d'incendie.

NE PAS percer ou brûler.

Sachez que le réfrigérant peut ne pas contenir d'odeur.

La quantité maximale de charge de réfrigérant: 160g.



Respect de l'environnement. Nous vous prions de bien vouloir trier les emballages en carton ainsi que les sachets plastiques (en polyéthylène). L'appareil usagé ne doit pas être jeté à la poubelle mais remis au point de collecte prévu à cet effet car il contient des éléments pouvant être nocifs pour l'environnement. L'appareil électrique doit être remis de manière à limiter au maximum une éventuelle utilisation ultérieure. Si l'appareil contient des piles, il faut les retirer et les remettre à un autre point de collecte.

Ne pas jeter l'appareil dans une poubelle de déchets ménagers !!!

CONDICIONES GENERALES DE SEGURIDAD  
 INSTRUCCIONES DE SEGURIDAD IMPORTANTES LEA CUIDADOSAMENTE Y  
 AHORRE POR FUTURO

1. Antes de usar el dispositivo, lea el manual de operación y siga las instrucciones contenidas en él. El fabricante no se hace responsable de los daños causados por el uso del dispositivo contrario a su propósito previsto u operación incorrecta.
2. El dispositivo es solo para uso doméstico. No lo use para otros fines que no sean para los fines previstos.
3. El dispositivo solo debe conectarse a un tomacorriente de CA con una conexión a tierra de 220 240V ~ 50Hz. Para aumentar la seguridad operativa, no se deben conectar varios dispositivos eléctricos a un circuito de corriente al mismo tiempo.
4. Tenga mucho cuidado al usar el dispositivo cuando haya niños cerca. No permita que los niños jueguen con el dispositivo, no permita que lo usen niños o personas que no estén familiarizadas con el dispositivo.
5. **ADVERTENCIA:** Este equipo puede ser utilizado por niños mayores de 8 años y personas con capacidad física, sensorial o mental limitada, o personas que no tienen experiencia o conocimiento del equipo, si esto se hace bajo la supervisión de una persona responsable. por su seguridad o se les ha otorgado información sobre el uso seguro del dispositivo y son conscientes de los peligros de su uso. Los niños no deben jugar con el equipo. La limpieza y el mantenimiento del dispositivo no deben ser realizados por niños, a menos que tengan más de 8 años y estas actividades se realicen bajo supervisión.
6. Siempre desconecte el enchufe de alimentación sosteniendo el enchufe con la mano después de usarlo. **NO** tire del cable de alimentación.
7. No sumerja el cable, el enchufe y todo el dispositivo en agua o cualquier otro líquido. No exponga el dispositivo a condiciones atmosféricas (lluvia, sol, etc.) ni lo use en condiciones de alta humedad (baños, casas móviles húmedas).
8. Compruebe periódicamente el estado del cable de alimentación. Si el cable de alimentación está dañado, debe ser reemplazado por un taller de reparación especializado para evitar peligros.
9. No utilice el aparato con un cable de alimentación dañado o si se ha caído o dañado de alguna otra manera o si no funciona correctamente. No repare el dispositivo usted mismo, ya que existe el riesgo de descarga eléctrica. Lleve el dispositivo dañado a un centro de servicio apropiado para su revisión o reparación. Todas las reparaciones solo pueden llevarse a cabo en puntos de servicio autorizados. Las reparaciones realizadas incorrectamente pueden causar serios peligros para el usuario.
10. Coloque el dispositivo sobre una superficie fresca y estable, lejos de electrodomésticos de cocina calientes como: estufa eléctrica, quemador de gas, etc.
11. Asegúrese de que nada bloquee la entrada y salida de aire del dispositivo

12. Use el dispositivo solo en una superficie nivelada para evitar que se derrame la condensación
13. Para proporcionar protección adicional, es aconsejable instalar un dispositivo de corriente residual (RCD) en el circuito eléctrico con una corriente residual nominal que no exceda los 30 mA. Pregúntele a un electricista por esto.
14. Limpie el filtro de aire regularmente. La frecuencia de la limpieza depende de la limpieza del aire.
15. Después de apagar la máquina, espere al menos 5 minutos antes de volver a encenderla.
16. No utilice el dispositivo en lugares soleados. Cuando el dispositivo se sobrecalienta, la protección contra sobrecalentamiento encenderá el dispositivo.
17. Para garantizar un enfriamiento efectivo, se debe mantener una distancia de al menos 60 cm entre las paredes laterales del dispositivo y la pared, los muebles o las cortinas.
18. Debido al rendimiento limitado del dispositivo, si la diferencia entre la temperatura objetivo y la temperatura ambiente es demasiado grande, es posible que no se alcance la temperatura objetivo.
19. Para reducir el riesgo de incendio, descarga eléctrica o lesiones al usar el aire acondicionado, observe las siguientes precauciones básicas:
  - a) Conecte a una toma de corriente con conexión a tierra con 3 pines.
  - b) No quite la punta de conexión a tierra.
  - c) No use el adaptador.
  - d) No use un cable de extensión.
  - e) Desconecte el aire acondicionado antes de dar servicio.
  - f) Use dos o más personas para mover e instalar el aire acondicionado.
20. No utilice agentes que aceleren el proceso de descongelación o limpieza que no sean los recomendados por el fabricante.
21. El dispositivo debe almacenarse en una habitación sin operar constantemente fuentes de ignición, por ejemplo: fuego abierto, aparatos de gas o calentadores eléctricos.

#### ANTES DEL PRIMER USO - (imagen E)

Conecte los conectores al conducto de escape de aire de la siguiente manera:

1. Extienda el conducto de escape de aire (9) extrayendo los dos extremos del conducto.
2. Atornille el conducto de escape de aire (9) en el conector del conducto de escape de aire (10).
3. Conecte el conector del conducto de escape de aire (10) al dispositivo.

#### OBSERVACIONES:

1. Mantenga la unidad al menos a 1 metro de distancia de televisores o radios para evitar interferencias electromagnéticas.
2. No exponga la unidad a la luz solar directa para evitar la decoloración del color de la superficie.
3. No incline la unidad más de 35 ° o al revés durante el transporte. Si el dispositivo se ha volteado durante el transporte, colóquelo correctamente y espere de 2 a 4 horas antes de encenderlo.
4. Coloque la unidad sobre una superficie plana con una inclinación de menos de 5 °.
5. La unidad funciona de manera más eficiente en ciertas ubicaciones de habitaciones, seleccione la mejor ubicación:
  - Junto a una ventana, una puerta o una ventana francesa.
  - Mantenga la distancia requerida desde la salida de aire de retorno a la pared u otros obstáculos al menos 60 cm.

- Extienda la manguera de aire para asegurarse de que el otro extremo de la manguera de aire tenga espacio entre la puerta de la ventana, la ventana francesa o el orificio de la pared.
  - La salida o entrada de aire no puede ser bloqueada por rejilla protectora ni ningún obstáculo.
- Para prolongar la vida útil de la unidad, drene el agua condensada del orificio de drenaje (8) antes de guardar la unidad al final de la temporada.

#### DESCRIPCIÓN DEL DISPOSITIVO (imágenes A y B)

- |                                    |   |
|------------------------------------|---|
| 1. Panel de control                | 2. Salida de aire frío                      |
| 3. Receptor de señal               | 4. Mando a distancia                        |
| 5. Asa de transporte               | 6. Conducto de escape                       |
| 7. Entrada del evaporador          | 8. Tapón de drenaje                         |
| 9. Conducto de escape de aire      | 10. Conector del conducto de escape de aire |
| 11. Adaptador de escape de ventana |   |

#### PANEL DE CONTROL (imagen C)

- |   |   |
|---|---|
| A. Botón de encendido                                     | B. Botón de velocidad del ventilador              |
| C. Botón de modo  | D. Temporizador / Botón de aumento de temperatura |
| E. Botón de temporizador / temperatura baja               | F. Indicador de baja velocidad del ventilador     |
| G. Indicador de velocidad alta del ventilador             | K. Indicador de modo frío                         |
| L. Indicador de modo de deshumidificación                 | M. Indicador de modo de ventilador                |
| N. Botón del temporizador                                 | R. WF - indicador de agua llena                   |
| S. Ajuste de temperatura / visualización del temporizador | W. Indicador del temporizador                     |

#### MANDO A DISTANCIA - imagen D

- El mando a distancia transmite señales al receptor de señales (3).
- Botón "A": el aparato se iniciará cuando se energice o se detendrá cuando esté en funcionamiento, si presiona este botón.
- Botón "C": presiónelo para seleccionar el modo de funcionamiento: "K", "L" o "M". Se iluminará el indicador adecuado.
- Botón "B": presiónelo para seleccionar la velocidad del ventilador en secuencia. Se iluminará el indicador adecuado.
- Botón "D" / "E": presiónelo para configurar la temperatura deseada en la habitación o en el temporizador. La pantalla "S" presenta la temperatura deseada, no la temperatura presente en la habitación.
- Botón "N": presiónelo para configurar el tiempo de apagado automático y encendido automático.

#### FUNCIONAMIENTO DEL PANEL DE CONTROL FRÍO / SECO / VENTILADOR

- Encienda el dispositivo.
  - Conecte el dispositivo y luego el dispositivo emite un pitido.
  - Presione el botón "A", luego el dispositivo se encenderá.
  - La pantalla LED indica la temperatura establecida.
- Elegir el modo de funcionamiento  
Presione el botón "C" para seleccionar el modo de operación deseado por secuencia:  
Modo de enfriamiento "K" -> Modo de secado "L" -> Modo de ventilador "M."
- Ajustar la temperatura  
La temperatura se puede ajustar dentro de un rango de 16 ° -31 ° C. Presione el botón "D" o "E" para aumentar o disminuir la temperatura en 1 ° C presionando una vez. El panel LED del dispositivo muestra la temperatura objetivo durante 5 segundos y luego muestra la temperatura establecida, no la temperatura presente en la habitación.  
Después de configurar la temperatura en el modo de enfriamiento "K", si selecciona nuevamente el modo de enfriamiento "K" o el modo de ventilador "M", la pantalla LED indicará la temperatura objetivo predeterminada de 25 ° C.
- Ajustar la velocidad del ventilador  
Presione el botón "B" para seleccionar la velocidad deseada del ventilador que se muestra por secuencia:  
Baja velocidad "F" -> Alta velocidad G
- Poder  
Cuando presiona el botón "A" nuevamente, el dispositivo sonará "di" y dejará de funcionar.
- Presione este botón "N" para configurar un temporizador.

Principios de funcionamiento de los modos:

Deshumidificar el modo "L":

1. El ventilador funcionará a baja velocidad y no se puede ajustar la velocidad.

El ajuste de temperatura no es efectivo. El dispositivo ajusta automáticamente la temperatura establecida a 2 ° C por debajo de la temperatura ambiente cuando ingresa al modo de deshumidificación.

2. Cuando la temperatura ambiente  $\leq 16$  °C, no se puede deshumidificar, el ventilador funcionará a baja velocidad.

**ADVERTENCIA:**

Al operar el dispositivo en condiciones de humedad variable, el tapón de drenaje (8) debe estar constantemente abierto y garantizar un drenaje de agua constante. Para un drenaje cómodo del agua, utilice la tubería incluida en el kit.

Modo COOL "K":

1. Cuando la temperatura ambiente es más alta que la temperatura establecida en el panel de control, el compresor comienza a funcionar. El dispositivo enfría la habitación.

2. Cuando la temperatura de la habitación es más baja que la temperatura establecida en el panel de control, el compresor se detiene y el ventilador funciona a la velocidad establecida originalmente.

Modo de ventilador "M".

1. El ventilador funciona a la velocidad establecida y el compresor no funciona.

2. El ajuste de temperatura no es efectivo.

Operación del temporizador "N":

1. Presione el botón "N" para configurar el tiempo de apagado automático mientras la unidad está funcionando.

2. Presione el botón "N" para configurar el tiempo de encendido automático mientras la unidad está lista.

3. El tiempo se puede ajustar dentro de un rango de 1 hora a 24 horas presionando el botón "D" (+) o "E" (-).

**Aviso:**

El tablero de control principal tiene función de memoria, cuando el dispositivo está listo para funcionar pero en estado de parada, el tablero de control principal puede memorizar la inicialización del modo de trabajo. Cuando encienda la unidad, funcionará con la misma promulgación del modo de trabajo que la última vez, no es necesario restablecer el modo de trabajo nuevamente.

**CONTROL REMOTO**

1. Deslice la tapa trasera para abrir y quitar la película aislante de las baterías.

2. Inserte las baterías en el compartimiento con el lado correcto. Los polos de las pilas deben coincidir con los signos "+" y "-" del mando a distancia.

3. Durante mucho tiempo sin uso, saque las baterías.

4. Para prevenir la contaminación ambiental, saque las baterías usadas y deséchelas de manera segura y apropiada.

Para operar el dispositivo, apunte el control remoto (4) al receptor de señal (3). El control remoto (4) operará el dispositivo a una distancia de 5 metros cuando apunte al receptor de señal (3) del dispositivo.

**DISPOSITIVOS DE PROTECCIÓN**

El dispositivo de protección puede dispararse y detener el aparato en los casos que se enumeran a continuación:

1. en modo de refrigeración: la temperatura del aire interior es superior a 43 ° C

2. en modo refrigeración: la temperatura ambiente es inferior a 16 ° C

3. en modo de deshumidificación: la temperatura ambiente es inferior a 16 ° C

Si el dispositivo funciona en modo de enfriamiento "K" o deshumidificación "L" con la puerta o ventana abierta durante mucho tiempo cuando la humedad relativa es superior Al. 80%, el rocío puede gotear desde la salida.

El dispositivo de protección funcionará en los siguientes casos:

1. Reiniciando el dispositivo inmediatamente después de detener el trabajo o cambiar el modo seleccionado mientras trabaja, debe esperar 3 minutos.

2. Si se quitó el enchufe, después de reiniciar el dispositivo volverá al modo original, TIMER ON y TIMER OFF - deben configurarse nuevamente.

**OBSERVACIÓN:** hay un reciclaje de agua de condensación escondido dentro de este dispositivo. El agua de condensación se recicla parcialmente entre el condensador y la placa de agua incorporada. Cuando el nivel del agua sube al nivel superior, se eleva mediante el interruptor de flotador, luego (W.F.) el indicador de nivel de agua lleno "R" se enciende para recordarle que debe drenar el agua. Corte la fuente de alimentación, mueva el aparato a un lugar adecuado, retire el tapón de drenaje y drene el agua por completo. Después del drenaje, vuelva a instalar el tapón de drenaje (8), o el aparato puede tener fugas y mojar la habitación. Si no se drena 5 minutos después de la W.F. indicación encendida, la pantalla mostrará E4.

Si el aparato se coloca en una posición que permita el drenaje de agua, también puede conectar el tubo de drenaje al puerto de

drenaje para drenar el agua. El tubo de drenaje se agrega al kit, con un diámetro interior de 9 mm, un diámetro exterior de 12 mm, material: PVC.

#### Solución de problemas

1) Problema: no funciona.

##### Análisis:

a) tal vez se haya fundido el disparo del protector o el fusible, espere 3 minutos y comience de nuevo, el dispositivo protector puede estar impidiendo que el dispositivo funcione.

c) tal vez las pilas del mando a distancia estén agotadas.

d) tal vez el enchufe no esté enchufado correctamente.

2) Problema: funciona solo por un corto tiempo

##### Análisis:

a) si la temperatura establecida está cerca de la temperatura ambiente, puede reducirla.

b) tal vez la salida de aire esté bloqueada por un obstáculo. Elimina el obstáculo.

3) Problema: funciona pero no enfría

##### Análisis:

a) tal vez la puerta o la ventana estén abiertas.

b) tal vez en una distancia cercana hay otro aparato que funciona con calor, como un calentador o una lámpara, etc.

c) el filtro de aire está sucio, límpielo.

d) la entrada o salida de aire está bloqueada.

f) la temperatura establecida es demasiado alta.

4) Problema: Fuga de agua durante el movimiento.

##### Análisis:

a) drene el condensado antes de moverlo.

b) para evitar fugas de agua, coloque el dispositivo en un suelo plano.

5) Problema: No funciona y la luz indicadora de agua llena "W.F" está encendida

##### Análisis:

a) saque el tapón de goma para drenar el agua.

b) si a menudo se encuentra en este estado, comuníquese con un técnico de servicio calificado.

#### Solución de problemas

6) Problema: el dispositivo no se inicia.

##### Análisis:

a) tal vez no esté enchufado. Entonces, conéctelo.

b) tal vez daños en el enchufe o el enchufe. Reemplazar por proveedor de servicios.

c) tal vez se haya roto el fusible. Reemplace el fusible por el proveedor de servicios (especificación: 3,15A / 250VAC).

7) Problema: el dispositivo se detiene automáticamente.

##### Análisis:

a) temporización apagada o temperatura establecida alcanzada. Reinícielo o espere el cambio automático.

8) Problema: no hay aire frío en el modo COOL "K".

##### Análisis:

a) la temperatura ambiente es más baja que la temperatura establecida. Es un fenómeno normal, la máquina cambiará automáticamente mientras la temperatura ambiente sea más alta que la temperatura establecida.

b) El dispositivo entra en protección antihielo. El dispositivo cambiará automáticamente después de que finalice la protección antihielo.

9) Problema: la pantalla LED indica el código de falla "E0"

##### Análisis:

a) el sensor de temperatura ambiente falla o se daña. Reemplace el sensor de temperatura ambiente por parte del proveedor de servicios.

10) Problema: la pantalla LED indica el código de falla "E4"

##### Análisis:

a) advertencia de agua llena. Escurre el agua.

## LIMPIEZA Y MANTENIMIENTO

### Mantenimiento del dispositivo

1. Apague el dispositivo primero antes de desconectarlo de la fuente de alimentación.

2. Limpiar con un paño suave y seco. Utilice agua tibia por debajo de 40 ° C para limpiar si el aparato está muy sucio.

3. No utilice nunca sustancias volátiles como gasolina o polvos de pulir para limpiar el dispositivo.

### Mantenimiento del filtro de aire

Es necesario limpiar el filtro de aire cada 2 semanas si el dispositivo funciona en un entorno extremadamente polvoriento. Limpiar de la siguiente manera:

1. Primero detenga el dispositivo, empuje hacia arriba el filtro de aire (Imagen F).
2. Limpie y vuelva a instalar el filtro de aire.
3. Si la suciedad es visible, lávela con una solución de detergente en agua tibia. Después de limpiarlo, séquelo en un lugar fresco y con sombra, luego vuelva a instalarlo.

#### Mantenimiento después del uso estacional

1. Si el dispositivo no se usa durante más tiempo, asegúrese de sacar el tapón de goma del orificio de drenaje (8) para drenar el agua.
2. Mantenga el electrodoméstico en funcionamiento con el modo de ventilador solo durante medio día durante un día soleado para secar el interior del electrodoméstico y evitar que se enmohezca.
3. Detenga el dispositivo y desenchufe el cable de alimentación, luego saque las baterías del control remoto y almacene el dispositivo correctamente.
4. Limpie el filtro de aire y vuelva a instalarlo.
5. Retire las mangueras de aire, guárdelas correctamente y cubra el orificio herméticamente.

#### DATOS TÉCNICOS:

Capacidad de enfriamiento a BTU: 9000 BTU / hora

Capacidad de refrigeración en vatios: 2600 W

Consumo de energía (refrigeración) W: 950 W

Volumen: <= 64 dB

Flujo de aire: 270 m<sup>3</sup> / h

Clase energética: A

Temporizador: 24 horas

Peso del refrigerante R290: máx. 160 gramos

Voltaje 220-240V ~ 50Hz



Precaución, riesgo de incendio.

NO perforar ni quemar.

Tenga en cuenta que el refrigerante puede no contener olor.

La cantidad máxima de carga de refrigerante: 160 g.



Preocupación por el medio ambiente. Por favor, lleva las cajas de cartón a un sitio de reciclaje. Las bolsas de polietileno se deben tirar al cubo de la basura amarillo (para envases). El equipo gastado debe ser entregado en el punto de almacenamiento adecuado, porque las piezas que constituyen el equipo pueden suponer un peligro para el medio ambiente. Debes entregar el equipo Hay que devolver el equipo eléctrico con el fin de evitar su reutilización. Si en el equipo se encuentran pilas, hay que sacarlas y entregar por separado, en un punto de almacenamiento adecuado. No tires el equipo al contenedor para residuos urbanos!

## PORTUGUÊS

### CONDIÇÕES GERAIS DE SEGURANÇA

### INSTRUÇÕES IMPORTANTES DE SEGURANÇA LEIA COM ATENÇÃO E SALVE PARA O FUTURO

1. Antes de usar o dispositivo, leia o manual de operação e siga as instruções nele contidas. O fabricante não se responsabiliza por danos causados pelo uso do dispositivo contrário ao seu objetivo ou operação incorreta.
2. O dispositivo é apenas para uso doméstico. Não use para outros fins que não sejam para o fim a que se destina.
3. O dispositivo deve ser conectado apenas a uma tomada CA com 220 240V ~ 50Hz aterrada. Para aumentar a segurança operacional, vários dispositivos elétricos não devem ser conectados a um circuito de corrente ao mesmo tempo.
4. Tenha muito cuidado ao usar o dispositivo quando houver crianças por perto. Não permita que crianças brinquem com o dispositivo, não permita que crianças ou pessoas não familiarizadas com o dispositivo o usem.
5. AVISO: Este equipamento pode ser usado por crianças acima de 8 anos de idade e

pessoas com habilidades físicas, sensoriais ou mentais limitadas, ou pessoas que não têm experiência ou conhecimento do equipamento, se isso for feito sob a supervisão de uma pessoa responsável. por sua segurança ou tenham recebido informações sobre o uso seguro do dispositivo e estão cientes dos perigos de usá-lo. As crianças não devem brincar com o equipamento. A limpeza e manutenção do dispositivo não devem ser realizadas por crianças, a menos que tenham mais de 8 anos e essas atividades sejam realizadas sob supervisão.

6. Sempre desconecte o plugue de energia segurando o soquete com a mão após o uso. NÃO puxe pelo cabo de alimentação.

7. Não mergulhe o cabo, plugue e todo o dispositivo em água ou qualquer outro líquido. Não exponha o dispositivo a condições atmosféricas (chuva, sol, etc.) ou use em condições de alta umidade (banheiros, casas móveis úmidas).

8. Verifique periodicamente as condições do cabo de alimentação. Se o cabo de alimentação estiver danificado, ele deverá ser substituído por uma oficina especializada para evitar perigos.

9. Não use o aparelho com um cabo de alimentação danificado ou se ele caiu ou foi danificado de qualquer outra maneira ou se não estiver funcionando corretamente. Não repare o dispositivo, pois existe o risco de choque elétrico. Leve o dispositivo danificado a um centro de serviço apropriado para verificação ou reparo. Todos os reparos podem ser realizados apenas por pontos de serviço autorizados. Reparos executados incorretamente podem causar sérios perigos ao usuário.

10. Coloque o dispositivo em uma superfície fria e estável, longe de utensílios de cozinha quentes, como: fogão elétrico, queimador de gás, etc.

11. Certifique-se de que nada esteja bloqueando a entrada e saída de ar do dispositivo

12. Use o dispositivo apenas em uma superfície nivelada para evitar que a condensação se espalhe

13. Para fornecer proteção adicional, é aconselhável instalar um dispositivo de corrente residual (RCD) no circuito elétrico com uma corrente residual nominal que não exceda 30mA. Peça a um eletricista para isso.

14. Limpe o filtro de ar regularmente. A frequência da limpeza depende da limpeza do ar.

15. Depois de desligar a máquina, aguarde pelo menos 5 minutos antes de ligá-la novamente.

16. Não use o dispositivo em locais ensolarados. Quando o dispositivo superaquece, a proteção contra superaquecimento liga o dispositivo.

17. Para garantir um resfriamento eficaz, deve-se manter uma distância de pelo menos 60 cm entre as paredes laterais do dispositivo e a parede ou móveis ou cortinas.

18. Devido ao desempenho limitado do dispositivo, se a diferença entre a temperatura alvo e a temperatura ambiente for muito alta, a temperatura alvo poderá não ser alcançada.

19. Para reduzir o risco de incêndio, choque elétrico ou lesão ao usar o ar



condicionado, observe as seguintes precauções básicas:

- a) Conecte a uma tomada aterrada com 3 pinos.
- b) Não remova o pino de aterramento.
- c) Não use o adaptador.
- d) Não use um cabo de extensão.
- e) Desconecte o ar condicionado antes de fazer a manutenção.
- f) Use duas ou mais pessoas para mover e instalar o ar condicionado.

20. Não use agentes que acelerem o processo de degelo ou limpeza, além dos recomendados pelo fabricante.

21. O dispositivo deve ser armazenado em uma sala sem fontes de ignição em operação constante, por exemplo: fogo aberto, eletrodomésticos a gás ou aquecedores elétricos.

#### ANTES DA PRIMEIRA UTILIZAÇÃO - (figura E)

Conecte os conectores ao duto de exaustão de ar da seguinte forma:

1. Estenda o duto de exaustão de ar (9) puxando as duas extremidades do duto.
2. Aparafuse o duto de exaustão de ar (9) no conector do duto de exaustão de ar (10).
3. Conecte o conector do duto de exaustão de ar (10) ao dispositivo.

#### OBSERVAÇÕES:

1. Mantenha a unidade a pelo menos 1 metro de distância de TV ou rádios para evitar interferência eletromagnética.
2. Não exponha a unidade sob a luz solar direta para evitar o desbotamento da cor da superfície.
3. Não incline a unidade mais de 35 ° ou de cabeça para baixo durante o transporte. Se o dispositivo foi virado durante o transporte, coloque-o corretamente e espere 2 a 4 horas antes de ligá-lo.
4. Coloque a unidade em uma superfície plana com inclinação inferior a 5 °.
5. A unidade opera de forma mais eficiente em determinados locais da sala, selecione o melhor local:
  - Ao lado de uma janela, uma porta ou uma janela francesa.
  - Mantenha a distância necessária da saída de ar de retorno à parede ou outros obstáculos de pelo menos 60 cm.
  - Estenda a mangueira de ar para garantir que a outra extremidade da mangueira de ar tenha folga entre a porta da janela, janela francesa ou orifício na parede.
  - A saída ou entrada de ar não pode ser bloqueada por grade protetora ou qualquer obstáculo.

Para prolongar a vida útil da unidade, drene a água condensada do orifício de drenagem (8) antes de colocar a unidade no armazenamento no final da temporada.

#### DESCRIÇÃO DO DISPOSITIVO (fotos A e B)

- |                                     |  |
|-------------------------------------|--|
| 1. Painel de controle               | 2. Saída de ar frio                    |
| 3. Receptor de sinal                | 4. Controle remoto                     |
| 5. Alça de transporte               | 6. Duto de exaustão                    |
| 7. Entrada do evaporador            | 8. Bujão de drenagem                   |
| 9. Duto de exaustão de ar           | 10. Conector do duto de exaustão de ar |
| 11. Adaptador de exaustão de janela |  |

#### PAINEL DE CONTROLE (foto C)

- |  |   |
|--|---|
| A. Botão liga / desliga                            | B. Botão de velocidade do ventilador              |
| C. Botão de modo                                   | D. Botão de temporizador / aumento de temperatura |
| E. Botão de temporizador / temperatura para baixo  | F. Indicador de ventoinha de baixa velocidade     |
| G. Indicador de alta velocidade do ventilador      | K. Indicador do modo de resfriamento              |
| L. Indicador do modo de desumidificação            | M. Indicador do modo do ventilador                |
| N. Botão do temporizador                           | R. WF - indicador de água cheia                   |
| S. Defina a temperatura / exibição do temporizador | W. Indicador do temporizador                      |

#### CONTROLE REMOTO - foto D

O controle remoto transmite sinais para o receptor de sinal (3).

Botão "A" - o aparelho será ligado quando estiver energizado ou será parado quando estiver em funcionamento, se você pressionar este botão.

- Botão "C" - pressione-o para selecionar o modo de operação: "K", "L" ou "M". O indicador adequado acenderá.
- Botão "B" - pressione-o para selecionar a velocidade do ventilador em sequência. O indicador adequado acenderá.
- Botão "D" / "E" - pressione para definir a temperatura desejada no ambiente ou o temporizador. O display "S" apresenta a temperatura desejada, não apresenta a temperatura ambiente.
- Botão "N" - pressione para definir o tempo de desligamento automático e ligamento automático.

## OPERAÇÃO DO PAINEL DE CONTROLE

### COOL / DRY / FAN

1. Ligue o dispositivo.

- Conecte o dispositivo e, em seguida, o dispositivo emite um bipe.
- Pressione o botão "A" e o dispositivo ligará.
- O display LED indica a temperatura definida.

2. Escolha o modo de operação

Pressione o botão "C" para selecionar o modo de operação desejado por sequência:

Modo de refrigeração "K" -> Modo de secagem "L" -> Modo de ventilação "M."

3. Ajuste a temperatura

A temperatura pode ser ajustada entre 16 ° -31 ° C. Pressione o botão "D" ou "E" para aumentar ou diminuir a temperatura em 1 ° C pressionando uma vez. O painel de LED do dispositivo mostra a temperatura alvo por 5 segundos e, em seguida, exibe a temperatura definida, não a temperatura presente no ambiente.

Após definir a temperatura no modo de resfriamento "K", se você selecionar novamente o modo de resfriamento "K" ou o modo Ventilador "M", o display LED indica a temperatura alvo padrão de 25 ° C.

4. Ajuste a velocidade do ventilador

Pressione o botão "B" para selecionar a velocidade desejada do ventilador mostrada por sequência:

Baixa velocidade "F" -> Alta velocidade G

5. Poder

Ao pressionar o botão "A" novamente, o dispositivo emitirá um som "di" e parará de funcionar.

6. Pressione este botão "N" para definir um cronômetro.

Princípios de funcionamento dos modos:

Modo de desumidificação "L":

1. O ventilador funcionará em baixa velocidade e a velocidade não pode ser ajustada.

O ajuste da temperatura não é eficaz. O dispositivo ajusta automaticamente a temperatura definida para 2 ° C abaixo da temperatura ambiente ao entrar no modo de desumidificação.

2. Quando a temperatura ambiente  $\leq 16$  °C, não pode desumidificar, o ventilador funciona em baixa velocidade.

AVISO:

AO operar o dispositivo em condições de umidade variável, o bujão de drenagem (8) deve estar constantemente aberto para garantir a drenagem constante da água. Para uma drenagem confortável da água utilize o tubo incluído no kit.

Modo COOL "K":

1. Quando a temperatura ambiente é superior à temperatura definida no painel de controle, o compressor começa a funcionar. O dispositivo esfria a sala.

2. Quando a temperatura ambiente é inferior à temperatura definida no painel de controle, o compressor para e o ventilador funciona na velocidade original definida.

Modo "M" do ventilador.

- O ventilador funciona na velocidade definida e o compressor não funciona.
- O ajuste de temperatura não é eficaz.

Operação do temporizador "N":

- Pressione o botão "N" para definir o tempo de desligamento automático enquanto a unidade está funcionando.
- Pressione o botão "N" para definir o tempo de ativação automática enquanto a unidade está pronta.
- A hora pode ser ajustada no intervalo de 1 a 24 horas pressionando o botão "D" (+) ou "E" (-).

## Perceber:

A placa de controle principal tem função de memória, quando o dispositivo está pronto para funcionar, mas em estado de parada, a placa de controle principal pode memorizar a inicialização do modo de trabalho. Ao ligar a unidade, ela funcionará da mesma forma que o modo de trabalho da última vez, sem necessidade de redefinir o modo de trabalho novamente.

## CONTROLE REMOTO

1. Deslize a tampa traseira para abrir e retirar o filme isolante das baterias.
  2. Insira as baterias no compartimento com o lado correto. Os pólos das pilhas devem coincidir com os sinais "+" e "-" no controle remoto.
  3. Por muito tempo sem uso, retire as baterias.
  4. Para evitar poluição ambiental, retire as baterias usadas e descarte de forma segura e adequada.
- Para operar o dispositivo, aponte o controle remoto (4) para o receptor de sinal (3). O controle remoto (4) irá operar o dispositivo a uma distância de 5 metros ao apontar para o receptor de sinal (3) do dispositivo.

## DISPOSITIVOS DE PROTEÇÃO

O dispositivo de proteção pode desarmar e parar o aparelho nos casos listados abaixo:

1. no modo de resfriamento: a temperatura do ar interno é superior a 43 ° C
2. no modo de resfriamento: a temperatura ambiente está abaixo de 16 ° C
3. no modo de desumidificação: a temperatura ambiente está abaixo de 16 ° C

Se o aparelho funcionar no modo de resfriamento "K" ou desumidificar "L" com a porta ou janela aberta por muito tempo quando a umidade relativa estiver acima de 80%, pode haver condensação da saída.

O dispositivo de proteção funcionará nos seguintes casos:

1. Reiniciando o dispositivo imediatamente após interromper o trabalho ou alterar o modo selecionado durante o trabalho, você deve esperar 3 minutos.
2. Se o plugue foi removido, após reiniciar o dispositivo retornará ao modo original, TIMER ON e TIMER OFF - devem ser ajustados novamente.

**OBSERVAÇÃO:** há reciclagem de água condensada oculta neste dispositivo. A água de condensação é parcialmente reciclada entre o condensador e o reservatório de água. Quando o nível de água sobe para o nível superior, ele é aumentado pelo interruptor de bóia, então (W.F.) o indicador de nível de água cheio "R" acende para lembrá-lo de drenar a água. Corte o fornecimento de energia, coloque o aparelho em um local adequado, remova o bujão de drenagem e drene a água completamente. Após a drenagem, reinstale o bujão de drenagem (8), ou o aparelho pode vaziar e molhar o ambiente. Se não for drenado 5 minutos após o W.F. indicação ligada, o display mostrará E4.

Se o aparelho for colocado em uma posição que permita a drenagem de água, você também pode conectar o tubo de drenagem à porta de drenagem para drenar a água. O tubo de drenagem é adicionado ao kit, com diâmetro interno de 9mm, diâmetro externo de 12mm, material: PVC.

## Solução de problemas

1) Problema: não funciona.

Análise:

- a) talvez o desarme do protetor ou fusível esteja queimado, aguarde 3 minutos e comece novamente, o dispositivo protetor pode estar impedindo o funcionamento do dispositivo.
  - c) talvez as pilhas do controle remoto estejam gastas.
  - d) talvez o plugue não esteja conectado corretamente.
- 2) Problema: funciona por um curto período de tempo

Análise:

- a) se a temperatura definida estiver próxima da temperatura ambiente, você pode diminuir a temperatura definida.
- b) talvez a saída de ar esteja bloqueada por um obstáculo. Remova o obstáculo.

3) Problema: funciona, mas não esfria

Análise:

- a) talvez a porta ou janela esteja aberta.
- b) talvez em uma distância próxima haja outro aparelho funcionando com calor, como aquecedor ou lâmpada, etc.
- c) o filtro de ar está sujo, limpe-o.
- d) a saída ou entrada de ar está bloqueada.
- f) a temperatura definida está muito alta.

4) Problema: Vazamento de água durante o movimento.

Análise:

- a) drene o condensado antes de mover.
- b) para evitar vazamento de água, coloque o dispositivo em um terreno plano.

5) Problema: Não trabalhe e a luz indicadora de água cheia "W.F" está acesa

Análise:

- a) retire o tampão de borracha para drenar a água.
- b) se estiver frequentemente neste estado, entre em contato com um técnico de serviço qualificado.

Solução de problemas

6) Problema: O dispositivo não inicializa.

Análise:

- a) talvez não esteja conectado. Portanto, conecte-o.
- b) pode haver danos no plugue ou no soquete. Substitua pelo provedor de serviços.
- c) talvez o fusível esteja quebrado. Substitua o fusível pelo provedor de serviços (especificação: 3,15A / 250VAC).

7) Problema: O dispositivo para automaticamente.

Análise:

a) temporização desligada ou temperatura definida atingida. Reinicie-o ou aguarde a troca automática.

8) Problema: sem ar frio no modo COOL "K".

Análise:

- a) a temperatura ambiente é inferior à temperatura definida. É um fenômeno normal, a máquina comutará automaticamente enquanto a temperatura ambiente estiver mais alta do que a temperatura definida.
- b) O dispositivo entra na proteção anticongelante. O dispositivo mudará automaticamente após o término da proteção anticongelante.

9) Problema: o display LED indica o código de falha "E0"

Análise:

a) o sensor de temperatura ambiente falha ou danifica. Substitua o sensor de temperatura ambiente pelo provedor de serviços.

10) Problema: o display LED indica o código de falha "E4"

Análise:

a) aviso de cheia de água. Drene a água.

## LIMPEZA E MANUTENÇÃO

Manutenção do dispositivo

1. Desligue o dispositivo antes de desconectar da fonte de alimentação.
2. Limpe com um pano macio e seco. Use água morna abaixo de 40 ° C para limpar se o aparelho estiver muito sujo.
3. Nunca use substâncias voláteis como gasolina ou pó de polimento para limpar o dispositivo.

Manutenção do filtro de ar

É necessário limpar o filtro de ar a cada 2 semanas se o dispositivo operar em um ambiente extremamente empoeirado. Limpe da seguinte forma:

1. Pare o dispositivo primeiro, empurre o filtro de ar (Figura F).
2. Limpe e reinstale o filtro de ar.
3. Se a sujeira estiver aparente, lave com uma solução de detergente em água morna. Após a limpeza, seque-o em um local fresco e com sombra e, em seguida, reinstale-o.

Manutenção após uso sazonal

1. Se o dispositivo não for usado por mais tempo, certifique-se de puxar o tampão de borracha do orifício de drenagem (8) para drenar a água.
2. Mantenha o aparelho a funcionar com o modo de ventilação apenas durante meio dia durante um dia de sol para secar o aparelho no interior e evitar que fique bolorento.
3. Pare o dispositivo e retire o plugue do cabo de alimentação, em seguida, retire as baterias do controle remoto e armazene o dispositivo adequadamente.
4. Limpe o filtro de ar e reinstale-o.
5. Remova as mangueiras de ar, armazene-as adequadamente e cubra o orifício com firmeza.

DADOS TÉCNICOS:

Capacidade de resfriamento em BTU: 9.000 BTU / hora

Capacidade de refrigeração em watts: 2600 W

Consumo de energia (resfriamento) W: 950 W

Volume: <= 64 dB

Fluxo de ar: 270 m<sup>3</sup> / h

Classe energética: A

Temporizador: 24 horas

Peso do refrigerante R290: máx. 160 gramas

Tensão 220-240V ~ 50Hz



Cuidado, risco de incêndio.

NÃO fure ou queime.

Esteja ciente de que o refrigerante pode não conter odor.

A quantidade máxima de carga de refrigerante: 160g.



Proteção do meio ambiente. Rogamos, os embalagens de cartão destinem-se para papéis velhos. Os sacos de polietileno (PE) devem-se colocar em contenedores para material plástico. O dispositivo usado deve-se levar a um ponto de armazenamento adequado porque os componentes perigosos que ficam dentro do dispositivo podem ser perigosos para o meio ambiente. O dispositivo elétrico deve-se entregar de modo que se reduza a sua nova utilização e uso. Se no dispositivo há pilhas, devem-se tirar e levar a um ponto de armazenamento em separado. Não colocar o dispositivo em contenedores para resíduos municipais!!

## LIETUVIŲ

### BENDROSIOS SAUGOS SĄLYGOS

**SVARBIOS SAUGOS INSTRUKCIJOS ATSARGIAI** Perskaitykite ir išsaugokite ateičiai

1. Prieš naudodamiesi prietaisu, perskaitykite naudojimo vadovą ir vykdykite jame pateiktas instrukcijas. Gamintojas neatsako už žalą, padarytą naudojant įrenginį ne pagal paskirtį ar netinkamai naudojant.
2. Prietaisas skirtas naudoti tik namuose. Nenaudokite kitiems tikslams, kurie nėra numatyti.
3. Prietaisą reikia prijungti tik prie įžeminto 220 240 V ~ 50 Hz lizdo. Norint padidinti eksploataavimo saugą, keli elektros prietaisai neturėtų būti jungiami prie vienos srovės grandinės tuo pačiu metu.
4. Būkite ypač atsargūs naudodamiesi prietaisu, kai šalia yra vaikai. Neleiskite vaikams žaisti su šiuo prietaisu, neleiskite vaikams ar žmonėms, nepažįstamiems prietaiso, juo naudotis.
5. ĮSPĖJIMAS: Šia įranga gali naudotis vyresni nei 8 metų vaikai ir ribotų fizinių, jutimo ar protinių galimybių žmonės arba žmonės, neturintys patirties ar žinių apie įrangą, jei tai atliekama prižiūrint atsakingam asmeniui. Jų saugumui ar jiems buvo suteikta informacija apie saugų prietaiso naudojimą ir žino apie jo naudojimo pavojus. Vaikai neturėtų žaisti su įranga. Valyti ir prižiūrėti prietaisą neturėtų vaikai, išskyrus tuos atvejus, kai jie yra vyresni nei 8 metų, o šios veiklos atliekamos prižiūrint.
6. Po naudojimo visada atjunkite maitinimo kištuką, laikydami už rankos lizdą. **NENUDIRKITE** maitinimo laido.
7. Nemerkite laido, kištuko ir viso prietaiso į vandenį ar kitą skystį. Saugokite prietaisą nuo atmosferos sąlygų (lietaus, saulės ir pan.) Ir nenaudokite didelės drėgmės sąlygomis (vonios kambariai, drėgni mobilūs namai).
8. Periodiškai tikrinkite maitinimo laido būklę. Jei maitinimo laidas yra pažeistas, jį reikia pakeisti specializuotoje remonto dirbtuvėje, kad būtų išvengta pavojaus.
9. Nenaudokite prietaiso su pažeistu maitinimo laidu, jei jis buvo numestas ar kitaip pažeistas, arba jis veikia netinkamai. Netaisykite prietaiso patys, nes kyla elektros smūgio rizika. Nuvežkite sugadintą prietaisą į tinkamą aptarnavimo centrą patikrinti ar pataisyti. Visus remonto darbus gali atlikti tik įgalioti techninės priežiūros punktai. Neteisingai atliktas remontas gali sukelti rimtą pavojų vartotojui.
10. Padėkite prietaisą ant vėsių, stabilių paviršių, atokiau nuo karštų virtuvės prietaisų, tokių kaip: elektrinė viryklė, dujinis degiklis ir kt.
11. Įsitikinkite, kad niekas neužstoja prietaiso oro įleidimo ir išleidimo angos
12. Naudokite prietaisą tik ant lygaus paviršiaus, kad nesusidarytų kondensatas

13. Norint užtikrinti papildomą apsaugą, patartina į elektros grandinę įmontuoti likutinės srovės įtaisy (RCD), kurio vardinė likutinė srovė neviršytų 30mA. Dėl to kreipkitės į elektriką.
14. Reguliariai valykite oro filtrą. Valymo dažnumas priklauso nuo oro švara.
15. Išjungę mašiną, prieš vėl įjungdami, palaukite bent 5 minutes.
16. Nenaudokite prietaiso saulėtose vietose. Kai prietaisas perkaista, apsauga nuo perkaitimo įjungs įrenginį.
17. Kad būtų užtikrintas efektyvus aušinimas, tarp prietaiso šoninių sienelių ir sienos, baldų ar užuolaidų turėtų būti laikomas ne mažesnis kaip 60 cm atstumas.
18. Dėl riboto prietaiso veikimo, jei tikslinės ir aplinkos temperatūros skirtumas yra per didelis, tikslinė temperatūra gali būti nepasiekta.
19. Norėdami sumažinti gaisro, elektros smūgio ar sužeidimo riziką, kai naudojate oro kondicionierių, laikykitės šių pagrindinių atsargumo priemonių:
  - a) Prijunkite prie žeminto lizdo 3 kaiščiais.
  - b) Nenuimkite įžeminimo gnybto.
  - c) Nenaudokite adapterio.
  - d) Nenaudokite ilgintuvo.
  - e) Prieš atlikdami techninę priežiūrą, atjunkite oro kondicionierių.
  - f) Norėdami perkelti ir sumontuoti oro kondicionierių, naudokite du ar daugiau žmonių.
20. Nenaudokite agentų, kurie pagreitina atitirpinimo ar valymo procesą, išskyrus tuos, kuriuos rekomenduoja gamintojas.
21. Prietaisą reikia laikyti kambaryje, kuriame nėra nuolat veikiančių uždegimo šaltinių, pavyzdžiui: atvira ugnis, dujiniai prietaisai ar elektriniai šildytuvai.

#### PRIEŠ PIRMĄ NAUDOJIMĄ - (E nuotrauka)

Prijunkite jungtis prie oro išmetimo kanalo taip:

1. Ištraukite oro išmetimo kanalą (9) ištraukdami du ortakio galus.
2. Įsukite oro išmetimo kanalą (9) į oro išmetimo kanalo (10) jungtį.
3. Prijunkite oro išmetimo kanalo (10) jungtį prie prietaiso.

#### PASTABOS:

1. Laikykite įrenginį mažiausiai 1 metro atstumu nuo televizoriaus ar radijo, kad išvengtumėte elektromagnetinių trukdžių.
  2. Nepalikite įrenginio tiesioginių saulės spindulių, kad paviršiaus spalva neišbluktų.
  3. Transportuodami nelenkite įrenginio daugiau kaip 35 ° arba aukštin kojomis. Jei transportavimo metu prietaisas buvo apverstas, padėkite jį teisingai ir palaukite 2–4 valandas prieš jį paleisdami.
  4. Padėkite įrenginį ant lygaus paviršiaus, kurio nuolydis mažesnis nei 5 °.
  5. Įrenginys veikia efektyviau tam tikrose patalpose, pasirinkite geriausią vietą:
    - Šalia lango, durų ar prancūziško lango.
    - Laikykite reikiamą atstumą nuo grįžtamojo oro išleidimo angos iki sienos ar kitų kliūčių ne mažiau kaip 60 cm.
    - Išplėskite oro žarną, kad įsitikintumėte, jog kitame oro žarnos gale yra tarpas tarp lango durų, prancūziško lango ar sienos skylės.
    - Oro išleidimo angos ar įsiurbimo angos negali užblokuoti apsauginės grotelės ar jokios kliūtys.
- Norėdami pailginti įrenginio tarnavimo laiką, sezono pabaigoje išleiskite kondensuatą vandenį iš išleidimo angos (8).

#### ĮRENGINIO APRĄŠYMAS (A ir B nuotraukos)

- |                           |                             |
|---------------------------|-----------------------------|
| 1. Valdymo skydelis       | 2. Šalto oro išleidimo anga |
| 3. Signalo receptorius    | 4. Nuotolinis valdiklis     |
| 5. Transportavimo rankena | 6. Išmetimo kanalas         |
| 7. Garintuvo įėjimas      | 8. Išleidimo kamštis        |

9. Oro išmetimo kanalas  
11. Langų išmetimo adapteris

10. Oro išmetimo kanalo jungtis

#### VALDYMO PULTAS (C nuotrauka)

A. Maitinimo mygtukas  
C. Režimo mygtukas  
E. Laikmačio / temperatūros mažinimo mygtukas  
G. Ventilatoriaus didelio greičio indikatorius  
L. Sausinimo režimo indikatorius  
N. Laikmačio mygtukas  
S. Nustatykite temperatūrą / Laikmačio ekranas

B. Ventilatoriaus greičio mygtukas  
D. Laikmačio / temperatūros padidinimo mygtukas  
F. Ventilatoriaus mažo greičio indikatorius  
K. Aušinimo režimo indikatorius  
M. Ventilatoriaus režimo indikatorius  
R. WF - pilno vandens indikatorius  
W. Laikmačio indikatorius

Nuotolinis valdiklis - D paveikslas

Nuotolinio valdymo pultas perduoda signalus signalų imtuvui (3).

Mygtukas „A“ - prietaisas bus įjungtas, kai bus įjungtas maitinimas, arba bus sustabdytas, kai jis veiks, jei paspausite šį mygtuką.

Mygtukas „C“ - paspauskite jį, kad pasirinktumėte darbo režimą: „K“, „L“ arba „M“. Užsidegs tinkamas indikatorius.

Mygtukas „B“ - paspauskite jį, kad iš eilės pasirinktumėte ventilatoriaus greitį. Užsidegs tinkamas indikatorius.

Mygtukas „D“ / „E“ - paspauskite norėdami nustatyti norimą kambario temperatūrą arba laikmatį. Ekrane „S“ nurodoma pageidaujama temperatūra, o ne esama temperatūra kambaryje.

Mygtukas „N“ - paspauskite, kad nustatytumėte automatinio išjungimo ir automatinio įjungimo laiką.

#### KONTROLĖS PANELIO VEIKIMAS

COOL / DRY / FAN

1. Įjunkite įrenginį.

- Prijunkite įrenginį, tada prietaisas pypteli vieną kartą.
- Paspauskite „A“ mygtuką, tada prietaisas įsijungs.
- LED ekranas rodo nustatytą temperatūrą.

2. Pasirinkite darbo režimą

Paspauskite mygtuką „C“, kad pasirinktumėte norimą veikimo režimą iš eilės:  
Aušinimo režimas „K“ -> Džiovinimo režimas „L“ -> Ventilatoriaus režimas „M.“

3. Sureguliuokite temperatūrą

Temperatūrą galima nustatyti 16-31 °C diapazone. Paspauskite „D“ arba „E“ mygtuką, kad vieną kartą paspaudę padidintumėte arba sumažintumėte temperatūrą 1 °C. Prietaiso šviesos diodų skydelis 5 sekundes rodo tikslią temperatūrą, o tada rodo nustatytą temperatūrą, o ne esamą kambario temperatūrą.

Nustačius temperatūrą aušinimo režimu „K“, jei vėl pasirenkate aušinimo režimą „K“ arba ventilatoriaus režimą „M“, LED ekranas rodo numatytąją tikslią temperatūrą 25 °C.

4. Sureguliuokite ventilatoriaus greitį

Paspauskite mygtuką „B“, kad pasirinktumėte norimą ventilatoriaus greičio rodymą iš eilės:  
Mažas greitis „F“ -> Didelis greitis G

5. Gali

Dar kartą paspaudus „A“ mygtuką, prietaisas skambės „di“ ir nustoja veikti.

6. Norėdami nustatyti laikmatį, paspauskite šį mygtuką „N“.

Veikimo principai:

„L“ sausinimo režimas:

1. Ventilatorius veiks mažu greičiu, o greičio reguliuoti negalima.

Temperatūros reguliavimas nėra veiksmingas. Įjungus sausinimo režimą, prietaisas automatiškai sureguliuoja nustatytą temperatūrą 2 °C žemiau kambario temperatūros.

2. Kai kambario temperatūra  $\leq 16$  °C, negalima sausinti, ventilatorius veiks mažu greičiu.

ĮSPĖJIMAS:

Kai prietaisas naudojamas esant įvairiai drėgmei, išleidimo kamštis (8) turi būti nuolat atidarytas ir užtikrinti nuolatinį vandens nutekėjimą. Norėdami patogiai išleisti vandenį, naudokite vamzdyje esantį vamzdį.

Vėsus „K“ režimas:

1. Kai kambario temperatūra yra aukštesnė nei nustatyta valdymo pulte, kompresorius pradeda veikti. Prietaisas vėsina kambarį.
2. Kai kambario temperatūra yra žemesnė nei nustatyta valdymo pulte, kompresorius sustoja ir ventiliatorius veikia pradiniu nustatytu greičiu.

Ventiliatoriaus „M.“ režimas.

1. Ventiliatorius veikia nustatytu greičiu, o kompresorius neveikia.
2. Temperatūros reguliavimas nėra veiksmingas.

Laikmačio veikimas „N“:

1. Paspauskite „N“ mygtuką, kad nustatytumėte automatinio išjungimo laiką, kol įrenginys veikia.
2. Paspauskite „N“ mygtuką, kad nustatytumėte automatinio įjungimo laiką, kol įrenginys bus paruoštas.
3. Laiką galima reguliuoti nuo 1 valandos iki 24 valandų, paspaudus mygtuką „D“ (+) arba „E“ (-).

Pastebėti:

Pagrindinė valdymo plokštė turi atminties funkciją, kai prietaisas yra paruoštas veikti, tačiau yra sustabdytas, pagrindinė valdymo plokštė gali įsiminti darbo režimo inicijavimą. Kai įjungsite įrenginį, jis veiks taip pat, kaip ir praėjusį kartą, nereikia iš naujo nustatyti darbo režimo.

Nuotolinis valdiklis

1. Stumdami galinį dangtelį atidarykite ir nuimkite akumuliatorių izoliacinę plėvelę.
2. Įdėkite baterijas į skyrių su tinkama puse. Baterijų poliai turi sutapti su ženklais „+“ ir „-“ ant nuotolinio valdymo pulto.
3. Ilgą laiką nenaudokite, išimkite baterijas.
4. Kad išvengtumėte aplinkos taršos, išimkite panaudotas baterijas ir tinkamai bei tinkamai utilizuokite.

Norėdami valdyti prietaisą, nukreipkite nuotolinio valdymo pultą (4) į signalo receptorių (3). Nuotolinio valdymo pultas (4) valdys prietaisą 5 metrų atstumu, kai jis nukreipia į prietaiso signalo receptorių (3).

## APSAUGINIAI ĮRENGINIAI

Apsauginis įtaisas gali suveikti ir sustabdyti prietaisą šiais atvejais:

1. aušinimo režimu: patalpų oro temperatūra yra didesnė nei 43 ° C
2. aušinimo režimu: kambario temperatūra yra žemesnė nei 16 ° C
3. esant sausinimo režimui: kambario temperatūra yra žemesnė nei 16 ° C

Jei prietaisas veikia aušinimo „K“ režimu arba sausina „L“ režimą, kai durys ar langas atidaromi ilgą laiką, kai santykinė oro drėgmė yra didesnė nei 80%, iš išleidimo angos gali varvėti.

Apsauginis įtaisas veiks šiais atvejais:

1. Iškart po darbo nutraukimo arba pasirinkto režimo pakeitimo dirbdami iš naujo paleiskite įrenginį, turite palaukti 3 minutes.
2. Jei kištukas buvo ištrauktas, iš naujo paleidus prietaisą grįš į pradinį režimą, TIMER ON ir TIMER OFF - turi būti nustatyti iš naujo.

**PASTABA:** šiame įrenginyje yra paslėptas kondensato vandens perdirbimas. Kondensacinis vanduo iš dalies perdirbamas tarp kondensatoriaus ir įmontuojamo vandens plokštės. Kai vandens lygis pakyla iki viršutinio lygio, jis pakeliamas plūdiniu jungikliu, tada (W.F.) užsidega viso vandens lygio indikatorius „R“, kad primintų jums išleisti vandenį. Išjunkite maitinimą, perkelkite prietaisą į tinkamą vietą, ištraukite išleidimo kamštį, visiškai išleiskite vandenį. Po išleidimo vėl uždėkite išleidimo kamštį (8), kitaip prietaisas gali nutekėti ir sušlapinti jūsų kambarį. Jei jis nenusausinamas praėjus 5 minutėms po W.F. kai indikatorius įjungtas, ekrane bus rodoma E4.

Jei prietaisas pastatytas į išleidimo vandenį, taip pat galite prijungti išleidimo vamzді prie išleidimo angos, kad išleistumėte vandenį. Į komplektą pridamas išleidimo vamzdis, kurio vidinis skersmuo 9 mm, išorinis skersmuo 12 mm, medžiaga: PVC.

Problemų sprendimas

- 1) Bėda: nedirbkite.

Analizė:

a) galbūt apsauginis jungiklis ar saugiklis sudegė, palaukite 3 minutes ir pradėkite iš naujo, apsauginis įtaisas gali neleisti prietaisui veikti.

c) galbūt nuotolinio valdymo pulto baterijos yra išsekusios.

d) gal kištukas netinkamai prijungtas.

- 2) Bėda: veikia tik trumpą laiką

Analizė:

a) jei nustatyta temperatūra yra artima kambario temperatūrai, galite sumažinti nustatytą temperatūrą.

b) galbūt oro išleidimo angą užblokavo kliūtis. Pašalinkite kliūtį.



3) Bėda: veikia, bet neatvėsiną

Analizė:

- a) gal durys ar langas yra atviri.
- b) galbūt netoliese yra kitas prietaisas, veikiantis šiluma, pavyzdžiui, šildytuvai ar lempa ir pan.
- c) oro filtras yra nešvarus, išvalykite.
- d) oro išleidimo anga arba įleidimo anga yra užblokuota.
- f) nustatyta temperatūra yra per aukšta.

4) Bėda: vandens nutekėjimas judant.

Analizė:

- a) prieš judėdami išleiskite kondensatą.
- b) kad išvengtumėte vandens nutekėjimo, padėkite prietaisą ant lygios žemės.

5) Bėda: nedirbkite ir užsidega vandens indikatorius „W.F“

Analizė:

- a) ištraukite guminį kamštį, kad išleistumėte vandenį.
- b) jei tai dažnai vyksta, kreipkitės į kvalifikuotą techninės priežiūros specialistą.

Problemų sprendimas

6) Bėda: įrenginys nepavyksta paleisti.

Analizė:

- a) galbūt nėra prijungtas. Taigi, prijunkite jį.
- b) kištukas ar lizdas gali būti pažeisti. Pakeiskite paslaugų teikėju.
- c) gal sugedo saugiklis. Saugiklį pakeiskite paslaugų teikėjas (specifikacija: 3,15A/250VAC).

7) Bėda: įrenginys automatiškai sustoja.

Analizė:

- a) išjungimo laikas arba nustatyta temperatūra. Iš naujo paleiskite arba palaukite, kol automatiškai persijungs.

8) Bėda: nėra šalto oro, kai veikia „CO“ režimas „K“.

Analizė:

- a) kambario temperatūra yra žemesnė už nustatytą. Tai normalus reiškinys, mašina automatiškai persijungs, kai kambario temperatūra bus aukštesnė už nustatytą temperatūrą.
- b) Prietaisas apsaugo nuo užšalimo. Pasibaigus apsaugai nuo užšalimo, prietaisas automatiškai persijungs.

9) Bėda: LED ekranas rodo gedimo kodą „E0“

Analizė:

- a) sugenda arba sugenda kambario temperatūros jutiklis. Pakeiskite kambario temperatūros jutiklį paslaugų teikėju.

10) Bėda: LED ekranas rodo gedimo kodą „E4“

Analizė:

- a) įspėjimas apie vandens pilnumą. Išleiskite vandenį.

## VALYMAS IR PRIEŽIŪRA

### Įrenginio priežiūra

1. Prieš atjungdami nuo maitinimo šaltinio, pirmiausia išjunkite prietaisą.
2. Nuvalykite minkšta ir sausa šluoste. Jei prietaisas yra labai nešvarus, valykite drungnu, žemesniu nei 40 ° C vandeniu.
3. Prietaisui valyti niekada nenaudokite lakių medžiagų, tokių kaip benzinai ar poliravimo milteliai.

### Oro filtro priežiūra

Jei prietaisas veikia itin dulketoje aplinkoje, oro filtrą būtina valyti kas 2 savaites. Valykite taip:

1. Pirmiausia sustabdykite prietaisą, paspauskite oro filtrą aukštyn (F pav.).
2. Išvalykite ir vėl įstatykite oro filtrą.
3. Jei nešvarumai yra pastebimi, nuplaukite juos ploviklio tirpalu drungname vandenyje. Po valymo išdžiovinkite jį tamsioje ir vėsioje vietoje, tada vėl įdėkite.

### Priežiūra po sezoninio naudojimo

1. Jei prietaisas nebus naudojamas ilgiau, būtinai ištraukite guminį išleidimo angos (8) kamštį, kad išleistumėte vandenį.
2. Saulėtą dieną palaikykite prietaisą veikiančią tik su ventiliatoriaus režimu, kad prietaisas išdžiūtų viduje ir nesudarytų pelėsio.
3. Sustabdykite prietaisą ir ištraukite maitinimo laido kištuką, tada išimkite nuotolinio valdymo pulto baterijas ir tinkamai laikykite įrenginį.
4. Išvalykite oro filtrą ir vėl jį įstatykite.
5. Nuimkite oro žarnas ir tinkamai jas laikykite bei sandariai uždarykite skylę.

### TECHNINIAI DUOMENYS:

Aušinimo galia esant BTU: 9000 BTU / val

Aušinimo galia vatais: 2600 W

Energijos sąnaudos (aušinimas) W: 950 W

Garsas: <= 64 dB  
Oro srautas: 270 m<sup>3</sup> / h  
Energijas klasē: A  
Laikmatis: 24 valandas  
R290 aušinimo skycio svoris: maks. 160 gramu  
[tampa 220-240V ~ 50Hz



Atsargjai, gaisro pavojus.  
NEGALIMA pradurti ir nedeginti.  
Atminkite, kad šaltnešis neturi kvapo.  
Didžiausias šaltnešio įkrovo kiekis: 160 g.



Rūpinantis aplinka. Kartono pakuotes atiduoti j makulatūrā. Polietileno (PE) maišelius mesti j plastikui skirtā konteinerj. Susidēvējusj prietaisā atiduoti j atitinkamā atliekū surinkimo vietā, nes prietaise esančios pavojingos medžiagos gali kelti grēsmē aplinkai. Elektrinj prietaisā atiduoti tokj, kad nebūtū galima jo pakartotinj naudoti ir panaudoti. Jeigu prietaise yra baterijos, būtina jas išimti ir atskirai atiduoti j atliekū surinkimo vietā. Nemesti prietaiso j buitinj atliekū konteinerj!

## LATVIEŠU

### VISPĀRĪGIE DROŠĪBAS NOSACĪJUMI

#### SVARĪGAS DROŠĪBAS INSTRUKCIJAS RŪPĪGI LASĪT UN SAUDZĒT NĀKOTNĒM

1. Pirms ierīces izmantošanas izlasiet lietošanas instrukciju un ievērojiet tajā sniegtos norādījumus. Izgatavotājs nav atbildīgs par zaudējumiem, kas radušies, izmantojot ierīci pretēji paredzētajam mērķim vai nepareizu darbību.
2. Ierīce paredzēta tikai lietošanai mājās. Nelietojiet citiem mērķiem, kas nav paredzēti paredzētajam mērķim.
3. Ierīce jāpievieno maiņstrāvas kontaktligzdai tikai ar iezemētu 220 240 V ~ 50 Hz. Lai palielinātu ekspluatācijas drošību, vairākas elektriskās ierīces nedrīkst būt savienotas vienā strāvas ķēdē vienlaikus.
4. Esiet īpaši piesardzīgs, lietojot ierīci, kad tuvumā ir bērni. Neļaujiet bērniem spēlēties ar ierīci, neļaujiet to lietot bērniem vai cilvēkiem, kuri to nepazīst.
5. BRĪDINĀJUMS. Šo aprīkojumu var izmantot bērni, kas vecāki par 8 gadiem, un cilvēki ar ierobežotām fiziskām, maņu vai garīgajām spējām vai cilvēki, kuriem nav pieredzes vai zināšanu par šo aprīkojumu, ja tas tiek veikts atbildīgas personas uzraudzībā. Viņu drošībai vai viņiem ir piešķirta informācija par ierīces drošu lietošanu un viņi apzinās tās lietošanas bīstamību. Bērni nedrīkst spēlēt ar aprīkojumu. Ierīces tīrīšanu un apkopi nedrīkst veikt bērni, ja vien viņi ir vecāki par 8 gadiem un šīs darbības tiek veiktas uzraudzībā.
6. Pēc lietošanas vienmēr atvienojiet strāvas kontaktdakšu, turot kontaktlīgzdu ar roku. NEvelciet strāvas vadu.
7. Neiegremdējiet kabeli, kontaktdakšu un visu ierīci ūdenī vai citā šķīdumā. Nepakļaujiet ierīci atmosfēras iedarbībai (lietus, saule utt.) Vai nelietojiet paaugstināta mitruma apstākļos (vannas istabas, mitras pārvietojamās mājas).
8. Periodiski pārbaudiet strāvas vada stāvokli. Ja strāvas vads ir bojāts, tas jāmaina specializētā remontdarbnīcā, lai izvairītos no briesmām.

9. Nelietojiet ierīci ar bojātu strāvas vadu, ja tā ir nomesta vai citādi bojāta, vai arī tā nedarbojas pareizi. Neuzlabojiet ierīci pats, jo pastāv elektriskās strāvas trieciena risks. Nogādājiet bojāto ierīci pārbaudei vai labošanai atbilstošā servisa centrā. Visus remontdarbus drīkst veikt tikai pilnvaroti servisa punkti. Nepareizi veikts remonts var radīt nopietnas briesmas lietotājam.

10. Novietojiet ierīci uz vēsas, stabilas virsmas, prom no karstām virtuves ierīcēm, piemēram, elektriskās plīts, gāzes degļa utt.

11. Pārlicinieties, ka nekas neliedz ierīces gaisa ieplūdi un izplūdi

12. Izmantojiet ierīci tikai uz līdzenas virsmas, lai novērstu kondensāta izliešanu

13. Lai nodrošinātu papildu aizsardzību, ieteicams elektriskajā ķēdē uzstādīt atlikušās strāvas ierīci (RCD) ar nominālo atlikušo strāvu, kas nepārsniedz 30mA. Par to jautājiet elektriķim.

14. Regulāri notīriet gaisa filtru. Tīrīšanas biežums ir atkarīgs no gaisa tīrības.

15. Pēc mašīnas izslēgšanas nogaidiet vismaz 5 minūtes, pirms to atkal ieslēdzat.

16. Nelietojiet ierīci saulainās vietās. Kad ierīce pārkarst, ierīce pārkaršanās laikā ieslēdzas.

17. Lai nodrošinātu efektīvu dzesēšanu, starp ierīces sānu sienām un sienu, mēbelēm vai aizkariem jābūt vismaz 60 cm attālumam.

18. Ierīces ierobežotās darbības dēļ, ja starpība starp mērķa temperatūru un apkārtējās vides temperatūru ir pārāk liela, mērķa temperatūra var netikt sasniegta.

19. Lai samazinātu ugunsgrēka, elektriskās strāvas trieciena vai ievainojumu risku, lietojot gaisa kondicionieri, ievērojiet šādus pamata piesardzības pasākumus:

a) Pievienojiet iezemētai kontaktligzdai ar 3 tapām.

b) nenonemiet zemējuma galu.

c) Nelietojiet adapteri.

d) Nelietojiet pagarinātāju.

e) Pirms apkopes atvienojiet gaisa kondicionieri.

f) Gaisa kondicionētāja pārvietošanai un uzstādīšanai izmantojiet divus vai vairāk cilvēkus.

20. Nelietojiet līdzekļus, kas paātrina atkausēšanas vai tīrīšanas procesu, izņemot tos, kurus ieteicis ražotājs.

21. Ierīce jāuzglabā telpā, kurā pastāvīgi nedarbojas aizdedzes avoti, piemēram: atklāta uguns, gāzes ierīces vai elektriskie sildītāji.

PIRMS PIRMĀS LIETOŠANAS - (E attēls)

Savienojiet savienotājus ar gaisa izplūdes kanālu šādi:

1. Izvelciet gaisa izplūdes kanālu (9), izvelkot abus kanāla galus.

2. Ieskrūvējiet gaisa izplūdes kanālu (9) gaisa izplūdes kanāla (10) savienotājā.

3. Pievienojiet ierīcei gaisa izplūdes kanāla (10) savienotāju.

PIEZĪMES:

1. Lai izvairītos no elektromagnētiskiem traucējumiem, turiet ierīci vismaz 1 metru attālumā no televizora vai radio.

2. Nepakļaujiet ierīci tiešai saules gaismai, lai izvairītos no virsmas krāsas izbalēšanas.

3. Nepārvietojiet ierīci transportēšanas laikā vairāk par 35 ° vai otrādi. Ja ierīce transportēšanas laikā ir apgriezta, nolieciet to pareizi

un nogaidiet 2–4 stundas pirms tās iedarbināšanas.

4. Novietojiet iekārtu uz līdzenas virsmas ar mazāk nekā 5 ° slīpumu.

5. Iekārta darbojas efektīvāk noteiktās telpu vietās, izvēlieties labāko atrašanās vietu:

- Blakus logam, durvīm vai franču logam.

- Ievērojiet vajadzīgo attālumu no atgaitas gaisa izplūdes līdzenai vai citiem šķēršļiem vismaz 60 cm.

- Pagariniet gaisa šļūteni, lai nodrošinātu, ka gaisa šļūtenes otrā galā ir atstarpe starp loga durvīm, franču logu vai sienas caurumu.

- Gaisa izplūdi vai ieplūdi nevar aizsprostot aizsargtīkls vai kāds šķērslis.

Lai pagarinātu iekārtas kalpošanas laiku, sezonas beigās izlejiet kondensēto ūdeni no kanalizācijas atveres (8).

#### IERĪCES APRAKSTS (A un B attēls)

- |                             |                                       |
|-----------------------------|---------------------------------------|
| 1. Vadības panelis          | 2. Aukstā gaisa izplūde               |
| 3. Signāla uztvērējs        | 4. Tālvadības pults                   |
| 5. Transportēšanas rokturis | 6. Izplūdes kanāls                    |
| 7. Iztvaicētāja ieplūde     | 8. Iztukšošanas aizbāznis             |
| 9. Gaisa izplūdes kanāls    | 10. Gaisa izplūdes kanāla savienotājs |
| 11. Logu izplūdes adapteris |                                       |

#### KONTROLES PANELIS (C attēls)

- |  |  |
|--|--|
| A. Barošanas poga                            | B. Ventilatora ātruma poga                     |
| C. Režīma poga                               | D. Taimera / temperatūras paaugstināšanas poga |
| E. Taimera / temperatūras pazemināšanas poga | F. Ventilatora zema ātruma indikators          |
| G. Ventilatora ātrgaitas indikators          | K. Atdzesēšanas režīma indikators              |
| L. Sausināšanas režīma indikators            | M. Ventilatora režīma indikators               |
| N. Taimera poga                              | R. WF - pilna ūdens indikators                 |
| S. Iestatiet temperatūru / taimera displejs  | W. Taimera indikators                          |

#### Tālvadības pults - attēls D

Tālvadības pults pārraida signālus signāla uztvērējam (3).

Poga "A" - ierīce tiks ieslēgta, kad tā tiks aktivizēta, vai tiks izslēgta, kad tā darbojas, ja nospiežat šo pogu.

Poga "C" - nospiediet to, lai izvēlētos darbības režīmu: "K", "L" vai "M". Piemērotais indikators iedegsies.

Poga "B" - nospiediet to, lai secīgi izvēlētos ventilatora ātrumu. Piemērotais indikators iedegsies.

Poga "D" / "E" - nospiediet, lai iestatītu vēlamo temperatūru telpā vai taimerī. Displejā "S" norādīta vēlamā temperatūra, nevis esošā temperatūra telpā.

Poga "N" - nospiediet, lai iestatītu automātiskās izslēgšanās un automātiskās ieslēgšanās laiku.

#### KONTROLES PANEĻA DARBĪBA

##### COOL / DRY / FAN

1. Ieslēdziet ierīci.

a) Pievienojiet ierīci un pēc tam ierīce pīkst vienu reizi.

b) Nospiediet pogu "A", tad ierīce ieslēgsies.

c) LED displejs norāda iestatīto temperatūru.

2. Izvēlieties darbības režīmu

Nospiediet pogu "C", lai secīgi izvēlētos vēlamo darbības režīmu:

Dzesēšanas režīms "K" -> Žāvēšanas režīms "L" -> Ventilatora režīms "M."

3. Pielāgojiet temperatūru

Temperatūru var iestatīt diapazonā no 16 ° -31 ° C. Nospiediet "D" vai "E" pogu, lai palielinātu vai samazinātu temperatūru par 1 ° C, vienu reizi nospiežot. Ierīces LED panelis 5 sekundes parāda mērķa temperatūru un pēc tam parāda iestatīto temperatūru, nevis esošo temperatūru telpā.

Pēc temperatūras iestatīšanas dzesēšanas režīmā "K", ja atkal izvēlaties dzesēšanas režīmu "K" vai ventilatora režīmu "M", LED displejs norāda noklusējuma mērķa temperatūru 25 ° C.

4. Pielāgojiet ventilatora ātrumu

Nospiediet pogu "B", lai secīgi izvēlētos vēlamo ventilatora ātrumu.

Zems ātrums "F" -> Liels ātrums G

5. Jauda

Vēlreiz nospiežot pogu "A", ierīce atskanēs "di" un pārstās darboties.

6. Nospiediet šo pogu "N", lai iestatītu taimerī.

Režīmu darbības principi:

Mitrināšanas režīms "L":

1. Ventilators darbosies ar mazu ātrumu, un ātrumu nevar regulēt.

Temperatūras regulēšana nav efektīva. Ierīce automātiski noregulē iestatīto temperatūru līdz 2 °C zem istabas temperatūras, ieejot sausināšanas režīmā.

2. Ja istabas temperatūra ≤ 16 °C, nevar sausināt, ventilators darbosies ar mazu ātrumu.

**BRĪDINĀJUMS:**

Darbinot ierīci mainīga mitruma apstākļos, iztukšošanas aizbāžņam (8) jābūt pastāvīgi atvērtam un jānodrošina pastāvīga ūdens novadīšana. Lai ērti iztukšotu ūdeni, izmantojiet komplektā iekļauto cauruli.

COOL "K" režīms:

1. Kad telpas temperatūra ir augstāka par vadības panelī iestatīto temperatūru, kompresors sāk darboties. Ierīce atdzesē telpu.

2. Ja telpas temperatūra ir zemāka par vadības panelī noteikto temperatūru, kompresors apstājas un ventilators darbojas ar sākotnēji iestatīto ātrumu.

Ventilatora "M." režīms.

1. Ventilators darbojas ar iestatīto ātrumu, un kompresors nedarbojas.

2. Temperatūras regulēšana nav efektīva.

Taimera darbība "N":

1. Nospiediet "N" pogu, lai iestatītu automātiskās izslēgšanās laiku, kamēr iekārta darbojas.

2. Nospiediet "N" pogu, lai iestatītu automātisko ieslēgšanās laiku, kamēr iekārta ir gatava.

3. Laiku var regulēt diapazonā no 1 stundas līdz 24 stundām, nospiežot pogu "D" (+) vai "E" (-).

Piezīme:

Galvenajam vadības panelim ir atmiņas funkcija, kad ierīce ir gatava darbam, bet ir apturēta, galvenā vadības pults var iegaumēt darba režīma inicializāciju. Ieslēdzot iekārta, tā darbosies tāpat kā iepriekšējā darba režīmā, nav nepieciešams atkārtoti atiestatīt darba režīmu.

Tālvadības pults

1. Bīdīet aizmugurējo vāku, lai atvērtu un noņemtu bateriju izolācijas plēvi.

2. Ievietojiet baterijas nodalījumā ar pareizo pusi. Bateriju poliem jāatbilst zīmēm "+" un "-" uz tālvadības pults.

3. Ilgu laiku nelietojiet, izņemiet baterijas.

4. Lai novērstu vides piesārņojumu, izņemiet izlietotās baterijas un atbrīvojieties no drošības un atbilstoši.

Lai darbinātu ierīci, pavērsiet tālvadības pultī (4) pret signāla uztvērēju (3). Tālvadības pults (4) darbinās ierīci 5 metru attālumā, norādot uz ierīces signāla uztvērēju (3).

**AIZSARDZĪBAS IERĪCES**

Aizsargierīce var iedarbināt un apturēt ierīci šādos gadījumos:

1. dzesēšanas režīmā: iekštelpu gaisa temperatūra ir virs 43 °C

2. dzesēšanas režīmā: istabas temperatūra ir zemāka par 16 °C

3. sausināšanas režīmā: istabas temperatūra ir zemāka par 16 °C

Ja ierīce darbojas dzesēšanas režīmā "K" vai sausina "L" režīmu ar atvērtām durvīm vai logu ilgu laiku, ja relatīvais mitrums ir virs 80%, no izplūdes atveres var pilēt ūdens.

Aizsardzības ierīce darbosies šādos gadījumos:

1. Ierīces restartēšana tūlīt pēc darba pārtraukšanas vai izvēlēta režīma maiņas darba laikā jāgaida 3 minūtes.

2. Ja kontaktdakša ir atvienota, pēc restartēšanas ierīce atgriezīsies sākotnējā režīmā, TIMER ON un TIMER OFF - jāiestata vēlreiz.

**PIEZĪME:** šajā ierīcē ir paslēpta kondensācijas ūdens pārstrāde. Kondensācijas ūdens daļēji tiek pārstrādāts starp kondensatoru un iebūvētu ūdens plāksni. Kad ūdens līmenis paaugstinās līdz augšējam līmenim, tas tiek pacelts ar pludiņa slēdzi, tad (W.F.) iedegas pilna ūdens līmeņa indikators "R", lai atgādinātu par ūdens novadīšanu. Lūdzu, pārtrauciet strāvas padevi, pārvietojiet ierīci uz piemērotu vietu, noņemiet iztukšošanas aizbāzni, pilnībā izlejiet ūdeni. Pēc iztukšošanas ievietojiet atpakaļ iztukšošanas aizbāzni (8), pretējā gadījumā ierīce var noplūst un padarīt telpu mitru. Ja tas netiek iztukšots 5 minūtes pēc W.F. Ja indikators ir ieslēgts, displejā parādīsies E4.

Ja iekārta ir novietota vietā, kur iepļūst notekūdeņi, jūs varat arī piesienot kanalizācijas cauruli ar kanalizācijas atveri, lai iztukšotu ūdeni. Komplektam pievienota kanalizācijas caurule ar iekšējo diametru 9mm, ārējo diametru 12mm, materiāls: PVC.

Traucējummeklēšana

1) Problēma: nestrādājiet.

Analīze:

a) iespējams, ir aizsprostots aizsargs vai drošinātājs, lūdzu, pagaidiet 3 minūtes un sāciet no jauna, iespējams, aizsargierīce neļauj ierīcei darboties.

c) varbūt tālvadības pults baterijas ir izlādējušās.

d) varbūt kontaktdakša nav pareizi pievienota.

2) Problēmas: darbojas tikai īsu laiku

Analīze:

a) ja iestatītā temperatūra ir tuvu istabas temperatūrai, varat pazemināt iestatīto temperatūru.

b) varbūt gaisa izplūdi aizšķērso šķērslis. Noņemiet šķērslis.

3) nepatikšanas: darbojas, bet ne atdziest

Analīze:

a) varbūt durvis vai logs ir atvērti.

b) iespējams, ka tuvumā atrodas kāda cita ierīce, kas darbojas siltumā, piemēram, sildītājs vai lampa utt.

c) gaisa filtrs ir netīrs, lūdzu, notīriet to.

d) ir bloķēta gaisa izplūde vai iepļūde.

f) iestatītā temperatūra ir pārāk augsta.

4) Problēma: ūdens noplūde pārvietošanās laikā.

Analīze:

a) pirms pārvietošanas iztukšojiet kondensātu.

b) lai izvairītos no ūdens noplūdes, lūdzu, novietojiet ierīci uz līdzenas zemes.

5) Problēma: nestrādājiet un iedegas ūdens piepildīšanas indikators "W.F"

Analīze:

a) izvelciet gumijas aizbāzni, lai iztukšotu ūdeni.

b) ja tas bieži ir šādā stāvoklī, lūdzu, sazinieties ar kvalificētu servisa tehniķi.

Traucējummeklēšana

6) Problēma: ierīce neizdodas startēt.

Analīze:

a) varbūt nav pievienots. Tātad, pievienojiet to.

b) varbūt kontaktdakšas vai kontaktligzdas bojājumi. Aizstāt ar pakalpojumu sniedzēju.

c) varbūt drošinātājs ir salauzts. Nomainiet drošinātāju ar pakalpojumu sniedzēju (specifikācija: 3,15A/250VAC).

7) Problēma: ierīce automātiski apstājas.

Analīze:

a) izslēgšanas laiks vai sasniegta iestatītā temperatūra. Restartējiet to vai gaidiet automātisko pārslēgšanos.

8) Problēma: režīmā COOL "K" nav auksta gaisa.

Analīze:

a) istabas temperatūra ir zemāka par iestatīto temperatūru. Tā ir normāla parādība, iekārta automātiski pārslēgsies, kamēr telpas temperatūra ir augstāka par iestatīto temperatūru.

b) ierīce ir aizsargāta pret salu. Ierīce automātiski pārslēgsies pēc aizsardzības pret salu beigām.

9) Problēma: LED displejs norāda kļūmes kodu "E0"

Analīze:

a) istabas temperatūras sensors nedarbojas vai ir bojāts. Nomainiet pakalpojumu sniedzējs telpas temperatūras sensoru.

10) Problēma: LED displejs norāda kļūmes kodu "E4"

Analīze:

a) brīdinājums par pilnu ūdeni. Izlejiet ūdeni.

TĪRĪŠANA UN APKOPE

Ierīces apkope

1. Pirms atvienošanas no barošanas avota vispirms izslēdziet ierīci.

2. Noslaukiet ar mīkstu un sausu drānu. Ja ierīce ir ļoti netīra, izmantojiet remdenu ūdeni zem 40 ° C.

3. Nekad neizmantojiet ierīces tīrīšanai gaistošas vielas, piemēram, benzīnu vai pulēšanas pulveri.

Gaisa filtra apkope

Gaisa filtrs ir jātīra ik pēc 2 nedēļām, ja ierīce darbojas ārkārtīgi putekļainā vidē. Notīriet šādi:

1. Vispirms apturiet ierīci, paceliet gaisa filtru uz augšu (F attēls).

2. Notīriet un atkal uzstādiet gaisa filtru.

3. Ja netīrumi ir pamanāmi, nomazgājiet tos ar mazgāšanas līdzekļa šķīdumu remdenā ūdenī. Pēc tīrīšanas nosusiniet to ēnainā un

vēsā vietā, pēc tam uzstādiel to no jauna.

Apkope pēc sezonas lietošanas

1. Ja ierīce netiks lietota ilgāku laiku, noteikti izvelciel iztukšošanas atveres (8) gumijas aizbāzni, lai iztukšotu ūdeni.
2. Turiet ierīci darbībā ar ventilatora režīmu tikai pusi dienas saulainā dienā, lai izžvētu ierīci un novērstu tās sapelēšanu.
3. Apturiet ierīci un izvelciel strāvas vada kontaktdakšu, pēc tam izņemiet tālvadības pults baterijas un pareizi uzglabāiet ierīci.
4. Notīriet gaisa filtru un ievietojiet to atpakaļ.
5. Noņemiet gaisa šūtenes un uzglabāiet tās pareizi, un cieši aizveriet caurumu.

TEHNISKIE DATI:

Dzesēšanas jauda pie BTU: 9000 BTU / stundā

Dzesēšanas jauda vatos: 2600 W

Enerģijas patēriņš (dzesēšana) W: 950 W

Skalums: <= 64 dB

Gaisa plūsma: 270 m<sup>3</sup> / h

Enerģijas klase: A

Taimeris: 24 stundas

R290 dzesēšanas šķidruma svars: maks. 160 grami

Sprigums 220-240V ~ 50Hz



Piesardzība, ugunsbīstamība.

NAV caurdurt un nedezināt.

Ņemiet vērā, ka dzesēšanas šķidrumam nedrīkst būt smakas.

Maksimālais dzesēšanas šķidruma uzlādes daudzums: 160 g.



Apkārtējās vides aizsardzība. Kartona iepakojumu, lūdzu, nododiet atsevišķai pārstrādei. Polietilēna maisiņus (PE) izmest plastmasas izstrādājumiem paredzētajos konteineros. Lietotās elektropreces nododiet attiecīgajos pieņemšanas punktos. Ierīcē satur bīstamas sastāvdaļas, kas var izraisīt draudus apkārtējai videi. Elektroierīce jānodod tā, lai ierobežotu tās atkārtotu izmantošanu. Ja ierīcē atrodas baterijas, izņemiet tās un nododiet pieņemšanas punktā atsevišķi. Produktu neizmest sadzīves atkritumu konteinerā!

## EESTI

### ÜLDISED OHUTUSTINGIMUSED

#### OLULISED OHUTUSJUHISED LUGEGE ETTEVAATUST JA HOIDKE TULEVIKKU

1. Enne seadme kasutamist lugege kasutusjuhendit ja järgige selles sisalduvaid juhiseid. Tootja ei vastuta kahjude eest, mis on põhjustatud seadme eesmärgipärasest kasutamisest või ebaõigest kasutamisest.
2. Seade on ette nähtud ainult koduseks kasutamiseks. Ärge kasutage muuks otstarbeks kui otstarbeks.
3. Seadme toiteallikat tuleks ühendada ainult maandatud 220 240 V ~ 50 Hz sagedusega. Tööohutuse suurendamiseks ei tohiks mitu vooluahelat üheaegselt ühendada.
4. Kui olete läheduses, kasutage seadet eriti ettevaatlikult. Ärge lubage lastel seadmega mängida, ärge lubage lastel ega inimestel, kes pole seadmega tuttavad, seda kasutada.
5. HOIATUS. Seda seadet võivad kasutada üle 8-aastased lapsed ja piiratud füüsilise, sensoorse või vaimse võimekusega inimesed või inimesed, kellel pole seadme kasutamise kohta kogemusi ega teadmisi, kui seda tehakse vastutava isiku järelevalve all. nende ohutuse tagamiseks või neile on antud teavet seadme ohutu kasutamise kohta ja nad on teadlikud selle kasutamise seadmisest ohtudest. Lapsed ei tohiks varustusega mängida. Seadme puhastamist ja hooldamist tohivad teha ainult lapsed, välja arvatud juhul, kui nad on üle 8 aasta vanad ja neid toiminguid teostatakse järelevalve all.

6. Ühendage toitepistik alati lahti, hoides pärast kasutamist pistikupesast käega. ÄRGE tõmmake toitejuhtmest.
7. Ärge kastke kaablit, pistikut ja kogu seadet vette ega muusse vedelikku. Ärge jätke seadet atmosfääriolude (vihm, päike jne) kätte ega kasutage kõrge õhuniiskusega tingimustes (vannituba, niiske liikuv kodu).
8. Kontrollige perioodiliselt toitejuhtme seisukorda. Kui toitejuhe on kahjustatud, peaks selle ohu vältimiseks välja vahetama spetsialiseeritud remonditöökojas.
9. Ärge kasutage seadet kahjustatud toitejuhtmega, kui see on maha kukkunud või muul viisil kahjustatud või kui see ei tööta korralikult. Ärge parandage seadet ise, kuna seal võib tekkida elektrilöögi oht. Viige kahjustatud seade kontrollimiseks või parandamiseks vastavasse teeninduskeskusesse. Kõiki remonditöid tohivad teha ainult selleks volitatud teeninduspunktid. Valesti tehtud remonditööd võivad kasutajale põhjustada tõsiseid ohte.
10. Asetage seade jahedale, kindlale pinnale, eemal kuumadest köögiseadmetest, nagu näiteks: elektripliit, gaasipõleti jne.
11. Veenduge, et miski ei blokeeri seadme õhu sisse- ja väljalaskeava
12. Kasutage seadet ainult tasasel pinnal, et vältida kondensaadi väljavoolamist
13. Täiendava kaitse tagamiseks on soovitatav paigaldada vooluahelasse jääkvoolu seade (RCD), mille nimijägivool ei ületa 30mA. Küsige seda elektrikult.
14. Puhastage regulaarselt õhufiltrit. Puhastamise sagedus sõltub õhu puhtusest.
15. Pärast masina väljalülitamist oodake enne sisselülitamist vähemalt 5 minutit.
16. Ärge kasutage seadet päikesepaistelistes kohtades. Kui seade üle kuumeneb, lülitatakse ülekuumenemise kaitse seade sisse.
17. Tõhusa jahutuse tagamiseks tuleks seadme külgeinte ja seinu või mööbli või kardinate vahel hoida vähemalt 60 cm vahemaa.
18. Seadme piiratud jõudluse tõttu võib sihttemperatuuri mitte saavutada, kui sihttemperatuuri ja ümbritseva õhu temperatuuride erinevus on liiga suur.
19. Tulekahju, elektrilöögi või vigastuste ohu vähendamiseks kliimaseadme kasutamisel järgige järgmisi põhilisi ettevaatusabinõusid:
  - a) Ühendage 3 tihvtiga maandatud pistikupesaga.
  - b) Ärge eemaldage maandusharku.
  - c) Ärge kasutage adapterit.
  - d) Ärge kasutage pikendusjuhet.
  - e) Enne hooldust ühendage konditsioneer lahti.
  - f) Kliimaseadme teisaldamiseks ja paigaldamiseks kasutage kahte või enam inimest.
20. Sulatamise või puhastamise kiirendamiseks kasutage ainult tootja soovitatud vahendeid.
21. Seadet tuleks hoida ruumis, kus pole pidevalt töötavaid süüteallikaid, näiteks: lahtine tuli, gaasiseadmed või elektrikerised.

ENNE ESIMEST KASUTAMIST - (pilt E)

Ühendage pistikud õhu väljalaskekanaliga järgmiselt.



1. Tõmmake õhu väljalaskekanal (9) välja, tõmmates välja kanali mõlemad otsad.
2. Keerake õhu väljalaskekanal (9) õhu väljalaskekanali (10) pistikusse.
3. Ühendage õhu väljalaskekanali (10) pistik seadmega.

#### MÄRKUSED:

1. Elektromagnetiliste häirete vältimiseks hoidke seadet televiisorist või raadiost vähemalt 1 meetri kaugusel.
  2. Ärge jätke seadet otsese päikesevalguse kätte, et vältida pinna värvi tuhmumist.
  3. Ärge kallutage seadet transportimisel üle 35 ° ega tagurpidi. Kui seade on transportimise ajal ümber pööratud, pange see õigesti maha ja oodake 2-4 tundi enne selle käivitamist.
  4. Asetage seade tasasele pinnale, mille kalle on alla 5 °.
  5. Seade töötab teatud ruumides tõhusamalt, valige parim asukoht:
    - Akna, ukse või prantsuse akna kõrval.
    - Hoidke nõutud kaugus tagasivoolu väljalaskeavast seina või muude takistusteni vähemalt 60 cm.
    - Pikendage õhuvoolikut, veendumaks, et õhuvooliku teises otsas on vaba ruumi aknaukse, prantsuse akna või seinavaa vahel.
    - Õhu väljalaskeava või sisselaskeava ei saa blokeerida kaitsevõre ega mõne muu takistusega.
- Seadme eluea pikendamiseks tühjendage kondenseerunud vesi äravooluavast (8), enne kui panete seadme hooaja lõpus lattu.

#### SEADME KIRJELDUS (pildid A ja B)

- |                            |                                  |
|----------------------------|----------------------------------|
| 1. Juhtpaneel              | 2. Külma õhu väljalaskeava       |
| 3. Signaalireseptor        | 4. Kaugjuhtimispuult             |
| 5. Transpordikäepide       | 6. Väljalaskekanal               |
| 7. Aurusti sisselaskeava   | 8. Tühjenduskork                 |
| 9. Õhu väljalaskekanal     | 10. Õhu väljalaskekanali ühendus |
| 11. Akna väljalaskeadapter |                                  |

#### JUHTPANEEL (joonis C)

- |  |  |
|--|--|
| A. Toitenupp                             | B. Ventilaatori kiiruse nupp           |
| C. Režiimi nupp                          | D. Taimer / temperatuuri tõstmise nupp |
| E. Taimer / temperatuuri alandamise nupp | F. Ventilaatori väikese kiiruse näidik |
| G. Ventilaatori suure kiiruse näidik     | K. Jahutusrežiimi näidik               |
| L. Kuivatusrežiimi näidik                | M. Ventilaatori režiimi näidik         |
| N. Taimer nupp                           | R. WF - täisvee indikaator             |
| S. Seadistage temperatuur / taimerikuva  | W. Taimer indikaator                   |

#### Kaugjuhtimispuult - pilt D

Kaugjuhtimispuult edastab signaale signaali vastuvõtjale (3).

Nupp "A" - seade käivitub, kui see on pingestatud, või peatub selle töö ajal, kui vajutate seda nuppu.

Nupp "C" - vajutage seda töörežiimi valimiseks: "K", "L" või "M". Sobiv indikaator süttib.

Nupp "B" - vajutage seda, et valida ventilaatori kiirus järjestikku. Sobiv indikaator süttib.

Nupp "D" / "E" - vajutage soovitud temperatuuri seadmiseks toas või taimeril. Ekraanil „S” on soovitud temperatuur, mitte ruumis olev temperatuur.

Nupp "N" - vajutage automaatse väljalülituse ja automaatse sisselülitamise aja määramiseks.

#### KONTROLLPANEELI KASUTAMINE

##### COOL / DRY / FAN

1. Lülitage seade sisse.

- a) Ühendage seade ja seejärel piiksub üks kord.
- b) Vajutage nuppu "A", siis lülitub seade sisse.
- c) LED -ekraan näitab seadistatud temperatuuri.

2. Valige töörežiim

Vajutage nuppu "C", et valida soovitud töörežiim järjestuse järgi:

Jahutusrežiim "K" -> Kuivatusrežiim "L" -> Ventilaatorirežiim "M."

3. Reguleerige temperatuuri

Temperatuuri saab reguleerida vahemikus 16 ° -31 ° C. Vajutage "D" või "E" nuppu, et ühe korra vajutades temperatuuri tõsta või vähendada 1 ° C võrra. Seadme LED -paneel näitab soovitud temperatuuri 5 sekundi jooksul ja kuvab seejärel seatud temperatuuri, mitte ruumi temperatuuri.

Pärast temperatuuri seadistamist jahutusrežiimis „K”, kui valite uuesti jahutusrežiimi „K” või ventilaatorirežiimi „M”, näitab LED -ekraan vaiketemperatuuri 25 ° C.

#### 4. Reguleerige ventilaatori kiirust

Vajutage nuppu "B", et valida soovitud ventilaatori kiiruse näitamine järjestuse järgi:

Madal kiirus "F" -> Suur kiirus G

#### 5. Võimsus

Kui vajutate uuesti nuppu "A", kõlab seade "di" ja lakkab töötamast.

#### 6. Taimeri seadistamiseks vajutage seda nuppu "N".

Režiimide tööpõhimõtted:

Kuivatusrežiim "L":

1. Ventilaator töötab madalal kiirusel ja kiirust ei saa reguleerida.

Temperatuuri reguleerimine ei ole tõhus. Kuivatusrežiimi sisenedes reguleerib seade automaatselt seatud temperatuuri 2 ° C alla toatemperatuuri.

2. Kui toatemperatuur on  $\leq 16$  °C, ei saa kuivatada, töötab ventilaator madalal kiirusel.

HOIATUS:

Seadme kasutamisel erineva niiskusega tingimustes peab tühjenduskork (8) olema pidevalt avatud ja tagama pideva vee äravoolu. Mugavaks vee ärajuhitumiseks kasutage komplekti kuuluvat toru.

JAHU "K" režiim:

1. Kui toatemperatuur on juhtpaneelil seadistatud temperatuurist kõrgem, hakkab kompressor tööle. Seade jahutab ruumi.

2. Kui toatemperatuur on juhtpaneelil seadistatud temperatuurist madalam, seiskub kompressor ja ventilaator töötab algseadistatud kiirusel.

Ventilaatori "M." režiim.

1. Ventilaator töötab seadistatud kiirusel ja kompressor ei tööta.

2. Temperatuuri reguleerimine ei ole tõhus.

Taimeri toiming "N":

1. Vajutage "N" nuppu, et seadistada automaatne väljalülitusaeg seadme töötamise ajal.

2. Vajutage "N" nuppu, et seadistada automaatne sisselülitusaeg, kui seade on valmis.

3. Aega saab reguleerida vahemikus 1 tund kuni 24 tundi, vajutades nuppu "D" (+) või "E" (-).

Märkus:

Põhipuldil on mälu funktsioon, kui seade on töövalmis, kuid seiskunud, saab juhtpaneel töörežiimi lähtestamise meelde jätta.

Seadme sisselülitamisel töötab see sama töörežiimi nagu eelmisel korral, pole vaja töörežiimi uuesti lähtestada.

Kaugjuhtimispuul

1. Lükake tagakaas lahti ja eemaldage patareide eralduskile.

2. Sisestage patareid sahtlisse õige küljega. Patareide poolused peavad vastama kaugjuhtimispuuldi märkidele "+" ja "-".

3. Pikka aega kasutamata, võtke patareid välja.

4. Keskkonnareostuse vältimiseks võtke kasutatud patareid välja ja visake ohutus ning nõuetekohaselt ära.

Seadme kasutamiseks suunake kaugjuhtimispuuldi (4) signaali vastuvõtja (3) poole. Kaugjuhtimispuuldi (4) juhib seadet 5 meetri kaugusel, kui see osutab seadme signaalireseptorile (3).

KAITSEVAHENDID

Kaitseseade võib seadme välja lülitada ja seiskuda järgmistel juhtudel:

1. jahutusrežiimis: siseõhu temperatuur on üle 43 ° C

2. jahutusrežiimis: toatemperatuur on alla 16 ° C

3. kuivatusrežiimis: toatemperatuur on alla 16 ° C

Kui seade töötab jahutusrežiimis „K“ või kuivatab režiimi „L“, kui uks või aken on avatud pikka aega, kui suhteline õhuniiskus on üle 80%, võib väljalaskevast tilkuda kaste.

Kaitseseade töötab järgmistel juhtudel:

1. Taaskäivitage seade kohe pärast töö lõpetamist või valitud režiimi muutmist töötamise ajal, peate ootama 3 minutit.

2. Kui pistik on eemaldatud, naaseb seade pärast taaskäivitamist algrežiimi, TIMER ON ja TIMER OFF - tuleb uuesti seadistada.

TÄHELEPANU: selles seadmes on kondensvee ringlussevõtt. Kondenseeruv vesi ringleb osaliselt kondensaatori ja sisseehitatud veeplaadi vahel. Kui veetase tõuseb ülemisele tasemele, tõstetakse seda ujukülili abil, seejärel (W.F.) süttib täisveetaseme

indikaator "R", mis tuletab meelde vee tühjendamist. Katkestage toide, viige seade sobivasse kohta, eemaldage tühjendus kork ja tühjendage vesi täielikult. Pärast äravoolu paigaldage tühjendus kork (8) uuesti, vastasel juhul võib seade lekkida ja muuta teie ruumi märjaks. Kui seda ei tühjendata 5 minutit pärast W.F. Kui indikaator on sisse lülitatud, kuvatakse ekraanil E4.

Kui seade on paigutatud äravoolu võimaldavas kohta, saate vee ärajuhtimiseks ühendada äravoolutoru ka äravooluavaga. Komplektile on lisatud äravoolutoru, siseläbimõõt 9mm, välisläbimõõt 12mm, materjal: PVC.

Törkeotsing

1) Häda: ärge töötage.

Analüüs:

a) võib -olla kaitselüliti või kaitse on läbi põlenud, oodake 3 minutit ja alustage uuesti, kaitse seade võib takistada seadme töötamist.

c) võib -olla on kaugjuhtimispuhasti patareid tühjad.

d) võib -olla pole pistik korralikult ühendatud.

2) Häda: töötab ainult lühikest aega

Analüüs:

a) kui seadistatud temperatuur on toatemperatuuri lähedal, saate seadistatud temperatuuri alandada.

b) võib -olla takistab õhu väljalaskeava. Võtke takistus ära.

3) Häda: töötab, kuid mitte jahtub

Analüüs:

a) võib -olla on uks või aken avatud.

b) võib -olla on läheduses mõni teine seade, mis töötab kuumutades, näiteks küttekeha või lamp jne.

c) õhufilter on määrdunud, puhastage see.

d) õhu väljalaskeava või sisselaskeava on blokeeritud.

f) seadistatud temperatuur on liiga kõrge.

4) Häda: vee leke kolimise ajal.

Analüüs:

a) tühjendage kondensaat enne kolimist.

b) vee lekke vältimiseks asetage seade tasasele pinnale.

5) Probleem: ärge töötage ja vett täis indikaator "W.F" süttib

Analüüs:

a) tõmmake vee väljalaskmiseks kummikork välja.

b) kui see on sageli selles olekus, võtke ühendust kvalifitseeritud tehnilise teenindusega.

Törkeotsing

6) Probleem: seade ei käivitu.

Analüüs:

a) võib -olla pole ühendatud. Niisiis, ühendage see.

b) võib juhtuda, et pistik või pistikupesa on kahjustatud. Asendage teenusepakkuja poolt.

c) võib -olla kaitsme purunemine. Asendage kaitsja teenusepakkuja poolt (spetsifikatsioon: 3,15A/250VAC).

7) Probleem: seade peatub automaatselt.

Analüüs:

a) seiskamise ajastus või seatud temperatuur on saavutatud. Taaskäivitage see või oodake automaatset lülitumist.

8) Häda: COOL "K" režiimis pole külma õhku.

Analüüs:

a) toatemperatuur on seadistatud temperatuurist madalam. See on normaalne nähtus, masin lülitub automaatselt sisse, kui toatemperatuur on seadistatud temperatuurist kõrgem.

b) Seade kaitseb külma. Pärast külmumisvastase kaitse lõppemist lülitub seade automaatselt sisse.

9) Häda: LED -ekraan näitab tõrkekoodi "E0"

Analüüs:

a) toatemperatuuri andur ebaõnnestub või on kahjustatud. Asendage toatemperatuuriandur teenusepakkuja poolt.

10) Probleem: LED -ekraan näitab tõrkekoodi "E4"

Analüüs:

a) vee täis hoiatus. Tühjendage vesi.

TIRIŠANA UN APKOPE

Ierices apkope

1. Pirms atvinošanas no barošanas avota vispirms izslēdziet ierīci.

2. Noslaukiet ar mikstu un sausu drānu. Ja ierīce ir ļoti netīra, izmantojiet remdenu ūdeni zem 40 ° C.

3. Nekad neizmantojiet ierīces tīrīšanai gaistošas vielas, piemēram, benzīnu vai pulēšanas pulveri.

Gaisa filtra apkope

Gaisa filtrs ir jātīra ik pēc 2 nedēļām, ja ierīce darbojas ārkārtīgi puteļainā vidē. Notīriet šādi:

1. Vispirms apturiet ierīci, paceliet gaisa filtru uz augšu (F attēls).
2. Notīriet un atkal uzstādiet gaisa filtru.
3. Ja neīrums ir pamanāmi, nomazgājiet tos ar mazgāšanas līdzekļa šķīdumu remdenā ūdenī. Pēc tīrīšanas nosusiniet to ēnainā un vēsā vietā, pēc tam uzstādiet to no jauna.

Apkope pēc sezonas lietošanas

1. Ja ierīce netiks lietota ilgāku laiku, noteikti izvelciet iztukšošanas atveres (8) gumijas aizbāzni, lai iztukšotu ūdeni.
2. Turiet ierīci darbībā ar ventilatora režīmu tikai pusi dienas saulainā dienā, lai izžvētu ierīci un novērstu tās sapelēšanu.
3. Apturiet ierīci un izvelciet strāvas vada kontaktdakšu, pēc tam izņemiet tālvadības pults baterijas un pareizi uzglabājiet ierīci.
4. Notīriet gaisa filtru un ievietojiet to atpakaļ.
5. Noņemiet gaisa šūtenes un uzglabājiet tās pareizi, un cieši aizveriet caurumu.

TEHNISKIE DATI:

Dzesēšanas jauda pie BTU: 9000 BTU / stunda

Dzesēšanas jauda vatos: 2600 W

Enerģijas patēriņš (dzesēšana) W: 950 W

Skaļums: <= 64 dB

Gaisa plūsma: 270 m<sup>3</sup> / h

Enerģijas klase: A

Taimeris: 24 stundas

R290 dzesēšanas šķidrums: maks. 160 grami

Spriegums 220-240V ~ 50Hz



Ettevaatust, tuleoht.

MITTE läbistada ega põletada.

Pange tähele, et külmutusagens ei pruugi lõhna sisaldada.

Maksimaalne külmutusagensi laadimiskogus: 160 g.



Hoolitse keskkonnakaitse eest.

Kartongist pakendid vii makulatuuri. Kilekotid (PE) viska kasutatud plastiku jaoks ettenähtud mahutitesse. Kasutatud seadmed vii selleks ettenähtud kogumispunktidesse, sest seadmes leiduvad ohtlikud elemendid võivad olla kahjulikud keskkonnale. Elektriseadmed tuleb anda nii ära, et seadet ei saaks enam uuesti kasutada. Kui seadmes on patareid, tuleb need välja võtta ja anda eraldi kogumispunkti. Seadet ei tohi visata olmejäätmete konteineritesse!!

## ROMÂNĂ

### CONDIȚII GENERALE DE SIGURANȚĂ

### INSTRUCȚIUNI DE SIGURANȚĂ IMPORTANTE CITIȚI ÎNCETARE ȘI SALVAȚI PENTRU VIITOR

1. Înainte de a utiliza dispozitivul, citiți manualul de operare și urmați instrucțiunile conținute de acesta. Producătorul nu este responsabil pentru daunele cauzate de utilizarea dispozitivului contrar scopului intenționat sau a funcționării necorespunzătoare a acestuia.
2. Aparatul este numai pentru uz casnic. Nu folosiți în alte scopuri care nu sunt destinate scopului său.
3. Dispozitivul trebuie conectat numai la o priză de curent alternativ cu o masă de pământ 220 240V ~ 50Hz. Pentru a spori siguranța operațională, mai multe dispozitive electrice nu ar trebui conectate la un circuit de curent în același timp.
4. Aveți precauție extremă atunci când utilizați dispozitivul când copiii sunt în apropiere. Nu permiteți copiilor să se joace cu dispozitivul, nu lăsați copiii sau persoanele necunoscute de dispozitiv să-l folosească.
5. AVERTIZARE: Acest echipament poate fi utilizat de copii peste 8 ani și de persoane cu capacitate fizică, senzorială sau mentală limitată sau de persoane care nu au experiență sau cunoștințe despre echipament, dacă acest lucru este realizat sub supravegherea unei persoane responsabile pentru siguranța lor sau le-a fost oferită

- informații despre utilizarea în siguranță a dispozitivului și sunt conștienți de pericolele folosirii acestuia. Copiii nu ar trebui să se joace cu echipamentul. Curățarea și întreținerea dispozitivului nu trebuie să fie efectuată de către copii, cu excepția cazului în care au peste 8 ani și aceste activități sunt desfășurate sub supraveghere.
6. Deconectați întotdeauna mufa de alimentare ținând priza cu mâna după utilizare. NU trageți cablul de alimentare.
  7. Nu scufundați cablul, mufa și întregul dispozitiv în apă sau în orice alt lichid. Nu expuneți dispozitivul la condiții atmosferice (ploaie, soare etc.) și nu folosiți în condiții de umiditate ridicată (băi, case mobile umede).
  8. Verificați periodic starea cablului de alimentare. În cazul în care cablul de alimentare este deteriorat, acesta trebuie înlocuit de un atelier de reparații de specialitate pentru a evita pericolul.
  9. Nu folosiți aparatul cu un cablu de alimentare deteriorat sau dacă a fost aruncat sau deteriorat în alt mod sau dacă nu funcționează corect. Nu reparați singur dispozitivul, deoarece există riscul de electrocutare. Duceți dispozitivul deteriorat la un centru de service adecvat pentru verificare sau reparare. Toate reparațiile pot fi efectuate numai de către punctele de service autorizate. Reparațiile efectuate incorect pot cauza pericol grav pentru utilizator.
  10. Așezați dispozitivul pe o suprafață rece, stabilă, departe de aparatele de bucătărie calde, cum ar fi: aragaz electric, arzător de gaz etc.
  11. Asigurați-vă că nimic nu blochează intrarea și ieșirea aerului dispozitivului
  12. Folosiți dispozitivul numai pe o suprafață plană pentru a preveni scurgerea condensului
  13. Pentru a oferi o protecție suplimentară, este recomandabil să instalați un dispozitiv de curent rezidual (RCD) în circuitul electric cu un curent rezidual nominal care să nu depășească 30mA. Întrebați un electrician pentru asta.
  14. Curățați regulat filtrul de aer. Frecvența curățării depinde de curățenia aerului.
  15. După ce opriți mașina, așteptați cel puțin 5 minute înainte de a o porni din nou.
  16. Nu folosiți dispozitivul în locuri însorite. Când dispozitivul se supraîncălzește, protecția de supraîncălzire va porni dispozitivul.
  17. Pentru a asigura o răcire eficientă, trebuie să existe o distanță de cel puțin 60 cm între pereții laterali ai dispozitivului și peretele sau mobilierul sau perdelele.
  18. Datorită performanței limitate a dispozitivului, dacă diferența dintre temperatura țintă și temperatura ambiantă este prea mare, este posibil ca temperatura țintă să nu fie atinsă.
  19. Pentru a reduce riscul de incendiu, electrocutare sau vătămare la utilizarea aparatului de aer condiționat, respectați următoarele precauții de bază:
    - a) Conectați-vă la o priză împământată cu 3 pini.
    - b) Nu îndepărtați prona de împământare.
    - c) Nu folosiți adaptorul.
    - d) Nu folosiți un prelungitor.

e) Deconectați aparatul de aer condiționat înainte de întreținere.

f) Folosiți două sau mai multe persoane pentru a muta și instala aerul condiționat.

20. Nu folosiți agenți care accelerează procesul de decongelare sau curățare, altele decât cele recomandate de producător.

21. Dispozitivul trebuie depozitat într-o cameră fără surse de aprindere constantă, de exemplu: foc deschis, aparate cu gaz sau încălzitoare electrice.

ÎNAINTE DE PRIMA UTILIZARE - (imaginea E)

Conectați conectorii la conducta de evacuare a aerului după cum urmează:

1. Extindeți conducta de evacuare a aerului (9) scoțând cele două capete ale conductei.
2. Înșurubați conducta de evacuare a aerului (9) în conectorul conductei de evacuare a aerului (10).
3. Conectați conectorul conductei de evacuare a aerului (10) la dispozitiv.

OBSERVAȚII:

1. Păstrați unitatea la cel puțin 1 metru distanță de televizor sau radiouri pentru a evita interferențele electromagnetice.
2. Nu expuneți unitatea sub lumina directă a soarelui pentru a evita estomparea culorii suprafeței.
3. Nu înclinați unitatea mai mult de 35 ° sau cu capul în jos în timpul transportului. Dacă dispozitivul a fost răsturnat în timpul transportului, puneți-l corect și așteptați 2-4 ore înainte de al. porni.
4. Așezați unitatea pe o suprafață plană cu înclinare mai mică de 5 °.
5. Unitatea funcționează mai eficient în anumite locații ale camerei, selectați cea mai bună locație:
  - Lângă o fereastră, o ușă sau o fereastră franceză.
  - Păstrați distanța necesară de la ieșirea aerului de retur până la perete sau alte obstacole de cel puțin 60 cm.
  - Extindeți furtunul de aer pentru a vă asigura că celălalt capăt al furtunului de aer are o distanță între ușa ferestrei sau fereastra franceză sau orificiul de perete.
  - Ieșirea sau admisia aerului nu poate fi blocată de grila de protecție sau de orice obstacol.

Pentru a prelungi durata de viață a unității, scurgeți apa condensată din orificiul de scurgere (8) înainte de a pune unitatea în depozit la sfârșitul sezonului.

DESCRIEREA DISPOZITIVULUI (imaginile A și B)

- |                                     |  |
|-------------------------------------|--|
| 1. Panou de control                 | 2. Ieșire aer rece                             |
| 3. Receptor de semnal               | 4. Telecomandă                                 |
| 5. Mâner de transport               | 6. Conducta de evacuare                        |
| 7. Admisia evaporatorului           | 8. Bușonul de scurgere                         |
| 9. Conducta de evacuare a aerului   | 10. Conectorul conductei de evacuare a aerului |
| 11. Adaptor de evacuare a ferestrei |  |

PANOU DE CONTROL (imaginea C)

- |   |  |
|---|--|
| A. Buton de alimentare                            | B. Buton de viteză ventilator                    |
| C. Buton mod                                      | D. Buton cronometru / temperatură sus            |
| E. Buton cronometru / temperatură în jos          | F. Indicator de viteză redusă al. ventilatorului |
| G. Indicator de viteză mare al. ventilatorului    | K. Indicator de mod rece                         |
| L. Indicator mod dezumidificare                   | M. Indicator mod ventilator                      |
| N. Buton temporizator                             | R. WF - indicator de apă plină                   |
| S. Setați temperatura / afișarea temporizatorului | W. Indicatorul temporizatorului                  |

Telecomandă - imaginea D

Telecomanda transmite semnale către receptorul de semnal (3).

Butonul "A" - aparatul va fi pornit când este alimentat sau va fi oprit când este în funcțiune, dacă apăsați acest buton.

Butonul "C" - apăsați-l pentru a selecta modul de operare: „K”, „L” sau „M”. Indicatorul adecvat va fi aprins.

Butonul „B” - apăsați-l pentru a selecta viteza ventilatorului în ordine. Indicatorul adecvat va fi aprins.

Butonul "D" / "E" - apăsați pentru a seta temperatura dorită în cameră sau temporizator. Afișajul „S” prezintă temperatura dorită, nu temperatura prezentă în cameră.

Butonul „N” - apăsați pentru a seta ora de oprire automată și pornire automată.

FUNCȚIONAREA PANELULUI DE CONTROL

Racire / uscare / ventilator

1. Porniți dispozitivul.

- a) Conectați dispozitivul și apoi dispozitivul emite un sunet.
- b) Apăsăți butonul „A”, apoi dispozitivul se va porni.
- c) Afișajul LED indică temperatura setată.

## 2. Alegeți modul de operare

Apăsăți butonul „C” pentru a selecta modul de funcționare dorit după secvență:  
Mod de răcire "K" -> Mod de uscare "L" -> Modul de ventilator "M."

## 3. Reglați temperatura

Temperatura poate fi setată în intervalul 16 ° -31 ° C. Apăsăți butonul „D” sau „E” pentru a crește sau micșora temperatura cu 1 ° C apăsând o dată. Panoul LED al dispozitivului arată temperatura țintă timp de 5 secunde și apoi afișează temperatura setată, nu temperatura prezentă în cameră.

După setarea temperaturii în modul de răcire „K”, dacă selectați din nou modul de răcire „K” sau modul ventilator „M”, atunci afișajul LED indică temperatura țintă implicită 25 ° C.

## 4. Reglați viteza ventilatorului

Apăsăți butonul „B” pentru a selecta o viteză a ventilatorului dorită afișată în ordine:  
Viteză mică "F" -> Viteză mare G

## 5. Puterea

Când apăsați din nou butonul „A”, dispozitivul va suna „di” și nu va mai funcționa.

## 6. Apăsăți acest buton „N” pentru a seta un cronometru.

Principii de lucru moduri:

Dezumidificați modul „L”:

1. Ventilatorul va funcționa la viteză mică, iar viteza nu poate fi reglată.

Reglarea temperaturii nu este eficientă. Dispozitivul reglează automat temperatura setată la 2 ° C sub temperatura camerei la intrarea în modul de dezumidificare.

2. Când temperatura camerei ≤ 16 °C, nu se poate dezumidifica, ventilatorul va funcționa la viteză mică.

AVERTIZARE:

Când operați dispozitivul în condiții de umiditate variabilă, dopul de scurgere (8) trebuie să fie deschis și să asigure o scurgere constantă a apei. Pentru scurgerea confortabilă a apei, utilizați conducta inclusă în kit.

Mod COOL "K":

1. Când temperatura camerei este mai mare decât temperatura setată pe panoul de control, compresorul începe să funcționeze. Dispozitivul răcește camera.
2. Când temperatura camerei este mai mică decât temperatura setată pe panoul de control, compresorul se oprește și ventilatorul funcționează la viteza setată inițial.

Modul "M" al ventilatorului.

1. Ventilatorul funcționează la viteza setată, iar compresorul nu funcționează.
2. Reglarea temperaturii nu este eficientă.

Funcționarea temporizatorului "N":

1. Apăsăți butonul „N” pentru a seta timpul de oprire automată în timp ce unitatea funcționează.
2. Apăsăți butonul „N” pentru a seta timpul de pornire automată în timp ce unitatea este gata.
3. Timpul poate fi ajustat în intervalul de la 1 oră la 24 de ore prin apăsarea butonului "D" (+) sau "E" (-).

Înștiințare:

Placa principală de control are funcția de memorie, când dispozitivul este gata să funcționeze, dar în stare de oprire, placa principală de control poate memora inițializarea modului de lucru. Când porniți unitatea, aceasta va funcționa la fel ca în ultima perioadă de lucru, nu este nevoie să resetați din nou modul de lucru.

TELECOMANDA

1. Glisați capacul din spate pentru a deschide și scoate filmul izolator de pe baterii.
2. Introduceți bateriile în compartiment cu partea corectă. Polii bateriilor trebuie să se potrivească cu semnele „+” și „-” de pe telecomandă.

3. Pentru o perioadă îndelungată de utilizare, scoateți bateriile.
  4. Pentru a preveni poluarea mediului, scoateți bateriile uzate și aruncați siguranța și în mod corespunzător.
- Pentru a acționa dispozitivul, îndreptați telecomanda (4) către receptorul de semnal (3). Telecomanda (4) va acționa dispozitivul la distanță de 5 metri atunci când este îndreptat către receptorul de semnal (3) al dispozitivului.

## DISPOZITIVE DE PROTECȚIE

Dispozitivul de protecție poate declanșa și opri aparatul în cazurile enumerate mai jos:

1. în modul de răcire: temperatura aerului interior este peste 43 ° C
2. în modul de răcire: temperatura camerei este sub 16 ° C
3. în modul de dezumidificare: temperatura camerei este sub 16 ° C

Dacă dispozitivul funcționează în modul „K” de răcire sau dezumidifică modul „L” cu ușa sau fereastra deschisă mult timp când umiditatea relativă este mai mare de 80%, roua poate picura din priză.

Dispozitivul de protecție va funcționa în următoarele cazuri:

1. Reporniți dispozitivul imediat după oprirea lucrului sau schimbarea modului selectat în timp ce lucrați, trebuie să așteptați 3 minute.
2. Dacă ștecherul a fost scos, după repornire dispozitivul va reveni la modul original, TIMER ON și TIMER OFF - trebuie setat din nou.

**OBSERVAȚIE:** există reciclarea apei condensate ascunse în acest dispozitiv. Apa de condensare este parțial menținută reciclându-se între condensator și încorporată în placa de apă. Când nivelul apei crește la nivelul superior, acesta este ridicat de comutatorul plutitor, apoi (W.F.) indicatorul de nivel al apei complet „R” se aprinde pentru a vă reaminti să scurgeți apa. Vă rugăm să întrerupeți alimentarea cu energie electrică, mutați aparatul într-un loc adecvat, scoateți dopul de scurgere, scurgeți complet apa. După golire, reinstalați dopul de golire (8), altfel aparatul se poate scurge și vă poate uda camera. Dacă nu este drenat la 5 minute după W.F. indicație activată, afișajul va afișa E4.

Dacă aparatul este plasat într-o poziție de admisie a apei de scurgere, puteți conecta și conducta de scurgere la orificiul de scurgere pentru a scurge apa. Țeava de scurgere se adaugă la kit, cu diametrul interior 9mm, diametrul exterior 12mm, material: PVC.

Depanare

1) Probleme: nu funcționează.

Analiză:

- a) poate declanșatorul de protecție sau siguranța sunt arse, vă rugăm să așteptați 3 minute și să începeți din nou, dispozitivul de protecție poate împiedica funcționarea dispozitivului.
- c) poate bateriile din telecomandă sunt epuizate.
- d) poate mufa nu este conectată corect.

2) Problemă: funcționează doar pentru o perioadă scurtă de timp

Analiză:

- a) dacă temperatura setată este aproape de temperatura camerei, puteți reduce temperatura setată.
  - b) poate ieșirea de aer este blocată de obstacol. Scoate obstacolul.
- 3) Probleme: funcționează, dar nu se răcește

Analiză:

- a) poate ușa sau fereastra sunt deschise.
  - b) poate în apropiere există un alt aparat care funcționează la căldură, cum ar fi încălzitorul sau lampa etc.
  - c) filtrul de aer este murdar, vă rugăm să îl curățați.
  - d) ieșirea sau admisia aerului este blocată.
  - f) temperatura setată este prea mare.
- 4) Probleme: scurgeri de apă în timpul deplasării.

Analiză:

- a) scurgeți condensul înainte de a vă deplasa.
  - b) pentru a evita scurgerile de apă, vă rugăm să localizați dispozitivul pe un teren plat.
- 5) Probleme: nu funcționați și udați indicatorul luminos „W.F” plin

Analiză:

- a) scoateți dopul de cauciuc pentru a scurge apa.
- b) dacă se află adesea în această stare, vă rugăm să contactați serviciul tehnic calificat.

Depanare

6) Eroare: Dispozitivul nu pornește.

Analiză:

- a) poate nu este conectat. Deci, conectați-l.
- b) poate daune la priză sau la priză. Înlocuiți cu furnizorul de servicii.
- c) poate siguranța ruptă. Înlocuiți siguranța cu furnizorul de servicii (specificație: 3,15A / 250VAC).



7) Eroare: Dispozitivul se oprește automat.

Analiză:

a) oprirea temporizării sau atingerea temperaturii setate. Reporniți-l sau așteptați comutarea automată.

8) Probleme: nu există aer rece în modul COOL "K".

Analiză:

a) temperatura camerei este mai mică decât temperatura setată. Este un fenomen normal, mașina se va comuta automat în timp ce temperatura camerei este mai mare decât temperatura setată.

b) Dispozitivul intră în protecție antigel. Dispozitivul se va comuta automat după terminarea protecției antigel.

9) Eroare: afișajul LED indică codul de eroare „E0”

Analiză:

a) senzorul de temperatura camerei se defectează sau se deteriorează. Înlocuiți senzorul de temperatură a camerei de către furnizorul de servicii.

10) Eroare: afișajul LED indică codul de eroare „E4”

Analiză:

a) avertisment plin de apă. Scurgeți apa.

## CURATENIE SI MENTENANTA

Întreținerea dispozitivului

1. Opriti mai întâi dispozitivul înainte de a vă deconecta de la sursa de alimentare.

2. Ștergeți cu o cârpă moale și uscată. Folosiți apă caldă sub 40 ° C pentru a curăța dacă aparatul este foarte murdar.

3. Nu folosiți niciodată substanțe volatile, cum ar fi benzină sau pulbere de lustruit, pentru a curăța dispozitivul.

Întreținerea filtrului de aer

Este necesar să curățați filtrul de aer la fiecare 2 săptămâni dacă dispozitivul funcționează într-un mediu extrem de prăfuit. Curățați după cum urmează:

1. Opriti dispozitivul mai întâi, împingeți în sus filtrul de aer (imaginea F).

2. Curățați și reinstalați filtrul de aer.

3. Dacă murdăria este vizibilă, spălați-o cu o soluție de detergent în apă caldă. După curățare, uscați-l într-un loc umbrat și răcoros, apoi reinstalați-l.

Întreținere după utilizare sezonieră

1. Dacă dispozitivul nu se va folosi mai mult timp, asigurați-vă că scoateți dopul de cauciuc al orificiului de scurgere (8) pentru a scurge apa.

2. Mențineți aparatul în funcțiune cu modul ventilator doar o jumătate de zi în timpul unei zile însorite, pentru a usca aparatul în interior și pentru a preveni formarea mușgaiului.

3. Opriti dispozitivul și scoateți ștecherul cablului de alimentare, apoi scoateți bateriile telecomenzii și păstrați dispozitivul corect.

4. Curățați filtrul de aer și reinstalați-l.

5. Scoateți furtunurile de aer și depozitați-le corespunzător și acoperiți bine gaura.

## DATE TEHNICE:

Capacitate de răcire la BTU: 9000 BTU / oră

Capacitate de răcire în wați: 2600 W

Consum de energie (răcire) W: 950 W

Volum: <= 64 dB

Debit de aer: 270 m<sup>3</sup> / h

Clasa energetică: A

Temporizator: 24 de ore

Greutatea lichidului de răcire R290: max. 160 grame

Tensiune 220-240V ~ 50Hz



Atenție, risc de incendiu.

NU străpungeți și nu ardeți.

Rețineți că agentul frigorific nu poate conține miros.

Cantitatea maximă de încărcare a agentului frigorific: 160g.



Din grija pentru mediul înconjurător. Ambalajele din carton vă rugăm să le transmiteți șa centrele de maculatură. Sacii din polietilenă (PE) trebuie aruncate în recipientele pentru materialele plastice. Dispozitivul uzat trebuie transmis la punctul corespunzător de depozitare, deoarece componentele periculoase care se găsesc în dispozitiv pot fi foarte periculoase pentru mediul înconjurător. Dispozitivul electric trebuie transmis în așa fel încât să se limiteze utilizarea lui repetată. Dacă în dispozitiv se găsesc baterii acestea trebuie scoase și transmise către punctul de depozitare a acestora, separat.

OPĆI UVJETI SIGURNOSTI  
VAŽNE SIGURNOSNE UPUTE PROČITAJTE UPOZORENJE I UŠTEDITE  
BUDUĆNOST

1. Prije upotrebe uređaja, pročitajte korisnički priručnik i slijedite upute sadržane u njemu. Proizvođač ne odgovara za štetu nastalu upotrebom uređaja suprotno njegovoj predviđenoj namjeni ili nepravilnom radu.
2. Uređaj je namenjen samo za kućnu upotrebu. Ne koristite za druge svrhe koje nisu prema njegovoj predviđenoj namjeni.
3. Uređaj treba priključiti na izmjeničnu utičnicu samo uzemljenim 220 240V ~ 50Hz. Da bi se povećala operativna sigurnost, više električnih uređaja ne smije istovremeno biti povezano na jedan strujni krug.
4. Budite izuzetno oprezni kada koristite uređaj kada su djeca u blizini. Ne dozvolite djeci da se igraju s uređajem, ne dozvolite djeci ili osobama koje nisu upoznate s uređajem da ga koriste.
5. UPOZORENJE: Ovu opremu mogu koristiti djeca starija od 8 godina i osobe ograničene fizičke, senzorne ili mentalne sposobnosti, ili ljudi koji nemaju iskustva ili znanje o opremi, ako se to radi pod nadzorom odgovorne osobe radi njihove sigurnosti ili su im odobreni podaci o sigurnoj upotrebi uređaja i svjesni su opasnosti korištenja. Deca se ne smeju igrati sa opremom. Čišćenje i održavanje uređaja ne smiju obavljati djeca, osim ako su starija od 8 godina i ove aktivnosti se izvode pod nadzorom.
6. Uvek isključite utikač držeći utičnicu rukom nakon upotrebe. NE povlačite kabl za napajanje.
7. Nemojte uranjati kabl, utikač i cijeli uređaj u vodu ili bilo koju drugu tečnost. Ne izlažite uređaj atmosferskim uvjetima (kiša, sunce itd...) I ne koristite u uvjetima visoke vlažnosti (kupaonice, vlažne mobilne kućice).
8. Povremeno provjeravajte stanje kabela za napajanje. Ako je kabl za napajanje oštećen, zamijenite ga specijalnom servisnom radionicom kako biste izbjegli opasnost.
9. Ne koristite uređaj s oštećenim kablom za napajanje ili ako je ispao ili oštećen na bilo koji drugi način ili ako ne radi ispravno. Ne popravljajte uređaj sami jer postoji opasnost od električnog udara. Oštećeni uređaj odnesite u odgovarajući servisni centar radi provjere ili popravljanja. Sve popravke smiju obavljati samo ovlašteni servisi. Nepravilno izvedeni popravci mogu predstavljati ozbiljnu opasnost za korisnika.
10. Uređaj postavite na hladnu i stabilnu površinu, dalje od vrućih kuhinjskih uređaja kao što su: električni štednjak, plinski plamenik itd...
11. Pazite da ništa ne blokira dovod i izlaz zraka na uređaju
12. Koristite uređaj samo na ravnoj površini kako biste spriječili da se kondenzacija prolije
13. Da biste osigurali dodatnu zaštitu, preporučljivo je u električni krug instalirati zaostalu struju (RCD), nazivna zaostala struja koja ne prelazi 30mA. Pitajte za to električara.

14. Redovno čistite filter za vazduh. Učestalost čišćenja ovisi o čistoći zraka.
15. Nakon isključenja uređaja pričekajte najmanje 5 minuta prije nego što ga ponovo uključite.
16. Ne koristite uređaj na sunčanim mjestima. Kad se uređaj pregrijava, na njemu će se uključiti zaštita od pregrijavanja.
17. Da bi se osiguralo efikasno hlađenje, treba ostati razmak od najmanje 60 cm između bočnih zidova uređaja i zida, namještaja ili zavjesa.
18. Zbog ograničenih performansi uređaja, ako je razlika između ciljne temperature i temperature okoline prevelika, ciljna temperatura možda neće biti dosegnuta.
19. Da biste smanjili rizik od požara, strujnog udara ili povreda prilikom upotrebe klima uređaja, pridržavajte se sledećih osnovnih mera predostrožnosti:
  - a) Spojite na uzemljenu utičnicu s 3 pina.
  - b) Ne uklanjajte uzemljenje.
  - c) Nemojte koristiti adapter.
  - d) Ne koristite produžni kabel.
  - e) Isključite klima uređaj prije servisiranja.
  - f) Koristite dvije ili više osoba za pomicanje i instaliranje klima uređaja.
20. Ne koristite sredstva koja ubrzavaju proces odmrzavanja ili čišćenja drugačija od onih koje je preporučio proizvođač.
21. Uređaj treba skladištiti u prostoriji bez stalno aktivnih izvora paljenja, na primjer: otvorene vatre, plinskih uređaja ili električnih grijača.

#### PRE PRVE UPOTREBE - (slika E)

Spojite konektore na odvod zraka na sljedeći način:

1. Produžite odvodni kanal (9) izvlačenjem dva kraja kanala.
2. Uvrnite odvodni kanal (9) u konektor odvodnog kanala (10).
3. Priključite konektor odvodnog kanala (10) na uređaj.

#### NAPOMENE:

1. Držite uređaj najmanje 1 metar udaljen od televizora ili radija kako biste izbjegli elektromagnetske smetnje.
2. Ne izlažite jedinicu direktnom sunčevom svjetlu kako biste izbjegli blijedeće boje površine.
3. Nemojte naginjati jedinicu za više od 35 ° ili naopako tokom transporta. Ako se uređaj prevrnuo tokom transporta, pravilno ga odložite i sačekajte 2-4 sata pre nego što ga pokrenete.
4. Postavite uređaj na ravnu površinu sa nagibom manjim od 5 °.
5. Jedinica radi učinkovitije na određenim lokacijama prostorija, odaberite najbolju lokaciju:
  - Pored prozora, vrata ili francuskog prozora.
  - Držite potrebnu udaljenost od izlaza povratnog zraka do zida ili drugih prepreka najmanje 60 cm.
  - Produžite crevo za vazduh kako biste osigurali da drugi kraj creva za vazduh ima zazor između prozorskih vrata, francuskog prozora ili rupe na zidu.
  - Izlaz ili ulaz zraka ne mogu biti blokirani zaštitnom rešetkom ili bilo kojom preprekom.

Kako biste produžili vijek trajanja jedinice, ispusite kondenziranu vodu iz odvodnog otvora (8) prije nego što uređaj odložite u skladište na kraju sezone.

#### OPIS UREĐAJA (slike A i B)

- |                              |                              |
|------------------------------|------------------------------|
| 1. Upravljačka ploča         | 2. Izlaz hladnog vazduha     |
| 3. Prijemnik signala         | 4. Daljinski upravljač       |
| 5. Transportna ručka         | 6. Izdovni kanal             |
| 7. Ulaz isparivača           | 8. Čep za ispuštanje         |
| 9. Odvodni kanal             | 10. Konektor odvodnog kanala |
| 11. Adapter za ispuh prozora |                              |

## UPRAVLJAČKA PLOČA (slika C)

- A. Dugme za uključivanje
- C. Tipka načina rada
- E. Tajmer / tipka za smanjenje temperature
- G. Indikator velike brzine ventilatora
- L. Indikator režima odvlaživanja
- N. Tajmer tipka
- S. Postavljena temperatura / Prikaz mjerača vremena
- B. Dugme za brzinu ventilatora
- D. Dugme za mjerač vremena / povećanje temperature
- F. Indikator niske brzine ventilatora
- K. Indikator načina rada hlađenja
- M. Indikator načina rada ventilatora
- R. WF - indikator pune vode
- W. Indikator mjerača vremena

## DALJINSKI UPRAVLJAČ - slika D

Daljinski upravljač prenosi signale prijemu signala (3).

Dugme "A" - uređaj će se pokrenuti kada je pod naponom ili će se zaustaviti dok radi, ako pritisnete ovo dugme.

Dugme "C" - pritisnite ga za izbor režima rada: "K", "L" ili "M". Odgovarajući indikator će zasvijetliti.

Dugme "B" - pritisnite ga za odabir brzine ventilatora u nizu. Odgovarajući indikator će zasvijetliti.

Dugme "D" / "E" - pritisnite da postavite željenu temperaturu u prostoriji ili tajmer. Zaslona „S“ prikazuje željenu temperaturu, a ne trenutnu temperaturu u prostoriji.

Tipka "N" - pritisnite za postavljanje vremena automatskog isključivanja i automatskog uključivanja.

## RAD UPRAVLJAČKE PLOČE

### HLADNO / SUŠNO / VENTILATOR

1. Uključite uređaj.

a) Priključite uređaj, a zatim će se uređaj oglasiti jednom.

b) Pritisnite dugme "A", a zatim će se uređaj uključiti.

c) LED displej prikazuje podešenu temperaturu.

2. Odaberite način rada

Pritisnite dugme "C" da biste odabrali željeni način rada prema redoslijedu:

Način hlađenja "K" -> Način sušenja "L" -> Način rada ventilatora "M."

3. Podesite temperaturu

Temperatura se može podesiti u rasponu od 16 ° -31 ° C. Pritisnite dugme "D" ili "E" za povećanje ili smanjenje temperature za 1 ° C jednim pritiskom. LED ploča uređaja prikazuje ciljnu temperaturu 5 sekundi, a zatim prikazuje zadanu temperaturu, a ne trenutnu u prostoriji.

Nakon podešavanja temperature u režimu hlađenja „K“, ako ponovo odaberete način hlađenja „K“ ili način rada ventilatora „M“, LED displej prikazuje zadanu zadanu temperaturu 25 ° C.

4. Podesite brzinu ventilatora

Pritisnite dugme "B" za odabir željene brzine ventilatora prikazane po redoslijedu:

Mala brzina "F" -> Velika brzina G

5. Snaga

Kada ponovo pritisnete tipku "A", uređaj će se oglasiti "di" i prestati raditi.

6. Pritisnite ovo dugme "N" za postavljanje mjerača vremena.

Načini rada principa:

Način odvlaživanja "L":

1. Ventilator će raditi pri malim brzinama, a brzina se ne može podesiti.

Podešavanje temperature nije efikasno. Uređaj automatski podešava zadanu temperaturu na 2 ° C ispod sobne temperature pri ulasku u način odvlaživanja.

2. Kada se sobna temperatura  $\leq 16$  ° C ne može odvlažiti, ventilator će raditi pri malim brzinama.

UPOZORENJE:

Prilikom rada uređaja u uvjetima različite vlažnosti, odvodni čep (8) bi trebao biti stalno otvoren i osigurati stalan odvod vode. Za ugodno ispuštanje vode upotrijebite cijev koja se nalazi u kompletu.

HLADNI "K" način rada:

1. Kad je sobna temperatura viša od zadane temperature na upravljačkoj ploči, kompresor počinje raditi. Uređaj hladi prostoriju.

2. Kada je sobna temperatura niža od zadane temperature na upravljačkoj ploči, kompresor se zaustavlja i ventilator radi na izvorno podešenoj brzini.

Način rada ventilatora "M".

1. Ventilator radi na zadanoj brzini, a kompresor ne radi.
2. Podešavanje temperature nije efikasno.

Tajmer rad "N":

1. Pritisnite dugme "N" za podešavanje vremena automatskog isključivanja dok uređaj radi.
2. Pritisnite dugme "N" za podešavanje automatskog uključivanja dok je uređaj spreman.
3. Vrijeme se može podesiti u rasponu od 1 sata do 24 sata pritiskom na tipku "D" (+) ili "E" (-).

Biljeska:

Glavna upravljačka ploča ima memorijsku funkciju, kada je uređaj spreman za rad, ali u statusu zaustavljanja, glavna upravljačka ploča može zapamtiti inicijalizaciju radnog načina rada. Kada uključite jedinicu, ona će funkcionirati kao isti način rada kao i prošli put, nema potrebe za ponovnim postavljanjem načina rada.

#### DALJINSKI UPRAVLJAC

1. Gurnite stražnji poklopac da biste ga otvorili i skinite izolacijski film s baterija.
  2. Umetnite baterije u odjeljak s ispravnom stranom. Polovi baterija moraju odgovarati znakovima "+" i "-" na daljinskom upravljaču.
  3. Izvadite baterije dugo vremena bez upotrebe.
  4. Kako biste spriječili zagađenje okoliša, izvadite iskorištene baterije i odložite ih na odgovarajući način.
- Za upravljanje uređajem, usmjerite daljinski upravljač (4) prema prijemniku signala (3). Daljinski upravljač (4) će upravljati uređajem na udaljenosti od 5 metara kada je usmjeren prema prijemniku signala (3) uređaja.

#### ZAŠTITNI UREĐAJI

Zaštitni uređaj se može spotaknuti i zaustaviti uređaj u dolje navedenim slučajevima:

1. u režimu hlađenja: temperatura vazduha u zatvorenom prostoru je iznad 43 ° C
2. u režimu hlađenja: sobna temperatura je ispod 16 ° C
3. u režimu odvlaživanja: sobna temperatura je ispod 16 ° C

Ako uređaj radi u režimu hlađenja „K“ ili odvlaživanju „L“ sa otvorenim vratima ili prozorom duže vreme kada je relativna vlažnost vazduha iznad 80%, rosa može da kaplje iz izlaza.

Zaštitni uređaj će raditi u sljedećim slučajevima:

1. Ponovno pokretanje uređaja odmah nakon prestanka rada ili promjene odabranog načina rada tokom rada, morate pričekati 3 minute.
2. Ako je utikač uklonjen, nakon ponovnog pokretanja uređaj će se vratiti u izvorni način rada, TIMER ON i TIMER OFF - moraju se ponovo postaviti.

**NAPOMENA:** u uređaju je skriveno recikliranje kondenzovane vode. Kondenzirana voda se djelomično reciklira između kondenzatora i ugrađene ploče za vodu. Kada se nivo vode podigne na gornji nivo, podiže se prekidačem na plovak, a zatim (W.F.) svijetli indikator pune razine vode "R" kako bi vas podsjetio da ispuštite vodu. Prekinite napajanje strujom, premjestite uređaj na odgovarajuće mjesto, izvadite čep za ispuštanje, potpuno ispraznite vodu. Nakon ispuštanja, ponovo umetnite ispusni čep (8) ili će uređaj možda iscuriti i učiniti vašu sobu mokrom. Ako se ne isprazni 5 minuta nakon W.F. indikacija uključena, na zaslonu će se prikazati E4.

Ako je aparat postavljen u položaj za ispuštanje odvodne vode, također možete spojiti odvodnu cijev na odvodni otvor za ispuštanje vode. U komplet se dodaje odvodna cijev, unutrašnjeg promjera 9 mm, vanjskog promjera 12 mm, materijal: PVC.

Rješavanje problema

1) Problem: Ne radi.

Analiza:

- a) možda je zaštitni pokvar ili osigurač pregoreo, pričekajte 3 minute i počnite ponovo, zaštitni uređaj možda sprječava rad uređaja.
- c) možda su se baterije u daljinskom upravljaču ispraznile.
- d) možda utikač nije pravilno priključen.

2) Problem: radi samo kratko vrijeme

Analiza:

- a) ako je podešena temperatura blizu sobne temperature, možete je smanjiti.
- b) možda je prepreka blokirala izlaz zraka. Uklonite prepreku.

3) Problem: Radi, ali ne hladi

Analiza:

- a) možda su vrata ili prozor otvoreni.
  - b) možda u blizini postoji neki drugi uređaj koji radi na toplini, poput grijača ili lampe, itd.
  - c) filter za vazduh je prljav, očistite ga.
  - d) izlaz ili ulaz zraka je blokiran.
  - f) podešena temperatura je previsoka.
- 4) Problem: Curenje vode tokom kretanja.

Analiza:

- a) ispuštite kondenzat prije pomicanja.
  - b) kako biste izbjegli curenje vode, postavite uređaj na ravno tlo.
- 5) Problem: Ne radite i svijetli indikator napunjenosti vodom „W.F“

Analiza:

- a) izvucite gumeni čep za ispuštanje vode.
- b) ako je često u ovom stanju, obratite se kvalifikovanoj tehničkoj službi.

Rješavanje problema

- 6) Problem: Uređaj se ne pokreće.

Analiza:

- a) možda nije priključen. Dakle, uključite ga.
- b) možda oštećenja utikača ili utičnice. Zamijenite kod davatelja usluga.
- c) možda je osigurač pokvaren. Zamijenite osigurač od davatelja usluga (specifikacija: 3,15A/250VAC).

- 7) Problem: Uređaj se automatski zaustavlja.

Analiza:

- a) vrijeme isključivanja ili postignuta zadana temperatura. Ponovo ga pokrenite ili pričekajte automatsko prebacivanje.
- 8) Problem: nema hladnog zraka u načinu rada COOL "K".

Analiza:

- a) sobna temperatura je niža od zadane temperature. To je normalna pojava, mašina će se automatski prebaciti dok je sobna temperatura viša od zadane temperature.
- b) Uređaj ulazi u zaštitu od smrzavanja. Uređaj će se automatski prebaciti nakon završetka zaštite od smrzavanja.
- 9) Problem: LED displej prikazuje kôd greške „E0“

Analiza:

- a) senzor sobne temperature otkáže ili se ošteti. Davatelj usluga zamijenio je osjetnik sobne temperature.

- 10) Problem: LED displej prikazuje kôd greške "E4"

Analiza:

- a) upozorenje o punoj vodi. Ispustite vodu.

## ČIŠĆENJE I ODRŽAVANJE

Održavanje uređaja

1. Prije isključivanja napajanja isključite uređaj.
2. Obrisite mekom i suvom krpom. Koristite mlaku vodu ispod 40 ° C za čišćenje ako je uređaj jako prljav.
3. Za čišćenje uređaja nikada nemojte koristiti hlapljive tvari, poput benzina ili praška za poliranje.

Održavanje vazdušnog filtera

Filter za vazduh je potrebno čistiti svake 2 nedelje ako uređaj radi u izuzetno prašnjavom okruženju. Očistite na sledeći način:

1. Prvo zaustavite uređaj, gurnite vazdušni filter prema gore (slika F).
2. Očistite i vratite filter za vazduh.
3. Ako je prljavština upadljiva, operite je otopinom deterdženta u mlakoj vodi. Nakon čišćenja osušite ga na zasjenjenom i hladnom mjestu, a zatim ga ponovo instalirajte.

Održavanje nakon sezonske upotrebe

1. Ako uređaj nećete koristiti dulje vrijeme, svakako izvucite gumeni čep odvodne rupe (8) kako biste ispuštali vodu.
2. Uređaj neka radi sa ventilatorom samo pola dana tokom sunčanog dana kako biste osušili aparat iznutra i spriječili stvaranje plijesni.
3. Zaustavite uređaj i izvucite utikač kabela za napajanje, a zatim izvadite baterije daljinskog upravljača i pravilno spremite uređaj.
4. Očistite vazdušni filter i vratite ga na mesto.
5. Uklonite crijeva za zrak i pravilno ih spremite te dobro zatvorite rupu.

TEHNIČKI PODACI:

Kapacitet hlađenja na BTU: 9000 BTU / sat

Kapacitet hlađenja u vatima: 2600 W

Potrošnja energije (hlađenje) W: 950 W

Jačina zvuka: <= 64 dB

Protok zraka: 270 m<sup>3</sup> / h

Energetska klasa: A





Brinuci za okoliš. Molimo Vas da kartonska pakovanja odnesete u otpuk otpadnog papira. Polietilenske džakove (PE) bacajte u kontejner za plastiku. Iskorišćen uređaj treba odneti na odgovarajuću deponiju, jer opasni sastojci koji se u njemu nalaze, mogu biti opasni za okoliš. Električni uređaj treba odneti na način, koji ograničava njegovu ponovnu upotrebu i korištenje. Ako se u uređaju nalaze baterije, treba ih izvaditi i odvojeno predati na deponiju. Uređaj se ne smije bacati u kontejner za komunalni otpad!!

## MAGYAR

### ÁLTALÁNOS BIZTONSÁGI FELTÉTELEK FONTOS BIZTONSÁGI UTASÍTÁSOK FIGYELMESEN OLVASSA EL ÉS TÖRVÉNYE JÖVŐBEN

1. A készülék használata előtt olvassa el a használati útmutatót, és kövesse az abban található utasításokat. A gyártó nem felel a kárért, amelyet az eszköz rendeltetésszerű használatának vagy nem megfelelő működésének okozott.
2. A készülék csak otthoni használatra készült. Ne használja más célra, amely nem a rendeltetésszerű.
3. A készüléket csak földelt 220 240 V ~ 50 Hz feszültségű hálózati aljzathoz szabad csatlakoztatni. Az üzembiztonság növelése érdekében több elektromos készüléket nem szabad egyszerre csatlakoztatni egy áramkörhöz.
4. Nagyon óvatosan járjon el az eszköz használatakor, ha a közelben vannak gyermekek. Ne engedje, hogy gyermekek játszanak az eszközzel, ne engedjék, hogy gyermekek vagy a készüléket ismeretlen emberek használják.
5. FIGYELMEZTETÉS: Ezt a készüléket 8 évesnél idősebb gyermekek és korlátozott fizikai, érzékszervi vagy mentális képességekkel rendelkező személyek, vagy azok a személyek használhatják, akiknek nincs tapasztalata vagy ismerete a berendezésről, ha ezt egy felelős személy felügyelete alatt végzik. biztonságuk érdekében, vagy információkat kaptak nekik az eszköz biztonságos használatáról, és tisztában vannak annak használatának veszélyeivel. A gyermekek nem játszhatnak a felszereléssel. Az eszköz tisztítását és karbantartását csak gyermekek végezhetik, kivéve ha 8 évesnél idősebbek, és ezeket a tevékenységeket felügyelet mellett végzik el.
6. Használat után mindig húzza ki a hálózati csatlakozót az aljzat kezével. NE húzza be a tápkábelt.
7. Ne merítse a kábelt, a dugót és az egész készüléket vízbe vagy más folyadékba. Ne tegye ki a készüléket légköri körülményeknek (eső, nap, stb.), illetve ne használja magas páratartalom esetén (fürdőszoba, nedves mobilházak).
8. Rendszeresen ellenőrizze a tápkábel állapotát. Ha a tápkábel sérült, akkor a veszély elkerülése érdekében szakszervizben kell cserélni.
9. Ne használja a készüléket sérült tápkábellel, ha leesett vagy egyéb módon megsérült, vagy nem működik megfelelően. Ne javítsa saját kezűleg a készüléket, mert fennáll az áramütés veszélye. Vigye a sérült készüléket megfelelő szervizközpontba ellenőrzés vagy javítás céljából. Minden javítást csak hivatalos szerviz végezhet. A helytelenül elvégzett javítások súlyos veszélyt jelenthetnek a felhasználó számára.

10. Helyezze a készüléket hűvös, stabil felületre, távol a forró konyhai készülékektől, például: elektromos tűzhely, gázegő stb.
11. Ellenőrizze, hogy semmi nem akadályozza-e a készülék levegő be- és kimenetet
12. A készüléket csak sík felületen használja, hogy megakadályozza a kondenzvíz kiömlését
13. A kiegészítő védelem érdekében tanácsos az áramkörbe beépíteni olyan maradékáram-eszközt (RCD), amelynek névleges maradékáram nem haladja meg a 30 mA-t. Kérdezzen egy villanyszerelőtől.
14. Rendszeresen tisztítsa meg a légszűrőt. A tisztítás gyakorisága a levegő tisztaságától függ.
15. A gép kikapcsolása után várjon legalább 5 percet, mielőtt újra bekapcsolja.
16. Ne használja a készüléket napos helyeken. Amikor a készülék túlmeleged, a túlmelegedés elleni védelem bekapcsol.
17. A hatékony hűtés érdekében legalább 60 cm távolságot kell tartani a készülék oldalfalai és a fal, a bútor vagy a függöny között.
18. Az eszköz korlátozott teljesítménye miatt, ha a célhőmérséklet és a környezeti hőmérséklet közötti különbség túl nagy, előfordulhat, hogy a célhőmérsékletet nem éri el.
19. A légkondicionáló használatakor a tűz, áramütés vagy sérülés kockázatának csökkentése érdekében tartsa be a következő alapvető óvintézkedéseket:
  - a) Csatlakoztasson egy földelt aljzathoz 3 érintkezővel.
  - b) Ne vegye le a földelő karot.
  - c) Ne használja az adaptert.
  - d) Ne használjon hosszabbítót.
  - e) Szervizelés előtt húzza ki a légkondicionálót.
  - f) Használjon két vagy több embert a légkondicionáló mozgatásához és felszereléséhez.
20. A leolvasztás vagy tisztítás felgyorsítását célzó szereket csak a gyártó által ajánlott módon használjon.
21. Az eszközt olyan helyiségben kell tárolni, ahol nem működnek állandóan működő gyújtóforrások, például: nyílt tűz, gázkészülékek vagy elektromos fűtőberendezések.

#### ELSŐ HASZNÁLAT ELŐTT - (E kép)

Csatlakoztassa a csatlakozókat a légkivezető csőhöz az alábbiak szerint:

1. Húzza ki a légkivezető csatornát (9) a csatorna két végének kihúzásával.
2. Csavarja be a légkivezető csatornát (9) a légkivezető csatorna (10) csatlakozójába.
3. Csatlakoztassa a légkivezető csatorna (10) csatlakozóját a készülékhez.

#### MEGJEGYZÉSEK:

1. Az elektromágneses interferencia elkerülése érdekében tartsa a készüléket legalább 1 méterre a TV -től vagy rádiótól.
2. Ne tegye ki a készüléket közvetlen napsugárzásnak, hogy elkerülje a felület színének elhalványulását.
3. Szállítás közben ne döntse meg az egységet 35 ° -nál nagyobb mértékben vagy fejjel lefelé. Ha a készüléket megfordították szállítás közben, tegye le megfelelően, és várjon 2-4 órát, mielőtt elindítja.
4. Helyezze a készüléket sík felületre, 5 ° -nál kisebb dőléssel.
5. A készülék hatékonyabban működik bizonyos helyiségekben, válassza ki a legjobb helyet:
  - Ablak, ajtó vagy franciaablak mellett.
  - Tartsa a szükséges távolságot a visszatérő levegő kimenetétől a falig vagy más akadályokig legalább 60 cm -re.



- Húzza ki a légtömlőt annak biztosítása érdekében, hogy a levegőtömlő másik végén legyen szabad hely az ablak ajtaja, vagy a franciaablak, vagy a falluk között.

- A levegő kiömlőnyílását vagy beszívását nem akadályozhatja védőrács vagy bármilyen akadály.

Az egység élettartamának meghosszabbítása érdekében a szezon végén a tárolóba helyezés előtt ürítse ki a kondenzvizet a leeresztőnyílásból (8).

#### A KÉSZÜLÉK LEÍRÁSA (A és B kép)

- |                            |  |
|----------------------------|--|
| 1. Vezérlőpult             | 2. Hideg levegő kimenet                  |
| 3. Jelfogó                 | 4. Távirányító                           |
| 5. Szállítási fogantyú     | 6. Kipufogócsatorna                      |
| 7. Párologtató bemenet     | 8. Leeresztő dugó                        |
| 9. Levegő elszívó csatorna | 10. Levegő elszívó csatorna csatlakozója |
| 11. Ablak kipufogó adapter |  |

#### VEZÉRLŐPANEL (C kép)

- |   |                                       |
|---|---------------------------------------|
| A. Bekapcsoló gomb                                | B. Ventilátor sebesség gomb           |
| C. Üzem mód gomb                                  | D. Időzítő / Hőmérséklet -növelő gomb |
| E. Időzítő / Hőmérséklet lenyomó gomb             | F. Ventilátor alacsony sebesség jelző |
| G. Ventilátor nagy sebességű kijelző              | K. Hűvös üzemmód jelző                |
| L. Párátlanítási üzemmód jelző                    | M. Ventilátor üzemmód kijelző         |
| N. Időzítő gomb                                   | R. WF - teljes víz jelző              |
| S. Állítsa be a hőmérsékletet / Időzítő kijelzése | W. Időzítő kijelző                    |

#### TÁVIRÁNYÍTÓ - D kép

A távirányító jeleket továbbítja a jelvevőre (3).

"A" gomb - a készülék akkor indul el, amikor feszültség alatt van, vagy leáll, amikor üzemel, ha megnyomja ezt a gombot.

"C" gomb - nyomja meg, hogy kiválassza az üzemmódot: "K", "L" vagy "M". A megfelelő jelzőfény kigyullad.

"B" gomb - nyomja meg a ventilátor sebességének kiválasztásához. A megfelelő jelzőfény kigyullad.

"D" / "E" gomb - nyomja meg a kívánt hőmérséklet beállításához a helyiségben vagy az időzítőben. Az „S” kijelző a kívánt hőmérsékletet mutatja, nem a helyiség hőmérsékletét.

"N" gomb - nyomja meg az automatikus kikapcsolás és az automatikus bekapcsolás idejének beállításához.

#### A VEZÉRLŐPANEL MŰKÖDÉSE HŰTÉS / SZÁRAZ / VENTILÁTOR

1. Kapcsolja be a készüléket.

a) Csatlakoztassa a készüléket, majd a készülék egyszer sipol.

b) Nyomja meg az "A" gombot, ekkor a készülék bekapcsol.

c) A LED kijelző a beállított hőmérsékletet jelzi.

2. Válassza ki az üzemmódot

Nyomja meg a "C" gombot a kívánt üzemmód kiválasztásához sorrendben:

Hűtési mód "K" -> "L" szárítási mód -> "M" ventilátor üzemmód

3. Állítsa be a hőmérsékletet

A hőmérséklet 16-31 ° C között állítható be. Nyomja meg a „D” vagy „E” gombot a hőmérséklet 1 ° C -kal történő növeléséhez vagy csökkentéséhez az egyszerű megnyomással. A készülék LED -panelje 5 másodpercig mutatja a célhőmérsékletet, majd megjeleníti a beállított hőmérsékletet, nem a szoba hőmérsékletét.

A „K” hűtési üzemmódban a hőmérséklet beállítása után, ha ismét a „K” vagy a „M” ventilátor üzemmódot választja, a LED kijelző az alapértelmezett 25 ° C hőmérsékletet jelzi.

4. Állítsa be a ventilátor sebességét

Nyomja meg a "B" gombot a kívánt ventilátor sebesség kijelzéséhez sorrendben:

Kis sebesség "F" -> Nagy sebesség G

5. Teljesítmény

Ha ismét megnyomja az "A" gombot, a készülék "di" hangjelzést ad és leáll.

6. Nyomja meg ezt az "N" gombot időzítő beállításához.

A módok működési elvei:

Párátlanítás "L" mód:

1. A ventilátor alacsony fordulatszámon működik, és a fordulatszám nem állítható.

A hőmérséklet beállítása nem hatékony. A készülék automatikusan beállítja a beállított hőmérsékletet 2 ° C -kal a szobahőmérséklet alá, amikor a párátlanítási módba lép.

2. Ha a szobahőmérséklet  $\leq 16$  °C, nem szárítható, a ventilátor alacsony sebességgel működik.

FIGYELEM:

Ha a készüléket változó páratartalmú körülmények között üzemelteti, a leeresztő csavarnak (8) folyamatosan nyitva kell lennie, és biztosítania kell a víz állandó elvezetését. A kényelmes vízleeresztéshez használja a készletben található csövet.

HŰTÉS "K" mód:

1. Ha a helyiség hőmérséklete magasabb, mint a vezérlőpulton beállított hőmérséklet, a kompresszor elkezd működni. A készülék lehűti a helyiséget.

2. Ha a helyiség hőmérséklete alacsonyabb, mint a vezérlőpulton beállított hőmérséklet, a kompresszor leáll, és a ventilátor az eredeti beállított sebességgel működik.

Ventilátor "M." mód.

1. A ventilátor a beállított fordulatszámon működik, a kompresszor pedig nem.

2. A hőmérséklet beállítása nem hatékony.

ELSŐ HASZNÁLAT ELŐTT - (E kép)

Csatlakoztassa a csatlakozókat a légkivezető csőhöz az alábbiak szerint:

1. Húzza ki a légkivezető csatornát (9) a csatorna két végének kihúzásával.

2. Csatvarja be a légkivezető csatornát (9) a légkivezető csatorna (10) csatlakozójába.

3. Csatlakoztassa a légkivezető csatorna (10) csatlakozóját a készülékhez.

MEGJEGYZÉSEK:

1. Az elektromágneses interferencia elkerülése érdekében tartsa a készüléket legalább 1 méterre a TV -től vagy rádiótól.

2. Ne tegye ki a készüléket közvetlen napsugárzásnak, hogy elkerülje a felület színének elhalványulását.

3. Szállítás közben ne döntse meg az egységet 35 ° -nál nagyobb mértékben vagy fejjel lefelé. Ha a készüléket megfordították szállítás közben, tegye le megfelelően, és várjon 2-4 órát, mielőtt elindítja.

4. Helyezze a készüléket sík felületre, 5 ° -nál kisebb dőléssel.

5. A készülék hatékonyabban működik bizonyos helyiségekben, válassza ki a legjobb helyet:

- Ablak, ajtó vagy franciaablak mellett.

- Tartsa a szükséges távolságot a visszatérő levegő kimenetétől a falig vagy más akadályokig legalább 60 cm -re.

- Húzza ki a légtömlőt annak biztosítása érdekében, hogy a levegőtömlő másik végén legyen szabad hely az ablak ajtaja, vagy a franciaablak, vagy a fallyuk között.

- A levegő kiömlőnyílását vagy beszívását nem akadályozhatja védőrács vagy bármilyen akadály.

Az egység élettartamának meghosszabbítása érdekében a szezon végén a tárolóba helyezés előtt ürítse ki a kondenzvizet a leeresztőnyílásból (8).

A KÉSZÜLÉK LEÍRÁSA (A és B kép)

1. Vezérlőpult 2. Hideg levegő kimenet

3. Jelfogó 4. Távírányító

5. Szállítási fogantyú 6. Kipufogócsatorna

7. Párologtató bemenet 8. Leeresztő dugó

9. Levegő elszívó csatorna 10. Levegő elszívó csatorna csatlakozója

11. Ablak kipufogó adapter

VEZÉRLŐPANEL (C kép)

A. Bekapcsoló gomb B. Ventilátor sebesség gomb

C. Üzem mód gomb D. Időzítő / Hőmérséklet -növelő gomb

E. Időzítő / Hőmérséklet lenyomó gomb F. Ventilátor alacsony sebesség jelző

G. Ventilátor nagy sebességű kijelző K. Hűvös üzemmód jelző

L. Párátlanítási üzemmód jelző M. Ventilátor üzemmód kijelző

N. Időzítő gomb R. WF - teljes víz jelző

S. Állítsa be a hőmérsékletet / Időzítő kijelzése W. Időzítő kijelző

TÁVIRÁNYÍTÓ - D kép

A távirányító jeleket továbbítja a jelvevőre (3).

- "A" gomb - a készülék akkor indul el, amikor feszültség alatt van, leáll, amikor üzemel, ha megnyomja ezt a gombot.  
"C" gomb - nyomja meg, hogy kiválassza az üzemmódot: "K", "L" vagy "M". A megfelelő jelzőfény kigyullad.  
"B" gomb - nyomja meg a ventilátor sebességének kiválasztásához. A megfelelő jelzőfény kigyullad.  
"D" / "E" gomb - nyomja meg a kívánt hőmérséklet beállításához a helyiségben vagy az időzítőben. Az „S” kijelző a kívánt hőmérsékletet mutatja, nem a helyiség hőmérsékletét.  
"N" gomb - nyomja meg az automatikus kikapcsolás és az automatikus bekapcsolás idejének beállításához.

## A VEZÉRLŐPANEL MŰKÖDÉSE HŰTÉS / SZÁRAZ / VENTILÁTOR

### 1. Kapcsolja be a készüléket.

- Csatlakoztassa a készüléket, majd a készülék egyszer sípol.
- Nyomja meg az "A" gombot, ekkor a készülék bekapcsol.
- A LED kijelző a beállított hőmérsékletet jelzi.

### 2. Válassza ki az üzemmódot

Nyomja meg a "C" gombot a kívánt üzemmód kiválasztásához sorrendben:  
Hűtési mód "K" -> "L" szárítási mód -> "M" ventilátor üzemmód

### 3. Állítsa be a hőmérsékletet

A hőmérséklet 16-31 ° C között állítható be. Nyomja meg a „D” vagy „E” gombot a hőmérséklet 1 ° C -kal történő növeléséhez vagy csökkentéséhez az egyszeri megnyomással. A készülék LED -panelje 5 másodpercig mutatja a célhőmérsékletet, majd megjeleníti a beállított hőmérsékletet, nem a szoba hőmérsékletét.

A „K” hűtési üzemmódban a hőmérséklet beállítása után, ha ismét a „K” vagy a „M” ventilátor üzemmódot választja, a LED kijelző az alapértelmezett 25 ° C hőmérsékletet jelzi.

### 4. Állítsa be a ventilátor sebességét

Nyomja meg a "B" gombot a kívánt ventilátor sebesség kijelzéséhez sorrendben:  
Kis sebesség "F" -> Nagy sebesség G

### 5. Teljesítmény

Ha ismét megnyomja az "A" gombot, a készülék "di" hangjelzést ad és leáll.

### 6. Nyomja meg ezt az "N" gombot időzítő beállításához.

A módok működési elvei:

#### Párátlanítás "L" mód:

1. A ventilátor alacsony fordulatszámon működik, és a fordulatszám nem állítható.

A hőmérséklet beállítása nem hatékony. A készülék automatikusan beállítja a beállított hőmérsékletet 2 ° C -kal a szobahőmérséklet alá, amikor a párátlanítási módba lép.

2. Ha a szobahőmérséklet  $\leq 16$  ° C, nem szárítható, a ventilátor alacsony sebességgel működik.

#### FIGYELEM:

Ha a készüléket változó páratartalmú körülmények között üzemelteti, a leeresztő csavarnak (8) folyamatosan nyitva kell lennie, és biztosítania kell a víz állandó elvezetését. A kényelmes vízleeresztéshez használja a készletben található csövet.

#### HŰTÉS "K" mód:

1. Ha a helyiség hőmérséklete magasabb, mint a vezérlőpulton beállított hőmérséklet, a kompresszor elkezd működni. A készülék lehűti a helyiséget.

2. Ha a helyiség hőmérséklete alacsonyabb, mint a vezérlőpulton beállított hőmérséklet, a kompresszor leáll, és a ventilátor az eredeti beállított sebességgel működik.

#### Ventilátor "M." mód.

1. A ventilátor a beállított fordulatszámon működik, a kompresszor pedig nem.

2. A hőmérséklet beállítása nem hatékony.

## TISZTÍTÁS ÉS KARBANTARTÁS

A készülék karbantartása

1. Kapcsolja ki a készüléket, mielőtt lekapcsolja az áramellátást.

2. Törölje le puha és száraz ruhával. Ha a készülék nagyon piszkos, 40 ° C alatti langyos vizet használjon.
3. Soha ne használjon illékony anyagokat, például benzint vagy polírozóport a készülék tisztításához.

#### Légszűrő karbantartás

Szükséges 2 hetente tisztítani a légszűrőt, ha a készülék rendkívül poros környezetben működik. Tisztítsa meg az alábbiak szerint:

1. Először állítsa le a készüléket, nyomja felfelé a levegőszűrőt (F kép).
2. Tisztítsa meg és helyezze vissza a levegőszűrőt.
3. Ha a piszok feltűnő, mossa le langyos vízben lévő mosószer oldattal. Tisztítás után szárítsa meg árnyékos és hűvös helyen, majd helyezze vissza.

#### Karbantartás szezonális használat után

1. Ha a készüléket hosszabb ideig nem használja, mindenképpen húzza ki a leeresztőnyílás (8) gumidugóját a víz elvezetéséhez.
2. Hagyja a készüléket ventilátor üzemmódban csak fél napig egy napsütöses napon, hogy a készülék belsejében megszáradjon, és ne penészedjen meg.
3. Állítsa le a készüléket, és húzza ki a tápkábel dugóját, majd vegye ki a távirányító elemeit, és tárolja megfelelően.
4. Tisztítsa meg és szerelje vissza a levegőszűrőt.
5. Távolítsa el a légtömlőket, és tárolja megfelelően, és szorosan zárja le a lyukait.

#### MŰSZAKI ADATOK:

Hűtési teljesítmény BTU -nál: 9000 BTU / óra  
Hűtőteliesség wattban: 2600 W  
Energiafogyasztás (hűtés) W: 950 W  
Hangerő: <= 64 dB  
Légáram: 270 m<sup>3</sup> / h  
Energiaosztály: A  
Időzítő: 24 óra  
R290 hűtőközeg súlya: max. 160 gramm  
Feszültség 220-240V ~ 50Hz



Vigyázat, tűzveszély.

NE átszűrja vagy égesse.

Vegye figyelembe, hogy a hűtőközeg nem tartalmazhat szagokat.

A hűtőközeg maximális töltöttsége: 160 g..



A környezet védelme érdekében kérjük külön karton dobozok és műanyag zsákokat és dobja őket a megfelelő hulladék közé. Használt készüléket kell eljuttatni a kijelölt gyűjtőhelyekre miatt veszélyes elemek alkatrészeket, amelyek hatással lehetnek a környezetre. Ne dobja a készüléket a közös szemétkosárba.

## SUOMI

### YLEISET TURVALLISUUSOLOSUHTEET

#### TÄRKEITÄ TURVAOHJEITA LUE HUOLELLISESTI JA SÄILYÄ TULEVAISUUTTA

1. Lue käyttöohjeet ja noudata niiden ohjeita ennen laitteen käyttöä. Valmistaja ei ole vastuussa vahingoista, jotka aiheutuvat laitteen käyttötarkoituksen vastaisesta käytöstä tai virheellisestä käytöstä.
2. Laite on tarkoitettu vain kotikäyttöön. Älä käytä muihin tarkoituksiin, jotka eivät ole sen käyttötarkoituksien.
3. Laite saa kytkeä vain pistorasiaan, jonka maadoitus on 220 240 V ~ 50 Hz. Käyttöturvallisuuden lisäämiseksi useita sähkölaitteita ei tule kytkeä samaan virtapiiriin.
4. Ole erityisen varovainen käyttäessäsi laitetta, kun lapset ovat lähellä. Älä anna lasten leikkiä laitteen kanssa, älä anna lasten tai muiden tuntemattomien käyttää sitä.
5. VAROITUS: Tätä laitetta voivat käyttää yli 8-vuotiaat lapset ja henkilöt, joilla on rajoitetut fyysiset, aisti- tai henkiset kyvyt tai ihmiset, joilla ei ole kokemusta tai tietoa laitteista, jos tämä tehdään vastuussa olevan henkilön valvonnassa. heidän turvallisuutensa vuoksi tai heille on annettu tietoja laitteen turvallisesta käytöstä ja he ovat tietoisia laitteen käytön vaaroista. Lasten ei tulisi leikkiä laitteilla. Laitetta ei saa

puhdistaa ja huoltaa, elleivät lapset ole yli 8-vuotiaita ja nämä toimet suoritetaan valvonnassa.

6. Irrota virtajohto aina pitämällä pistorasiaa kädellä käytön jälkeen. ÄLÄ vedä virtajohtoa.

7. Älä upota kaapelia, pistoketta ja koko laitetta veteen tai muuhun nesteeseen. Älä altista laitetta ilmasto-olosuhteille (sade, aurinko jne.) Tai käytä korkean kosteuden olosuhteissa (kylpyhuoneet, kosteat asuntovaunut).

8. Tarkista säännöllisesti virtajohdon kunto. Jos virtajohto on vaurioitunut, se on vaihdettava erikoistuneeseen korjaamoon vaaran välttämiseksi.

9. Älä käytä laitetta vaurioituneen virtajohdon kanssa tai jos se on pudonnut tai vaurioitunut jollakin muulla tavalla tai jos se ei toimi oikein. Älä korjaa laitetta itse, koska siinä on sähköiskun vaara. Vie vaurioitunut laite asianmukaiseen huoltokeskukseen tarkistamista tai korjaamista varten. Kaikki korjaukset saa suorittaa vain valtuutetut huoltoliikkeet. Väärin suoritettavat korjaukset voivat aiheuttaa vakavan vaaran käyttäjälle.

10. Sijoita laite viileälle, vakaalle alustalle, pois kuumista keittiövälineistä, kuten sähköliesi, kaasupoltin jne.

11. Varmista, että mikään ei estä laitteen ilmanottoa ja poistoa

12. Käytä laitetta vain tasaisella pinnalla estämään kondenssiveden valuminen

13. Lisäsuojauksen tarjoamiseksi on suositeltavaa asentaa sähkövirtapiiriin jäännösvirtalaite (RCD), jonka nimellisvirtavirta ei ylitä 30mA. Pyydä sitä sähköasentajalta.

14. Puhdista ilmansuodatin säännöllisesti. Puhdistuksen tiheys riippuu ilman puhtaudesta.

15. Kun olet sammuttanut koneen, odota vähintään 5 minuuttia ennen kuin kytket sen takaisin päälle.

16. Älä käytä laitetta aurinkoisissa paikoissa. Kun laite ylikuumenee, ylikuumenemissuoja kytkee laitteen päälle.

17. Tehokkaan jäähtäytyksen varmistamiseksi laitteen sivuseinämien ja seinän, huonekalujen tai verhojen välillä on pidettävä vähintään 60 cm:n etäisyys.

18. Laitteen rajallisen suorituskyvyn vuoksi, jos tavoitelämpötilan ja ympäristön lämpötilan välinen ero on liian suuri, tavoitelämpötilaa ei ehkä saavuteta.

19. Tulipalo-, sähköisku- tai loukkaantumisriskin vähentämiseksi ilmastointilaitetta käytettäessä noudata seuraavia perusvaroitointeja:

a) Kytke maadoitettuun pistorasiaan 3 tapilla.

b) Älä poista maadoituskärkiä.

c) Älä käytä sovitinta.

d) Älä käytä jatkojohtoa.

e) Irrota ilmastointilaitte ennen huoltoa.

f) Siirrä ja asenna ilmastointilaitte kahdella tai useammalla henkilöllä.

20. Älä käytä muita kuin valmistajan suosittelemia aineita, jotka nopeuttavat sulatus- tai

puhdistusprosessia.

21. Laitetta tulisi varastoida huoneessa, jossa ei ole jatkuvasti toimivia sytytyslähteitä, esimerkiksi: avotuli, kaasulaitteet tai sähkölämmittimet.

#### ENNEN KÄYTTÖÄ - (kuva E)

Liitä liittimet ilmanpoistokanavaan seuraavasti:

1. Pidennä ilmanpoistokanavaa (9) vetämällä kanavan kaksi päätä ulos.
2. Ruuvaa ilmanpoistokanava (9) ilmanpoistokanavan (10) liittimeen.
3. Liitä ilmanpoistokanavan (10) liitin laitteeseen.

#### HUOMAUTUKSET:

1. Pidä laite vähintään 1 metrin päässä televisiosta tai radiosta sähkömagneettisten häiriöiden välttämiseksi.
  2. Älä altista laitetta suoralle auringonvalolle, jotta pinnan väri ei haalistu.
  3. Älä kallista laitetta yli 35 ° tai ylösalaisin kuljetuksen aikana. Jos laite on käännetty ympäri kuljetuksen aikana, aseta se oikein ja odota 2–4 tuntia ennen sen käynnistämistä.
  4. Sijoita laite tasaiselle pinnalle, jonka kaltevuus on alle 5 °.
  5. Laitte toimii tehokkaammin tietyissä huonekohteissa, valitse paras sijainti:
    - Ikkunan, oven tai ranskalaisen ikkunan vieressä.
    - Pidä vaadittu etäisyys paluuilman ulostulosta seinään tai muihin esteisiin vähintään 60 cm.
    - Pidennä ilmaletkua varmistaaksesi, että ilmaletkun toisessa päässä on tilaa ikkunaluukun tai ranskalaisen ikkunan tai seinäreiän väliin.
    - Ilman ulostuloa tai imua ei voi estää suojaverkolla tai millään esteellä.
- Laitteen käyttöäin pidentämiseksi tyhjennä kondenssivesi tyhjennysaukosta (8) ennen kuin asetat laitteen varastoon kauden päätyttyä.

#### LAITTEEN KUVAUS (kuvat A ja B)

- |                                |                               |
|--------------------------------|-------------------------------|
| 1. Ohjauspaneeli               | 2. Kylmän ilman ulostulo      |
| 3. Signaalivastaanotin         | 4. Kaukosäädin                |
| 5. Kuljetuskahva               | 6. Poistoputki                |
| 7. Höyrystimen tuloaukko       | 8. Tyhjennysluppa             |
| 9. Ilmanpoistokanava           | 10. Ilmanpoistokanavan liitin |
| 11. Ikkunan pakoputken sovitin |                               |

#### OHJAUSPANEELI (kuva C)

- |  |  |
|--|--|
| A. Virtapainike                        | B. Puhaltimen nopeuspainike              |
| C. Tila -painike                       | D. Ajastin / Lämpötilan nousu -painike   |
| E. Ajastin / Lämpötilan alennuspainike | F. Puhaltimen alhaisen nopeuden ilmainen |
| G. Tuulettimen nopean tilan ilmainen   | K. Jäähdytystilan ilmainen               |
| L. Kuivaustilan ilmainen               | M. Tuuletintilan ilmainen                |
| N. Ajastinpainike                      | R.WF - täyden veden merkivalo            |
| S. Aseta lämpötila / ajastimen näyttö  | W. Ajastimen ilmainen                    |

#### KAUKOSÄÄDIN - kuva D

Kaukosäädin lähettää signaaleja signaalivastaanottimelle (3).

Painike "A" - laite käynnistyy, kun se saa virtaa, tai pysähtyy, kun se on toiminnassa, jos painat tätä painiketta.

Painike "C" - paina sitä valitaksesi toimintatavan: "K", "L" tai "M". Sopiva merkivalo syttyy.

Painike "B" - paina sitä valitaksesi puhaltimen nopeuden peräkkäin. Sopiva merkivalo syttyy.

Painike "D" / "E" - paina asettaaksesi halutun lämpötilan huoneeseen tai ajastimeen. Näyttö "S" esittää haluttua lämpötilaa, ei huoneen lämpötilaa.

Painike "N" - paina asettaaksesi automaattisen sammutuksen ja automaattisen käynnistyksen ajan.

#### OHJAUSPANEELIN KÄYTTÖ

COOL / DRY / FAN

1. Käynnistä laite.

- a) Liitä laite ja laite piippaa kerran.
- b) Paina "A" -painiketta, jolloin laite käynnistyy.
- c) LED -näyttö osoittaa asetetun lämpötilan.

## 2. Valitse käyttötapa

Paina "C" -painiketta valitaksesi haluamasi toimintatavan järjestyksessä:  
Jäähdytystila "K" -> Kuivaustila "L" -> Puhallintila "M."

## 3. Säädä lämpötila

Lämpötila voidaan asettaa alueelle 16-31 ° C. Paina "D" tai "E" -painiketta nostaaksesi tai laskeaksesi lämpötilaa 1 ° C painamalla kerran. Laitteen LED -paneeli näyttää tavoitelämpötilan 5 sekunnin ajan ja näyttää sitten asetetun lämpötilan, joka ei ole huoneen lämpötila.

Kun olet asettanut lämpötilan jäähdytystilaan "K", jos valitset uudelleen jäähdytystilan "K" tai tuulettimen tilan "M", LED -näyttö osoittaa oletuslämpötilan 25 ° C.

## 4. Säädä tuulettimen nopeutta

Paina painiketta "B" valitaksesi haluamasi tuulettimen nopeusnäytöt järjestyksessä:  
Pieni nopeus "F" -> Suuri nopeus G

## 5. Virta

Kun painat "A" -painiketta uudelleen, laite antaa di -äänimerkin ja lakkaa toimimasta.

## 6. Aseta ajastin painamalla tätä painiketta "N".

### Toimintatavat:

#### Kuivaus "L" -tila:

1. Puhallin käy pienellä nopeudella, eikä nopeutta voi säätää.

Lämpötilan säätö ei ole tehokasta. Laite säätää asetetun lämpötilan automaattisesti 2 ° C huonelämpötilan alapuolelle, kun se siirtyy kosteudenpoistotilaan.

2. Jos huonelämpötila  $\leq 16$  °C, ei voi kuivata, puhallin käy hitaalla nopeudella.

#### VAROITUS:

Kun laitetta käytetään vaihtelevassa kosteudessa, tyhjennystulpan (8) tulee olla jatkuvasti auki ja varmistaa veden jatkuva tyhjennys. Käytä mukavaa vedenpoistoa käyttämällä pakkauksessa olevaa putkea.

#### JÄÄHDYTYS "K" -tila:

1. Kun huonelämpötila on korkeampi kuin ohjauspaneelissa asetettu lämpötila, kompressori käynnistyy. Laite jäähdyttää huoneen.  
2. Kun huonelämpötila on alempi kuin ohjauspaneelissa asetettu lämpötila, kompressori pysähtyy ja tuuletin toimii alkuperäisellä asetetulla nopeudella.

#### Tuuletin "M." -tila.

1. Puhallin toimii asetetulla nopeudella eikä kompressori käy.  
2. Lämpötilan säätö ei ole tehokasta.

#### Ajastintoiminto "N":

1. Paina "N" -painiketta asettaaksesi automaattisen sammutusajan laitteen ollessa käynnissä.  
2. Aseta automaattinen käynnistymisaika painamalla "N" -painiketta laitteen ollessa valmis.  
3. Aikaa voidaan säätää 1 tunnin-24 tunnin sisällä painamalla painiketta "D" (+) tai "E" (-).

#### Ilmoitus:

Pääohjauskortissa on muistitoiminto, kun laite on käyttövalmis, mutta pysäytystilassa, pääkortti voi muistaa työtilan alustamisen. Kun kytket laitteen päälle, se toimii samalla tavalla kuin viimeksi, eikä sitä tarvitse nollata uudelleen.

#### KAUKOSÄÄDIN

1. Avaa ja irrota paristojen eristekalvo liu'uttamalla takakantta.  
2. Aseta paristot lokeroon oikealla puolella. Paristojen napojen on vastattava kauko-ohjaimen merkkejä "+" ja "-".  
3. Poista paristot, jos et käytä niitä pitkään aikaan.  
4. Ympäristön pilaantumisen estämiseksi poista käytetyt paristot ja hävitä ne asianmukaisesti.  
Käytä laitetta ohjaamalla kaukosäädin (4) signaalivastaanotinta (3) kohti. Kaukosäädin (4) käyttää laitetta 5 metrin etäisyydellä, kun se osoittaa laitteen signaalivastaanotinta (3).

#### SUOJLAITTEET

Suojalaite voi laueta ja pysäyttää laitteen alla luetelluissa tapauksissa:

1. jäädytystilassa: sisäilman lämpötila on yli 43 ° C
2. jäädytystilassa: huoneen lämpötila on alle 16 ° C
3. ilmankuivaustilassa: huonelämpötila on alle 16 ° C

Jos laite toimii jäädytystilassa "K" tai kosteudenpoistotilassa "L", kun ovi tai ikkuna on auki pitkään, kun suhteellinen kosteus on yli 80%, pistorasiasta voi tippua kastetta.

Suojalaite toimii seuraavissa tapauksissa:

1. Odota 3 minuuttia, kun käynnistä laitteen uudelleen heti työn lopettamisen tai valitun tilan muuttamisen aikana.
2. Jos pistoke on irrotettu, laite palaa uudelleenkäynnistyksen jälkeen alkuperäiseen tilaan, AJASTIN PÄÄLLE ja AJASTIN POIS - on asetettava uudelleen.

HUOMAUTUS: tähän laitteeseen on piilotettu kondenssiveden kierrätys. Kondenssivesi kierrätetään osittain lauhduttimen ja vesilevyn välillä. Kun vedenpinta nousee ylemmälle tasolle, sitä nostetaan uimurikytkimellä ja sitten (W.F.) täyden vedenpinnan merkivalo "R" syttyy muistuttamaan veden tyhjentämisestä. Katkaise virta, siirrä laite sopivaan paikkaan, poista tyhjennystulppa ja tyhjennä vesi kokonaan. Asenna tyhjennystulppa (8) tyhjennyksen jälkeen, muuten laite voi vuotaa ja kastaa huoneesi. Jos sitä ei tyhjennetä 5 minuutin kuluttua W.F. merkivalo päällä, näytössä näkyy E4.

Jos laite on sijoitettu tyhjennysvuotoon, voit myös liittää tyhjennysputken tyhjennysporttiin veden tyhjentämiseksi. Sarjaan on lisätty tyhjennysputki, jonka sisähalkaisija on 9 mm, ulkohalkaisija 12 mm, materiaali: PVC.

Engelmien kartoittaminen

1) Ongelma: Älä toimi.

Analyysi:

- a) Ehkä suojalaukaisu tai sulake on palanut, odota 3 minuuttia ja aloita uudelleen, suojalaite saattaa estää laitteen toiminnan.
- c) Kaukosäätimen paristot voivat olla tyhjt.
- d) pistoke ei ehkä ole kunnolla kiinni.

2) Ongelma: toimii vain lyhyen aikaa

Analyysi:

- a) Jos asetettu lämpötila on lähellä huoneenlämpötilaa, voit alentaa asetettua lämpötilaa.
- b) ehkä ilmanpoisto on tukossa. Ota este pois.

3) Ongelma: Toimii, mutta ei jäähdytä

Analyysi:

- a) ehkä ovi tai ikkuna ovat auki.
- b) ehkä lähietäisyydellä on toinen laite, joka lämmitää, kuten lämmitin tai lamppu jne.
- c) ilmansuodatin on likainen, puhdista se.
- d) ilman ulostulo tai tulo on tukossa.
- f) asetettu lämpötila on liian korkea.

4) Ongelma: Vesivuoto liikkumisen aikana.

Analyysi:

- a) tyhjennä lauhde ennen siirtämistä.
  - b) Sijoita laite tasaiselle alustalle välttääksesi vesivuotoja.
- 5) Ongelma: Älä työskentele ja veden täyttymisen merkivalo "W.F" palaa

Analyysi:

- a) Vedä kumitulppa ulos veden tyhjentämiseksi.
- b) jos se on usein tässä tilassa, ota yhteyttä pätevään tekniseen huoltoon.

Engelmien kartoittaminen

6) Ongelma: Laite ei käynnisty.

Analyysi:

- a) ei ehkä ole kytketty. Joten, kytke se.
- b) pistoke tai pistorasia voi vaurioitua. Korvaa palveluntarjoaja.
- c) sulake rikki. Vaihda sulake palveluntarjoajan toimesta (erittely: 3,15A/250VAC).

7) Ongelma: Laite pysähtyy automaattisesti.

Analyysi:

- a) sammutus tai asetettu lämpötila saavutettu. Käynnistä se uudelleen tai odota automaattista vaihtoa.
- 8) Ongelma: ei kylmää ilmaa COOL "K" -tilassa.

Analyysi:

- a) huonelämpötila on alempi kuin asetettu lämpötila. Se on normaali ilmiö, kone kytkeytyy automaattisesti päälle, kun huonelämpötila on korkeampi kuin asetettu lämpötila.
  - b) Laite on suojattu jäätymiseltä. Laite kytkeytyy automaattisesti päälle, kun jäätymissuoja on päättynyt.
- 9) Ongelma: LED -näyttö osoittaa vikakoodin "E0"

Analyysi:



a) huonelämpötila -anturi vioittuu tai vaurioituu. Vaihda huonelämpötila -anturi palveluntarjoajan toimesta.

10) Ongelma: LED -näyttö osoittaa vikakoodin "E4"

Analyyysi:

a) varoitus vedestä. Tyhjennä vesi.

## PUHDISTUS JA HUOLTO

Laitteen huolto

1. Sammuta laite ensin, ennen kuin irrotat sen virtalähteestä.
2. Pyyhi pehmeällä ja kuivalla liinalla. Puhdista haalealla vedellä alle 40 ° C, jos laite on erittäin likainen.
3. Älä koskaan käytä laitteen puhdistamiseen haittuvia aineita, kuten bensiiniä tai kiillotusjauhetta.

Ilmansuodattimen huolto

Ilmansuodatin on puhdistettava 2 viikon välein, jos laite toimii erittäin pölyisessä ympäristössä. Puhdista seuraavasti:

1. Pysäytä laite ensin, työnnä ilmansuodatin ylös (kuva F).
2. Puhdista ja asenna ilmansuodatin uudelleen.
3. Jos lika on näkyvää, pese se pesuaineliuksella haaleassa vedessä. Kuivaa se puhdistuksen jälkeen varjostetussa ja viileässä paikassa ja asenna se sitten takaisin.

Huolto kausikäytön jälkeen

1. Jos laitetta ei käytetä pitkään aikaan, vedä tyhjennysaukon (8) kumitulppa ulos veden tyhjentämiseksi.
2. Anna laitteen käydä tuulettimella vain puolen päivän ajan aurinkoisena päivänä, jotta laite kuivuu sisältä ja estää homeutumisen.
3. Pysäytä laite ja vedä virtajohdon pistoke irti, poista sitten kaukosäätimen paristot ja säilytä laite oikein.
4. Puhdista ilmansuodatin ja asenna se takaisin.
5. Irrota ilmaletkut ja säilytä ne oikein ja peitä reikä tiiviisti.

## TEKNISET TIEDOT:

Jäähdytysteho BTU: 9000 BTU / tunti

Jäähdytysteho watteina: 2600 W

Energiankulutus (jäähdytys) W: 950 W

Äänenvoimakkuus: <= 64 dB

Ilmavirta: 270 m3 / h

Energialuokka: A

Ajastin: 24 tuntia

R290 jäähdytysnesteen paino: max. 160 grammaa

Jännite 220-240V ~ 50Hz



Varo, tulipalon vaara.

ÄLÄ lävistä tai polta.

Huomaa, että kylmäaine ei saa sisältää hajua.

Kylmäaineen enimmäismäärä: 160 g.



Suojellaksesi ympäristöäsi: hävitä pahlavilaatit ja muovipussit ja kierrätä ne niille tarkoitetuissa jätteastioiden. Käytetyt koneet tulevat toimittua niihin erioistuneisiin keräyspisteisiin ympäristölle vaarallisten aineiden takia. Älä hävitä laitteita sekajätteessä.

## РУССКИЙ

### ОБЩИЕ УСЛОВИЯ БЕЗОПАСНОСТИ

### ВАЖНЫЕ ИНСТРУКЦИИ ПО БЕЗОПАСНОСТИ ВНИМАТЕЛЬНО ПРОЧТИТЕ И СОХРАНИТЕ НА БУДУЩЕЕ

1. Перед использованием устройства прочитайте инструкцию по эксплуатации и следуйте инструкциям, содержащимся в нем. Производитель не несет ответственности за ущерб, вызванный использованием устройства вопреки его назначению или неправильной эксплуатации.
2. Устройство предназначено только для домашнего использования. Не используйте для других целей, которые не по назначению.
3. Устройство должно быть подключено только к розетке переменного тока с заземлением 220 240 В ~ 50 Гц. Для повышения эксплуатационной безопасности, несколько электрических устройств не должны быть подключены к одной цепи

тока одновременно.

4. Будьте предельно осторожны при использовании устройства, когда рядом находятся дети. Не позволяйте детям играть с устройством, не позволяйте детям или людям, незнакомым с устройством, использовать его.

5. **ПРЕДУПРЕЖДЕНИЕ.** Данное оборудование могут использовать дети старше 8 лет и люди с ограниченными физическими, сенсорными или умственными способностями или люди, которые не имеют опыта или знаний об оборудовании, если это делается под наблюдением ответственного лица. Для их безопасности или были предоставлены им информацию о безопасном использовании устройства и знают об опасностях его использования. Дети не должны играть с оборудованием. Чистка и техническое обслуживание устройства не должны выполняться детьми, за исключением случаев, когда им исполнилось 8 лет, и эти действия выполняются под наблюдением.

6. Всегда отсоединяйте штепсельную вилку, придерживая розетку рукой после использования. НЕ тяните за шнур питания.

7. Не погружайте кабель, вилку и все устройство в воду или любую другую жидкость. Не подвергайте устройство воздействию атмосферных условий (дождь, солнце и т. Д.) И не используйте его в условиях повышенной влажности (ванные комнаты, влажные дома на колесах).

8. Периодически проверяйте состояние шнура питания. Если шнур питания поврежден, его следует заменить в специализированной ремонтной мастерской, чтобы избежать опасности.

9. Не используйте прибор с поврежденным шнуром питания, если он упал или поврежден каким-либо иным образом или он не работает должным образом. Не ремонтируйте устройство самостоятельно, так как существует риск поражения электрическим током. Доставьте поврежденное устройство в соответствующий сервисный центр для проверки или ремонта. Все ремонтные работы могут выполняться только авторизованными сервисными центрами. Неправильно выполненный ремонт может представлять серьезную опасность для пользователя.

10. Поместите устройство на прохладную, устойчивую поверхность, вдали от горячих кухонных приборов, таких как: электрическая плита, газовая горелка и т. Д.

11. Убедитесь, что ничто не блокирует вход и выход воздуха устройства

12. Используйте устройство только на ровной поверхности, чтобы предотвратить выпадение конденсата.

13. Для обеспечения дополнительной защиты рекомендуется установить устройство защитного отключения (УЗО) в электрической цепи с номинальным током не более 30 мА. Спросите электрика для этого.

14. Регулярно очищайте воздушный фильтр. Частота очистки зависит от чистоты

воздуха.

15. После выключения машины подождите не менее 5 минут, прежде чем снова включить его.

16. Не используйте устройство в солнечных местах. Когда устройство перегревается, защита от перегрева включает устройство.

17. Чтобы обеспечить эффективное охлаждение, расстояние между боковыми стенками устройства и стеной, мебелью или шторами должно быть не менее 60 см.

18. Из-за ограниченной производительности устройства, если разница между целевой температурой и температурой окружающей среды слишком велика, заданная температура может быть не достигнута.

19. Чтобы снизить риск возгорания, поражения электрическим током или травмы при использовании кондиционера, соблюдайте следующие основные меры предосторожности:

а) Подключите к заземленной розетке с 3 контактами.

б) Не удаляйте заземляющий контакт.

в) Не используйте адаптер.

г) Не используйте удлинитель.

е) Отключите кондиционер перед обслуживанием.

ф) Для перемещения и установки кондиционера используйте двух или более человек.

20. Не используйте средства, ускоряющие процесс размораживания или очистки, кроме тех, которые рекомендованы производителем.

21. Устройство следует хранить в помещении без постоянно работающих источников возгорания, например: открытого огня, газовых приборов или электрических обогревателей.

ПЕРЕД ПЕРВЫМ ИСПОЛЬЗОВАНИЕМ - (рисунок Е)

Подключите разъемы к воздуховоду отвода воздуха следующим образом:

1. Расширьте вытяжной воздуховод (9), вытягивая два конца воздуховода.
2. Вкрутите воздуховод (9) в штуцер воздуховода (10).
3. Подсоедините штуцер воздуховода (10) к устройству.

ЗАМЕЧАНИЯ:

1. Держите устройство на расстоянии не менее 1 метра от телевизора или радиоприемника, чтобы избежать электромагнитных помех.

2. Не подвергайте устройству воздействию прямых солнечных лучей, чтобы избежать обесцвечивания поверхности.

3. Не наклоняйте устройство более чем на 35 ° или вверх дном во время транспортировки. Если устройство перевернулось во время транспортировки, положите его правильно и подождите 2-4 часа, прежде чем запускать.

4. Разместите устройство на плоской поверхности с наклоном менее 5 °.

5. Агрегат работает более эффективно в определенных местах комнаты, выберите лучшее место:

- Рядом с окном, дверью или французское окно.

- Соблюдайте необходимое расстояние от выхода рециркуляционного воздуха до стены или других препятствий не менее 60 см.

- Вытяните воздушный шланг так, чтобы другой конец воздушного шланга имел зазор между оконной дверью, французским окном или отверстием в стене.

- Выход или вход воздуха не могут быть заблокированы защитной решеткой или какими-либо препятствиями.

Чтобы продлить срок службы агрегата, слейте конденсат из дренажного отверстия (8) перед тем, как положить агрегат на хранение в конце сезона.

## ОПИСАНИЕ УСТРОЙСТВА (рисунки А и В)

1. Панель управления
2. Выход холодного воздуха.
3. Приемник сигнала
4. Пульт дистанционного управления
5. Транспортная ручка
6. Выхлопной канал.
7. Вход испарителя
8. Сливная пробка.
9. Воздуховод
10. Соединитель воздуховода.
11. Адаптер оконного выхлопа

## ПАНЕЛЬ УПРАВЛЕНИЯ (рисунок С)

- |  |   |
|--|---|
| A. Кнопка питания                          | V. Кнопка скорости вентилятора            |
| C. Кнопка режима                           | D. Кнопка таймера / повышения температуры |
| E. Кнопка таймера / понижения температуры  | F. Индикатор низкой скорости вентилятора  |
| G. Индикатор высокой скорости вентилятора  | K. Индикатор режима охлаждения            |
| L. Индикатор режима осушения               | M. Индикатор режима вентилятора           |
| N. Кнопка таймера                          | R. WF - индикатор полной воды             |
| S. Установка температуры / дисплей таймера | W. Индикатор таймера                      |

## ПУЛЬТ ДИСТАНЦИОННОГО УПРАВЛЕНИЯ - изображение D

Пульт дистанционного управления передает сигналы на приемник сигналов (3).

Кнопка «А» - прибор будет запущен, когда на него будет подано напряжение, или будет остановлен во время работы, если вы нажмете эту кнопку.

Кнопка «С» - нажмите ее, чтобы выбрать режим работы: «К», «L» или «М». Загорится соответствующий индикатор.

Кнопка «В» - нажимайте ее для последовательного выбора скорости вентилятора. Загорится соответствующий индикатор.

Кнопка «D» / «E» - нажмите, чтобы установить желаемую температуру в помещении или таймер. На дисплее «S» отображается желаемая температура, а не температура в помещении.

Кнопка «N» - нажмите, чтобы установить время автоматического выключения и автоматического включения.

## РАБОТА ПАНЕЛИ УПРАВЛЕНИЯ

### ОХЛАЖДЕНИЕ / ОСУШЕНИЕ / ВЕНТИЛЯТОР

1. Включите устройство.

а) Подключите устройство, и устройство издаст один звуковой сигнал.

б) Нажмите кнопку «А», после этого устройство включится.

в) Светодиодный дисплей показывает установленную температуру.

2. Выберите режим работы

Нажмите кнопку «С», чтобы последовательно выбрать желаемый режим работы:

Режим охлаждения «К» -> Режим сушки «L» -> Режим вентилятора «М.»

3. Отрегулируйте температуру.

Температуру можно установить в диапазоне от 16 до 31 ° C. Нажмите кнопку «D» или «E», чтобы увеличить или уменьшить температуру на 1 ° C, нажав один раз. Светодиодная панель устройства показывает целевую температуру в течение 5 секунд, а затем отображает установленную температуру, а не текущую температуру в помещении.

После установки температуры в режиме охлаждения «К», если вы снова выберете режим охлаждения «К» или режим вентилятора «М», то светодиодный дисплей покажет целевую температуру по умолчанию 25 ° C.

4. Отрегулируйте скорость вентилятора.

Нажмите кнопку «В», чтобы выбрать желаемую скорость вращения вентилятора, отображаемую в последовательности:

Низкая скорость "F" -> Высокая скорость G

5. Мощность

При повторном нажатии кнопки «А» устройство издаст звук «ди» и перестанет работать.

6. Нажмите эту кнопку «N», чтобы установить таймер.

Принципы работы режимов:

Режим осушения «L»:

1. Вентилятор будет работать на низкой скорости, и скорость не может быть отрегулирована.

Регулировка температуры неэффективна. При переходе в режим осушения устройство автоматически устанавливает заданную температуру на 2 ° C ниже комнатной.

2. Если температура в помещении  $\leq 16$  ° C, осушение невозможно, вентилятор будет работать на низкой скорости.

## ПРЕДУПРЕЖДЕНИЕ:

При эксплуатации устройства в условиях переменной влажности сливная пробка (8) должна быть постоянно открыта и обеспечивать постоянный слив воды. Для комфортного слива воды используйте патрубок, входящий в комплект.

## ОХЛАЖДЕНИЕ "К" режим:

1. Когда температура в помещении выше, чем температура, установленная на панели управления, компрессор запускается. Устройство охлаждает комнату.
2. Когда температура в помещении ниже, чем заданная температура на панели управления, компрессор останавливается, а вентилятор работает с исходной заданной скоростью.

## Вентилятор «М» режим.

1. Вентилятор работает с установленной скоростью, а компрессор не работает.
2. Регулировка температуры неэффективна.

## Таймер срабатывания «N»:

1. Нажмите кнопку «N», чтобы установить время автоматического выключения во время работы устройства.
2. Нажмите кнопку «N», чтобы установить время автоматического включения, пока устройство готово.
3. Время можно настроить в диапазоне от 1 часа до 24 часов, нажав кнопку «D» (+) или «E» (-).

## Уведомление:

Основная плата управления имеет функцию памяти, когда устройство готово к работе, но в состоянии остановки, основная плата управления может запомнить инициализацию рабочего режима. Когда вы включаете устройство, оно будет работать так же, как и в прошлый раз, без необходимости снова сбрасывать рабочий режим.

## ПУЛЬТ ДИСТАНЦИОННОГО УПРАВЛЕНИЯ

1. Сдвиньте заднюю крышку, чтобы открыть, и снимите изолирующую пленку с батареек.
2. Вставьте батарейки в отсек правильной стороной. Полюса батарей должны соответствовать знакам «+» и «-» на пульте дистанционного управления.
3. Если долгое время не использовался, выньте батареи.
4. Во избежание загрязнения окружающей среды извлеките использованные батареи и утилизируйте их безопасным образом и надлежащим образом.

Чтобы управлять устройством, направьте пульт дистанционного управления (4) на приемник сигнала (3). Пульт дистанционного управления (4) будет управлять устройством на расстоянии 5 метров, если направить его на приемник сигнала (3) устройства.

## ЗАЩИТНЫЕ УСТРОЙСТВА

Защитное устройство может сработать и остановить прибор в следующих случаях:

1. в режиме охлаждения: температура воздуха в помещении выше 43 ° C.
2. в режиме охлаждения: температура в помещении ниже 16 ° C.
3. в режиме осушения: температура в помещении ниже 16 ° C.

Если устройство работает в режиме охлаждения «К» или осушения «L» с открытой дверцей или окном в течение длительного времени при относительной влажности выше 80%, из выпускного отверстия может капать роса.

Защитное устройство сработает в следующих случаях:

1. Перезагрузив устройство сразу после остановки работы или изменения выбранного режима во время работы, необходимо подождать 3 минуты.
2. Если вилка была удалена, после перезапуска устройство вернется в исходный режим, ТАЙМЕР ВКЛ. И ТАЙМЕР ВЫКЛ. - необходимо установить заново.

**ПРИМЕЧАНИЕ:** в этом устройстве скрыта рециркуляция конденсата. Конденсатор частично рециркулирует между конденсатором и встроенной водяной пластиной. Когда уровень воды поднимается до верхнего уровня, он повышается с помощью поплавкового переключателя, затем (W.F.) загорается индикатор полного уровня воды «R», чтобы напомнить вам о необходимости слить воду. Отключите электропитание, переместите прибор в подходящее место, снимите сливную пробку, полностью слейте воду. После слива снова установите сливную пробку (8), иначе прибор может протечь и намочит ваша комната. Если его не слить через 5 минут после W.F. горит индикация, на дисплее отображается E4.

Если устройство находится в месте, куда поступает сливная вода, вы также можете подсоединить сливную трубу к сливному отверстию для слива воды. В комплект добавляется сливная труба, внутренний диаметр 9мм, внешний диаметр 12мм, материал: ПВХ.

## Исправление проблем

1) Беда: не работает.

### Анализ:

а) возможно срабатывание предохранителя или предохранитель перегорел, подождите 3 минуты и запустите снова, предохранительное устройство может препятствовать работе устройства.

с) возможно, батарейки в пульте дистанционного управления разрядились.

г) возможно, вилка неправильно вставлена.

2) Проблема: работает только на короткое время

### Анализ:

а) если установленная температура близка к комнатной, вы можете понизить установленную температуру.

б) возможно, выход воздуха заблокирован препятствием. Устраните препятствие.

3) Проблема: работает, но не остывает

### Анализ:

а) возможно, дверь или окно открыты.

б) возможно, в непосредственной близости находится другой прибор, работающий от тепла, например, обогреватель или лампа и т. д.

в) воздушный фильтр загрязнен, очистите его.

г) воздухозаборник или выходное отверстие заблокировано.

е) установленная температура слишком высока.

4) Проблема: утечка воды при движении.

### Анализ:

а) перед перемещением слейте конденсат.

б) во избежание протечки воды размещайте устройство на ровной поверхности.

5) Проблема: не работает, горит индикатор заполнения воды «W.F».

### Анализ:

а) вытащите резиновую пробку, чтобы слить воду.

б) если он часто бывает в таком состоянии, обратитесь к квалифицированному техническому специалисту.

## Исправление проблем

6) Проблема: устройство не запускается.

### Анализ:

а) возможно, не подключен. Итак, подключите его.

б) возможно повреждение вилки или розетки. Замените поставщиком услуг.

в) возможно, перегорел предохранитель. Замените предохранитель у поставщика услуг (спецификация: 3,15 A / 250 В переменного тока).

7) Проблема: устройство автоматически останавливается.

### Анализ:

а) отключение по времени или достижение заданной температуры. Перезагрузите его или дождитесь автоматического переключения.

8) Проблема: нет холодного воздуха в режиме ОХЛАЖДЕНИЕ «К».

### Анализ:

а) комнатная температура ниже установленной. Это нормальное явление, машина автоматически переключается, когда температура в помещении выше установленной.

б) Устройство входит в защиту от замерзания. Устройство автоматически переключится после срабатывания защиты от замерзания.

9) Неисправность: светодиодный дисплей показывает код неисправности «E0».

### Анализ:

а) датчик температуры в помещении вышел из строя или поврежден. Замените датчик температуры в помещении у поставщика услуг.

10) Неисправность: светодиодный дисплей показывает код неисправности «E4».

### Анализ:

а) предупреждение о полном заполнении водой. Слейте воду.

## ЧИСТКА И ТЕХНИЧЕСКОЕ ОБСЛУЖИВАНИЕ

### Обслуживание устройства

1. Перед отключением от источника питания выключите устройство.

2. Протрите мягкой сухой тканью. Если прибор очень грязный, используйте теплую воду при температуре ниже 40 ° С.

3. Никогда не используйте летучие вещества, такие как бензин или полировальный порошок, для очистки устройства.

### Обслуживание воздушного фильтра

Необходимо очищать воздушный фильтр каждые 2 недели, если устройство работает в очень запыленной среде. Очистите следующим образом:

1. Сначала остановите устройство, поднимите воздушный фильтр (Рисунок F).
2. Очистите и снова установите воздушный фильтр.
3. Если грязь заметна, промойте ее раствором моющего средства в теплой воде. После очистки высушите его в затененном и прохладном месте, а затем снова установите.

#### Уход после сезонного использования

1. Если устройство не будет использоваться в течение длительного времени, обязательно вытащите резиновую заглушку сливного отверстия (8), чтобы слить воду.
2. В солнечный день дайте прибору работать в режиме вентилятора только полдня, чтобы высушить прибор внутри и предотвратить появление плесени.
3. Остановите устройство и вытащите вилку шнура питания, затем извлеките батарейки из пульта дистанционного управления и храните устройство надлежащим образом.
4. Очистите воздушный фильтр и установите его на место.
5. Снимите воздушные шланги и храните их должным образом плотно закрыв отверстие.

#### ТЕХНИЧЕСКИЕ ДАННЫЕ:

Холодопроизводительность в БТЕ: 9000 БТЕ / час

Холодопроизводительность в ваттах: 2600 Вт

Энергопотребление (охлаждение) Вт: 950 Вт

Громкость: <= 64 дБ

Расход воздуха: 270 м<sup>3</sup> / ч

Энергетический класс: A

Таймер: 24 часа

Вес охлаждающей жидкости R290: макс. 160 грамм

Напряжение 220-240 В ~ 50 Гц



Осторожно, опасность пожара.

НЕ прокалывать и не сжигать.

Помните, что хладагент не может содержать запаха.

Максимальное количество заправляемого хладагента: 160 г.



Заботясь об окружающей среде.. Упаковку из картона передайте, пожалуйста, на макулатуру. Полиэтиленовые мешки (PE) выкидать в резервуар для пластмассы. Изношенное устройство надо передать в соответствующую точку хранения, так как находящиеся в устройстве опасные составляющие могут являться угрозой для окружающей среды. Электрическое устройство надо передать таким образом, чтобы ограничить его повторное употребление и использование. Если в устройстве находятся батареи, их надо вынуть и передать в точку хранения отдельно. Устройство не выкидать в резервуар для коммунальных отходов!

## ITALIANO

### CONDIZIONI GENERALI DI SICUREZZA

#### IMPORTANTI ISTRUZIONI DI SICUREZZA LEGGERE ATTENTAMENTE E SALVARE PER IL FUTURO

1. Prima di utilizzare il dispositivo, leggere il manuale operativo e seguire le istruzioni in esso contenute. Il produttore non è responsabile per danni causati dall'uso del dispositivo contrario allo scopo previsto o al funzionamento improprio.
2. Il dispositivo è solo per uso domestico. Non utilizzare per altri scopi diversi da quelli previsti.
3. Il dispositivo deve essere collegato solo a una presa CA con una messa a terra da 220 240 V ~ 50 Hz. Per aumentare la sicurezza operativa, più dispositivi elettrici non devono essere collegati contemporaneamente a un circuito di corrente.
4. Usare estrema cautela quando si usa il dispositivo quando i bambini sono nelle vicinanze. Non consentire ai bambini di giocare con il dispositivo, non consentire ai bambini o alle persone che non hanno familiarità con il dispositivo di usarlo.
5. **AVVERTENZA:** questa apparecchiatura può essere utilizzata da bambini di età superiore a 8 anni e persone con capacità fisiche, sensoriali o mentali limitate o persone che non hanno esperienza o conoscenza dell'attrezzatura, se ciò viene fatto sotto la supervisione di una persona responsabile per la loro sicurezza o hanno ricevuto loro

informazioni sull'uso sicuro del dispositivo e sono consapevoli dei pericoli connessi all'uso. I bambini non devono giocare con l'attrezzatura. La pulizia e la manutenzione del dispositivo non devono essere eseguite da bambini, a meno che non abbiano più di 8 anni e queste attività siano svolte sotto controllo.

6. Scollegare sempre la spina di alimentazione tenendo la presa con la mano dopo l'uso. NON tirare il cavo di alimentazione.

7. Non immergere il cavo, la spina e l'intero dispositivo in acqua o altri liquidi. Non esporre il dispositivo a condizioni atmosferiche (pioggia, sole, ecc.) O utilizzare in condizioni di elevata umidità (bagni, case mobili umide).

8. Controllare periodicamente le condizioni del cavo di alimentazione. Se il cavo di alimentazione è danneggiato, deve essere sostituito da un'officina specializzata per evitare pericoli.

9. Non utilizzare l'apparecchio con un cavo di alimentazione danneggiato o se è stato fatto cadere o danneggiato in altro modo o se non funziona correttamente. Non riparare il dispositivo da soli, poiché esiste il rischio di scosse elettriche. Portare il dispositivo danneggiato in un centro di assistenza adeguato per il controllo o la riparazione. Tutte le riparazioni possono essere eseguite solo da punti di assistenza autorizzati. Le riparazioni eseguite in modo errato possono causare gravi pericoli per l'utente.

10. Collocare il dispositivo su una superficie fresca e stabile, lontano da elettrodomestici da cucina caldi come: fornelli elettrici, bruciatori a gas, ecc.

11. Assicurarsi che nulla blocchi l'entrata e l'uscita dell'aria del dispositivo

12. Utilizzare il dispositivo solo su una superficie piana per evitare la fuoriuscita della condensa

13. Per fornire una protezione aggiuntiva, si consiglia di installare un dispositivo a corrente residua (RCD) nel circuito elettrico con una corrente residua nominale non superiore a 30 mA. Chiedi a un elettricista per questo.

14. Pulire regolarmente il filtro dell'aria. La frequenza della pulizia dipende dalla pulizia dell'aria.

15. Dopo aver spento la macchina, attendere almeno 5 minuti prima di riaccenderla.

16. Non utilizzare il dispositivo in luoghi soleggiati. Quando il dispositivo si surriscalda, la protezione da surriscaldamento attiva il dispositivo.

17. Per garantire un raffreddamento efficace, è necessario mantenere una distanza di almeno 60 cm tra le pareti laterali del dispositivo e la parete, i mobili o le tende.

18. A causa delle prestazioni limitate del dispositivo, se la differenza tra la temperatura target e la temperatura ambiente è troppo elevata, la temperatura target potrebbe non essere raggiunta.

19. Per ridurre il rischio di incendi, scosse elettriche o lesioni durante l'uso del condizionatore d'aria, osservare le seguenti precauzioni di base:

a) Collegare a una presa con messa a terra con 3 pin.

b) Non rimuovere il polo di messa a terra.

c) Non utilizzare l'adattatore.



d) Non utilizzare una prolunga.

e) Scollegare il condizionatore d'aria prima della manutenzione.

f) Utilizzare due o più persone per spostare e installare il condizionatore d'aria.

20. Non utilizzare agenti che accelerano il processo di scongelamento o pulizia diversi da quelli raccomandati dal produttore.

21. Il dispositivo deve essere conservato in una stanza senza fonti di accensione costantemente funzionanti, ad esempio fuoco aperto, apparecchi a gas o stufe elettriche.

#### PRIMA DEL PRIMO UTILIZZO – (foto E)

Collegare i connettori al condotto di scarico dell'aria come segue:

1. Allungare il condotto di scarico dell'aria (9) estraendo le due estremità del condotto.

2. Avvitare il condotto di scarico dell'aria (9) nel connettore del condotto di scarico dell'aria (10).

3. Collegare il connettore del condotto di scarico dell'aria (10) al dispositivo.

#### OSSERVAZIONI:

1. Tenere l'unità ad almeno 1 metro di distanza da TV o radio per evitare interferenze elettromagnetiche.

2. Non esporre l'unità alla luce solare diretta per evitare lo sbiadimento del colore della superficie.

3. Non inclinare l'unità per più di 35° o capovolgerla durante il trasporto. Se il dispositivo è stato capovolto durante il trasporto, riporlo correttamente e attendere 2-4 ore prima di avviarlo.

4. Posizionare l'unità su una superficie piana con un'inclinazione inferiore a 5°.

5. L'unità funziona in modo più efficiente in determinate posizioni della stanza, selezionare la posizione migliore:

- Accanto a una finestra, una porta o una porta-finestra.

- Mantenere la distanza necessaria dall'uscita dell'aria di ripresa alla parete o ad altri ostacoli di almeno 60 cm.

- Estendere il tubo dell'aria per garantire che l'altra estremità del tubo dell'aria abbia spazio tra la porta della finestra, la porta finestra o il foro nel muro.

- L'uscita o l'aspirazione dell'aria non possono essere bloccate da griglia di protezione o da qualsiasi ostacolo.

Per prolungare la durata dell'unità, scaricare l'acqua di condensa dal foro di scarico (8) prima di riporre l'unità in rimessaggio a fine stagione.

#### DESCRIZIONE DEL DISPOSITIVO (foto A e B)

1. Pannello di controllo

2. Uscita aria fredda

3. Ricevitore di segnale

4. Telecomando

5. Maniglia di trasporto

6. Condotto di scarico

7. Ingresso evaporatore

8. Tappo di scarico

9. Condotto di scarico dell'aria

10. Connettore del condotto di scarico dell'aria

11. Adattatore per scarico finestra

#### PANNELLO DI CONTROLLO (foto C)

A. Pulsante di accensione

B. Pulsante di velocità della ventola

C. Pulsante Modalità

D. Pulsante Timer / Aumento temperatura

E. Pulsante Timer / Temperatura giù

F. Indicatore di bassa velocità della ventola

G. Indicatore di alta velocità della ventola

K. Indicatore della modalità di raffreddamento

L. Indicatore modalità deumidifica

M. Indicatore modalità ventola

N. Pulsante timer

R. WF – indicatore acqua piena

S. Temperatura impostata / Display timer

W. Indicatore timer

#### TELECOMANDO – foto D

Il telecomando trasmette i segnali al ricevitore di segnale (3).

Pulsante "A" - l'apparecchio si avvia quando viene alimentato o si arresta quando è in funzione, se si preme questo pulsante.

Pulsante "C" - premerlo per selezionare la modalità di funzionamento: "K", "L" o "M". L'indicatore adatto sarà illuminato.

Pulsante "B" - premerlo per selezionare in sequenza la velocità del ventilatore. L'indicatore adatto sarà illuminato.

Pulsante "D" / "E" - premere per impostare la temperatura desiderata nella stanza o il timer. Il display "S" presenta la temperatura desiderata, non la temperatura presente in ambiente.

Pulsante "N" - premere per impostare l'ora di spegnimento automatico e accensione automatica.

## FUNZIONAMENTO DEL PANNELLO DI CONTROLLO

### FREDDO / SECCO / VENTILATO

1. Accendere il dispositivo.

- a) Collegare il dispositivo, quindi il dispositivo emette un segnale acustico.
- b) Premere il pulsante "A", quindi il dispositivo si accenderà.
- c) Il display a LED indica la temperatura impostata.

2. Scegli la modalità di funzionamento

Premere il pulsante "C" per selezionare la modalità di funzionamento desiderata in sequenza:

Modalità raffreddamento "K" -> Modalità asciugatura "L" -> Modalità ventola "M."

3. Regolare la temperatura

La temperatura può essere impostata in un range 16°-31°C. Premere il pulsante "D" o "E" per aumentare o diminuire la temperatura di 1°C premendo una volta. Il pannello LED del dispositivo mostra la temperatura target per 5 secondi e quindi visualizza la temperatura impostata, non la temperatura presente nella stanza.

Dopo aver impostato la temperatura in modalità di raffreddamento "K", se si seleziona nuovamente la modalità di raffreddamento "K" o la modalità ventola "M", il display LED indica la temperatura target predefinita di 25°C.

4. Regola la velocità della ventola

Premere il pulsante "B" per selezionare una velocità del ventilatore desiderata mostra in sequenza:

Bassa velocità "F" -> Alta velocità G

5. Potere

Quando si preme nuovamente il pulsante "A", il dispositivo emetterà un suono "di" e smetterà di funzionare.

6. Premere questo pulsante "N" per impostare un timer.

Principi di funzionamento delle modalità:

Deumidifica modalità "L":

1. La ventola funzionerà a bassa velocità e la velocità non può essere regolata.

La regolazione della temperatura non è efficace. Il dispositivo regola automaticamente la temperatura impostata a 2°C al di sotto della temperatura ambiente quando si entra in modalità deumidificazione.

2. Quando la temperatura ambiente  $\leq 16^\circ\text{C}$ , non è possibile deumidificare, la ventola funzionerà a bassa velocità.

AVVERTIMENTO:

Quando si utilizza il dispositivo in condizioni di umidità variabile, il tappo di scarico (8) deve essere costantemente aperto e garantire un drenaggio dell'acqua costante. Per un comodo drenaggio dell'acqua utilizzare il tubo incluso nel kit.

Modalità FREDDO "K":

1. Quando la temperatura ambiente è superiore alla temperatura impostata sul pannello di controllo, il compressore inizia a funzionare. Il dispositivo raffredda la stanza.

2. Quando la temperatura ambiente è inferiore alla temperatura impostata sul pannello di controllo, il compressore si arresta e il ventilatore funziona alla velocità impostata originariamente.

Modalità ventola "M".

1. La ventola funziona alla velocità impostata e il compressore non funziona.

2. La regolazione della temperatura non è efficace.

Funzionamento del timer "N":

1. Premere il pulsante "N" per impostare il tempo di spegnimento automatico mentre l'unità è in funzione.

2. Premere il pulsante "N" per impostare l'ora di accensione automatica mentre l'unità è pronta.

3. L'ora può essere regolata in un intervallo da 1 ora a 24 ore premendo il pulsante "D" (+) o "E" (-).

Avviso:

La scheda di controllo principale ha la funzione di memoria, quando il dispositivo è pronto per funzionare ma in stato di arresto, la scheda di controllo principale può memorizzare l'inizializzazione della modalità di lavoro. Quando si accende l'unità, funzionerà come la stessa attuazione della modalità di lavoro dell'ultima volta, non è necessario ripristinare nuovamente la modalità di lavoro.

### TELECOMANDO

1. Far scorrere il coperchio posteriore per aprire e rimuovere la pellicola isolante dalle batterie.

2. Inserire le batterie nel vano con il lato corretto. I poli delle batterie devono corrispondere ai segni "+" e "-" del telecomando.
  3. Per molto tempo inutilizzato, estrarre le batterie.
  4. Per prevenire l'inquinamento ambientale, estrarre le batterie usate e smaltirle in sicurezza e in modo appropriato.
- Per azionare il dispositivo, puntare il telecomando (4) verso il ricevitore del segnale (3). Il telecomando (4) aziona il dispositivo a una distanza di 5 metri quando punta al ricevitore del segnale (3) del dispositivo.

## DISPOSITIVI DI PROTEZIONE

Il dispositivo di protezione può intervenire e arrestare l'apparecchio nei casi di seguito elencati:

1. in modalità raffreddamento: la temperatura dell'aria interna è superiore a 43°C
2. in modalità raffreddamento: la temperatura ambiente è inferiore a 16°C
3. in modalità deumidificazione: la temperatura ambiente è inferiore a 16°C

Se il dispositivo funziona in modalità raffreddamento "K" o deumidificazione "L" con porta o finestra aperta a lungo quando l'umidità relativa è superiore all'80%, potrebbe gocciolare della rugiada dall'uscita.

Il dispositivo di protezione funzionerà nei seguenti casi:

1. Riavviando il dispositivo immediatamente dopo aver interrotto il lavoro o modificato la modalità selezionata durante il lavoro, è necessario attendere 3 minuti.
2. Se la spina è stata rimossa, dopo il riavvio il dispositivo tornerà alla modalità originale, TIMER ON e TIMER OFF - devono essere nuovamente impostati.

NOTA: all'interno di questo dispositivo è nascosto il riciclaggio dell'acqua di condensa. L'acqua di condensazione viene in parte conservata in riciclo tra il condensatore e la piastra ad acqua incorporata. Quando il livello dell'acqua sale al livello superiore, viene sollevato dall'interruttore a galleggiante, quindi (W.F.) l'indicatore di livello dell'acqua pieno "R" si accende per ricordare di scaricare l'acqua. Si prega di interrompere l'alimentazione, spostare l'apparecchio in un luogo adatto, rimuovere il tappo di scarico, scaricare completamente l'acqua. Dopo lo scarico, reinstallare il tappo di scarico (8), altrimenti l'apparecchio potrebbe perdere e bagnare la stanza. Se non viene drenato 5 minuti dopo il W.F. indicazione accesa, il display visualizzerà E4.

Se l'apparecchio è posizionato in una posizione che ammette l'acqua di scarico, è anche possibile collegare il tubo di scarico alla porta di scarico per scaricare l'acqua. Il tubo di scarico viene aggiunto al kit, con diametro interno 9mm, diametro esterno 12mm, materiale: PVC.

## Risoluzione dei problemi

1) Problema: non funziona.

Analisi:

a) forse il dispositivo di protezione è saltato o il fusibile è saltato, attendere 3 minuti e ricominciare, il dispositivo di protezione potrebbe impedire il funzionamento del dispositivo.

c) forse le batterie del telecomando sono scariche.

d) forse la spina non è inserita correttamente.

2) Problema: funziona solo per breve tempo

Analisi:

a) se la temperatura impostata è prossima alla temperatura ambiente, è possibile abbassare la temperatura impostata.

b) forse l'uscita dell'aria è bloccata da un ostacolo. Porta via l'ostacolo.

3) Problema: funziona ma non si raffredda

Analisi:

a) forse la porta o la finestra sono aperte.

b) forse a distanza ravvicinata c'è un altro apparecchio che funziona a caldo come un riscaldatore o una lampada, ecc.

c) il filtro dell'aria è sporco, pulirlo.

d) l'uscita o l'aspirazione dell'aria è bloccata.

f) la temperatura impostata è troppo alta.

4) Problema: perdita d'acqua durante lo spostamento.

Analisi:

a) scaricare la condensa prima dello spostamento.

b) per evitare perdite d'acqua, posizionare il dispositivo su una superficie piana.

5) Problema: non funziona e l'indicatore di riempimento dell'acqua "W.F" è acceso

Analisi:

a) estrarre il tappo di gomma per scaricare l'acqua.

b) se è spesso in questo stato, contattare un tecnico dell'assistenza qualificato.

## Risoluzione dei problemi

6) Problema: il dispositivo non si avvia.

Analisi:

a) forse non collegato. Quindi, collegalo.

- b) forse danni alla spina o alla presa. Sostituire dal fornitore di servizi.  
c) forse il fusibile è rotto. Sostituire il fusibile dal fornitore di servizi (specifica: 3,15 A/250 V CA).  
7) Problema: il dispositivo si arresta automaticamente.

Analisi:

a) spegnimento temporizzato o raggiungimento della temperatura impostata. Riavvia o attendi il cambio automatico.

8) Problema: assenza di aria fredda in modalità COOL "K".

Analisi:

a) la temperatura ambiente è inferiore alla temperatura impostata. È un fenomeno normale, la macchina si accenderà automaticamente mentre la temperatura ambiente è superiore alla temperatura impostata.

b) Il dispositivo entra in protezione antigelo. Il dispositivo passerà automaticamente al termine della protezione antigelo.

9) Guasto: il display a LED indica il codice di errore "E0"

Analisi:

a) Il sensore della temperatura ambiente è guasto o danneggiato. Sostituire il sensore della temperatura ambiente dal fornitore di servizi.

10) Guasto: il display a LED indica il codice di errore "E4"

Analisi:

a) avviso di acqua piena. Scolare l'acqua.

## PULIZIA E MANUTENZIONE

### Manutenzione del dispositivo

1. Spegnere il dispositivo prima di scollegarlo dall'alimentazione.
2. Pulire con un panno morbido e asciutto. Usare acqua tiepida al di sotto dei 40°C per pulire se l'apparecchio è molto sporco.
3. Non utilizzare mai sostanze volatili come benzina o polvere per lucidare per pulire il dispositivo.

### Manutenzione del filtro dell'aria

È necessario pulire il filtro dell'aria ogni 2 settimane se il dispositivo funziona in un ambiente estremamente polveroso. Pulisci come segue:

1. Arrestare prima il dispositivo, spingere verso l'alto il filtro dell'aria (figura F).
2. Pulire e reinstallare il filtro dell'aria.
3. Se lo sporco è cospicuo, lavarlo con una soluzione di detersivo in acqua tiepida. Dopo averlo pulito, asciugarlo in un luogo ombreggiato e fresco, quindi reinstallarlo.

### Manutenzione dopo l'uso stagionale

1. Se il dispositivo non verrà utilizzato per un lungo periodo, assicurarsi di estrarre il tappo di gomma del foro di scarico (8) per scaricare l'acqua.
2. Tenere l'apparecchio in funzione in modalità ventola solo per mezza giornata durante una giornata di sole per asciugare l'interno dell'apparecchio ed evitare che si ammuffisca.
3. Arrestare il dispositivo ed estrarre la spina del cavo di alimentazione, quindi estrarre le batterie del telecomando e conservare il dispositivo correttamente.
4. Pulire il filtro dell'aria e reinstallarlo.
5. Rimuovere i tubi dell'aria e conservarli correttamente, quindi coprire bene il foro.

## DATI TECNICI:

Capacità di raffreddamento a BTU: 9000 BTU / ora

Capacità di raffreddamento in watt: 2600 W

Consumo energetico (raffreddamento) W: 950 W

Volume: <= 64 dB

Portata aria: 270 m<sup>3</sup>/h

Classe energetica: A

Timer: 24 ore

Peso del refrigerante R290: max. 160 grammi

Tensione 220-240V ~50Hz



Attenzione, rischio di incendio.

NON perforare o bruciare.

Tenere presente che il refrigerante potrebbe non contenere odori.

La quantità massima di carica di refrigerante: 160 g.



Prendiamoci cura dell'ambiente naturale. I contenitori in cartone dovrebbero essere portati all'apposito punto di raccolta. I sacchi in polietilene (PE) vanno buttati nel contenitore per la plastica. L'apparecchio fuori uso deve essere rottamato presso un centro di raccolta autorizzato, poiché contiene elementi pericolosi che potrebbero costituire una minaccia per l'ambiente. Il dispositivo elettrico deve essere consegnato in modo da limitare il suo riutilizzo. Se l'apparecchio contiene batterie, è necessario rimuoverle e smaltirle

VAŽNE SIGURNOSNE UPUTE PROČITAJTE UPOZORENJE I SPREMITE SE ZA  
BUDUĆNOST

1. Prije upotrebe uređaja, pročitajte korisnički priručnik i slijedite upute sadržane u njemu. Proizvođač ne odgovara za štetu nastalu upotrebom uređaja suprotno njegovoj predviđenoj namjeni ili nepravilnom radu.
2. Uređaj je namijenjen samo kućnoj uporabi. Ne koristite za druge svrhe koje nisu prema njegovoj predviđenoj namjeni.
3. Uređaj treba spojiti samo na izmjeničnu utičnicu s uzemljenim 220 240V ~ 50Hz. Da bi se povećala operativna sigurnost, više električnih uređaja ne smije istovremeno biti povezano na jedan strujni krug.
4. Budite izuzetno oprezni kada koristite uređaj kada su djeca u blizini. Ne dopustite djeci da se igraju s uređajem, ne dopustite djeci ili osobama koje nisu upoznate s uređajem.
5. **UPOZORENJE:** Ovu opremu mogu koristiti djeca starija od 8 godina i osobe ograničene tjelesne, senzorne ili mentalne sposobnosti, ili ljudi koji nemaju iskustva ili znanje o uređaju, ako se to radi pod nadzorom odgovorne osobe radi njihove sigurnosti ili su im odobreni podaci o sigurnoj upotrebi uređaja i svjesni su opasnosti upotrebe uređaja. Djeca se ne bi trebala igrati s opremom. Čišćenje i održavanje uređaja ne smiju obavljati djeca, osim ako imaju više od 8 godina i ove aktivnosti se izvode pod nadzorom.
6. Uvijek isključite utikač držeći utičnicu rukom nakon uporabe. NE povlačite kabel za napajanje.
7. Ne uranjajte kabel, utikač i cijeli uređaj u vodu ili bilo koju drugu tekućinu. Ne izlažite uređaj atmosferskim uvjetima (kiša, sunce itd...) I ne koristite u uvjetima visoke vlage (kupaonice, vlažne mobilne kućice).
8. Povremeno provjeravajte stanje kabela za napajanje. Ako je mrežni kabel oštećen, zamijenite ga specijaliziranoj servisnoj službi kako biste izbjegli opasnost.
9. Ne koristite uređaj s oštećenim kablom za napajanje ili ako je ispao ili oštećen na bilo koji drugi način ili ako ne radi ispravno. Ne popravljajte uređaj sami jer postoji opasnost od električnog udara. Oštećeni uređaj odnesite u odgovarajući servisni centar radi provjere ili popravka. Sve popravke smiju obavljati samo ovlašteni servisi. Nepravilno izvedeni popravci mogu ozbiljno opasiti za korisnika.
10. Uređaj postavite na hladnu i stabilnu površinu, daleko od vrućih kuhinjskih uređaja kao što su: električni štednjak, plinski plamenik itd...
11. Pazite da ništa ne blokira dovod i izlaz zraka u uređaju
12. Koristite uređaj samo na ravnoj površini kako ne bi došlo do prolijevanja kondenzata
13. Da biste osigurali dodatnu zaštitu, preporučljivo je u električni krug instalirati zaostalu struju (RCD), nazivna zaostala struja koja ne prelazi 30mA. Pitajte za to električara.

14. Redovito čistite filtar za zrak. Učestalost čišćenja ovisi o čistoći zraka.
15. Nakon isključivanja stroja pričekajte najmanje 5 minuta prije nego što ga ponovno uključite.
16. Ne koristite uređaj na sunčanim mjestima. Kad se uređaj pregrijava, uključit će se zaštita od pregrijavanja.
17. Da bi se osiguralo učinkovito hlađenje, treba se držati razmak od najmanje 60 cm između bočnih zidova uređaja i zida, namještaja ili zavjesa.
18. Zbog ograničenih performansi uređaja, ako je razlika između ciljne temperature i temperature okoline prevelika, ciljna temperatura možda neće biti dosegnuta.
19. Da biste smanjili rizik od požara, strujnog udara ili ozljeda kad koristite klima uređaj, pridržavajte se sljedećih osnovnih mjera opreza:
  - a) Spojite na uzemljenu utičnicu s 3 pina.
  - b) Ne uklanjajte uzemljenje.
  - c) Nemojte koristiti adapter.
  - d) Ne koristite produžni kabel.
  - e) Prije servisiranja isključite klima uređaj.
  - f) Koristite dvije ili više osoba za pomicanje i instaliranje klima uređaja.
20. Ne koristite sredstva koja ubrzavaju postupak odmrzavanja ili čišćenja, osim onih koja je preporučio proizvođač.
21. Uređaj treba skladištiti u prostoriji bez stalno aktivnih izvora paljenja, na primjer: otvorene vatre, plinskih uređaja ili električnih grijača.

#### PRIJE PRVE UPORABE - (slika E)

Spojite konektore na odvod zraka na sljedeći način:

1. Produžite kanal za ispuh zraka (9) izvlačeći dva kraja kanala.
2. Uvrnite odvodni kanal (9) u priključak odvodnog kanala (10).
3. Spojite konektor ispušnog kanala za zrak (10) na uređaj.

#### OPASKE:

1. Držite jedinicu najmanje 1 metar od televizora ili radija kako biste izbjegli elektromagnetske smetnje.
  2. Ne izlažite jedinicu izravnom sunčevom svjetlu kako biste izbjegli blijedenje boje površine.
  3. Nemojte naginjati jedinicu za više od 35 ° ili naopako tijekom transporta. Ako se uređaj prevrnuo tijekom transporta, pravilno ga odložite i pričekajte 2-4 sata prije pokretanja.
  4. Postavite jedinicu na ravnu površinu s nagibom manjim od 5 °.
  5. Jedinica radi učinkovitije na određenim lokacijama prostorija, odaberite najbolje mjesto:
    - Pored prozora, vrata ili francuskog prozora.
    - Držite potrebnu udaljenost od otvora za povratni zrak do zida ili drugih prepreka najmanje 60 cm.
    - Produžite crijevo za zrak kako biste osigurali da drugi kraj crijeva za zrak ima zazor između prozorskih vrata, francuskog prozora ili rupe na zidu.
    - Otvor ili ulaz zraka ne mogu biti blokirani zaštitnom rešetkom ili bilo kojom preprekom.
- Kako biste produžili vijek trajanja jedinice, ispuštite kondenziranu vodu iz odvodnog otvora (8) prije nego što uređaj odložite u skladište na kraju sezone.

#### OPIS UREDAJA (slike A i B)

- |                              |                                |
|------------------------------|--------------------------------|
| 1. Upravljačka ploča         | 2. Izlaz hladnog zraka         |
| 3. Prijemnik signala         | 4. Daljinski upravljač         |
| 5. Transportna ručka         | 6. Ispušni kanal               |
| 7. Ulaz isparivača           | 8. Čep za ispuštanje           |
| 9. Odvodni kanal             | 10. Priključak odvodnog kanala |
| 11. Adapter za ispuh prozora |                                |

## UPRAVLJAČKA PLOČA (slika C)

- A. Gumb za uključivanje
- C. Gumb za način rada
- E. Tajmer / tipka za smanjenje temperature
- G. Indikator velike brzine ventilatora
- L. Indikator načina odvlaživanja
- N. Tipka timera
- S. Postavljena temperatura / Prikaz mjerača vremena
- B. Gumb za brzinu ventilatora
- D. Gumb za mjerenje vremena / povećanje temperature
- F. Indikator niske brzine ventilatora
- K. Pokazivač načina rada hlađenja
- M. Pokazivač načina rada ventilatora
- R. WF - indikator pune vode
- W. Indikator mjerača vremena

## DALJINSKI UPRAVLJAČ - slika D

Daljinski upravljač prenosi signale prijemu signala (3).

Gumb "A" - uređaj će se pokrenuti kada je pod naponom ili će se zaustaviti dok radi, ako pritisnete ovaj gumb.

Gumb "C" - pritisnite ga za odabir načina rada: "K", "L" ili "M". Prikladni indikator će zasvijetliti.

Gumb "B" - pritisnite ga za odabir brzine ventilatora u nizu. Prikladni indikator će zasvijetliti.

Tipka "D" / "E" - pritisnite za postavljanje željene temperature u prostoriji ili timera. Zaslom "S" prikazuje željenu temperaturu, a ne trenutnu temperaturu u prostoriji.

Gumb "N" - pritisnite za postavljanje vremena automatskog isključivanja i automatskog uključivanja.

## RAD UPRAVLJAČKE PLOČE

### HLADNO / SUŠNO / VENTILATOR

#### 1. Uključite uređaj.

- a) Prikjučite uređaj, a zatim uređaj jednom pišti.
- b) Pritisnite gumb "A", a zatim će se uređaj uključiti.
- c) LED zaslon prikazuje zadanu temperaturu.

#### 2. Odaberite način rada

Pritisnite gumb "C" za odabir željenog načina rada prema slijedu:

Način hlađenja "K" -> Način sušenja "L" -> Način rada ventilatora "M."

#### 3. Podesite temperaturu

Temperatura se može postaviti u rasponu od 16 ° -31 ° C. Pritisnite tipku "D" ili "E" za povećanje ili smanjenje temperature za 1 ° C jednim pritiskom. LED ploča uređaja prikazuje ciljnu temperaturu 5 sekundi, a zatim prikazuje zadanu temperaturu, a ne trenutnu u prostoriji.

Nakon podešavanja temperature u načinu hlađenja "K", ako ponovno odaberete način hlađenja "K" ili način rada ventilatora "M", tada LED zaslon prikazuje zadanu zadanu temperaturu 25 ° C.

#### 4. Podesite brzinu ventilatora

Pritisnite gumb "B" za odabir željene brzine ventilatora prema slijedu:

Mala brzina "F" -> Velika brzina G

#### 5. Snaga

Kad ponovno pritisnete tipku "A", uređaj će se oglasiti "di" i prestati raditi.

#### 6. Pritisnite ovaj gumb "N" za postavljanje odbrojavanja.

Načini rada načela:

Način odvlaživanja "L":

1. Ventilator će raditi pri malim brzinama, a brzina se ne može podesiti.

Podešavanje temperature nije učinkovito. Uređaj automatski podešava zadanu temperaturu na 2 ° C ispod sobne temperature pri ulasku u način odvlaživanja.

2. Kada se sobna temperatura ≤ 16 ° C ne može odvlažiti, ventilator će raditi pri malim brzinama.

UPOZORENJE:

Prilikom rada uređaja u uvjetima različite vlažnosti, odvodni čep (8) trebao bi biti stalno otvoren i osigurati stalnu odvodnju vode. Za ugodno ispuštanje vode upotrijebite cijev uključenu u komplet.

HLADNI "K" način rada:

1. Kad je sobna temperatura viša od zadane temperature na upravljačkoj ploči, kompresor počinje raditi. Uređaj hladi prostoriju.

2. Kad je sobna temperatura niža od zadane temperature na upravljačkoj ploči, kompresor se zaustavlja i ventilator radi izvornom

zadanom brzinom.

Način rada ventilatora "M".

1. Ventilator radi zadanom brzinom, a kompresor ne radi.
2. Podešavanje temperature nije učinkovito.

Tajmer rad "N":

1. Pritisnite tipku "N" za postavljanje vremena automatskog isključivanja dok jedinica radi.
2. Pritisnite tipku "N" za postavljanje vremena automatskog uključivanja dok je uređaj spreman.
3. Vrijeme se može podešeti u rasponu od 1 sata do 24 sata pritiskom na tipku "D" (+) ili "E" (-).

Obavijest:

Glavna upravljačka ploča ima memorijsku funkciju, kada je uređaj spreman za rad, ali u statusu zaustavljanja, glavna upravljačka ploča može zapamtiti inicijalizaciju radnog načina rada. Kad uključite jedinicu, radić će isto kao i prošli put, nema potrebe za ponovnim postavljanjem načina rada.

#### DALJINSKI UPRAVLJAČ

1. Gurnite stražnji poklopac da biste ga otvorili i skinite izolacijski film s baterija.
  2. Umetnite baterije u odjeljak s ispravnom stranom. Polovi baterija moraju odgovarati znakovima "+" i "-" na daljinskom upravljaču.
  3. Dugo vremena ne koristite, izvadite baterije.
  4. Kako biste spriječili zagađenje okoliša, izvadite iskorištene baterije i odložite ih na odgovarajući način.
- Za upravljanje uređajem usmjerite daljinski upravljač (4) prema prijemniku signala (3). Daljinski upravljač (4) upravljać će uređajem na udaljenosti od 5 metara kada pokazuje prema prijemniku signala (3) uređaja.

#### ZAŠTITNI UREĐAJI

Zaštitni uređaj može se spotaknuti i zaustaviti uređaj u dolje navedenim slučajevima:

1. u načinu hlađenja: temperatura zraka u zatvorenom prostoru je iznad 43 ° C
2. u načinu hlađenja: sobna temperatura je ispod 16 ° C
3. u načinu odvlaživanja: sobna temperatura je ispod 16 ° C

Ako uređaj radi u režimu hlađenja „K“ ili odvlaživanju zraka „L“ s otvorenim vratima ili prozorom duže vrijeme kada je relativna vlažnost zraka veća od 80%, rosa može kapati iz otvora.

Zaštitni uređaj će raditi u sljedećim slučajevima:

1. Ponovno pokretanje uređaja odmah nakon prestanka rada ili promjene odabranog načina rada tijekom rada, morate pričekati 3 minute.
2. Ako je utikač uklonjen, nakon ponovnog pokretanja uređaj će se vratiti u izvorni način rada, TIMER ON i TIMER OFF - moraju se ponovno postaviti.

**NAPOMENA:** u uređaju je skriveno recikliranje kondenzirane vode. Kondenzirana voda djelomično se nastavlja reciklirati između kondenzatora i ugrađene ploče za vodu. Kad se razina vode podigne na gornju razinu, podiže se prekidačem na plovak, a zatim (W.F.) svijetli indikator pune razine vode "R" kako bi vas podsjetio da ispustite vodu. Prekinite napajanje, premjestite aparat na odgovarajuće mjesto, izvadite čep za ispušt, potpuno ispraznite vodu. Nakon ispuštanja, ponovno umetnite odvodni čep (8) ili bi uređaj mogao iscuriti i učiniti vašu sobu mokrom. Ako se ne isprazni 5 minuta nakon W.F. uključena indikacija, na zaslonu će se prikazati E4.

Ako je uređaj postavljen na mjesto koje dopušta ispuštanje vode, također možete spojiti odvodnu cijev na odvodni otvor za ispuštanje vode. Odvodna cijev se dodaje u komplet, s unutarnjim promjerom 9 mm, vanjskim promjerom 12 mm, materijal: PVC.

Rješavanje problema

1) Problem: Ne radi.

Analiza:

a) možda je zaštitni pokvar ili osigurač pregoreo, pričekajte 3 minute i pokrenite ponovo, zaštitni uređaj možda sprječava rad uređaja.

c) možda su se baterije u daljinskom upravljaču ispraznile.

d) možda utikač nije pravilno priključen.

2) Problem: radi samo kratko vrijeme

Analiza:

a) ako je zadana temperatura blizu sobne temperature, možete je smanjiti.

b) možda je prepreka blokirala izlaz zraka. Uklonite prepreku.

3) Problem: Radi, ali ne hladi

Analiza:



- a) možda su vrata ili prozor otvoreni.
  - b) možda se u blizini nalazi neki drugi uređaj koji radi toplinski, poput grijača ili lampe itd.
  - c) filter za zrak je prljav, očistite ga.
  - d) izlaz ili ulaz zraka je blokiran.
  - f) podešena temperatura je previsoka.
- 4) Problem: Curenje vode tijekom kretanja.

Analiza:

- a) ispuštite kondenzat prije pomicanja.
  - b) kako biste izbjegli curenje vode, postavite uređaj na ravno tlo.
- 5) Problem: Ne radite i svijetli indikator napunjenosti vodom „W.F“

Analiza:

- a) izvucite gumeni čep za ispuštanje vode.
- b) ako je često u ovom stanju, obratite se kvalificiranoj tehničkoj službi.

Rješavanje problema

- 6) Problem: Uređaj se ne pokreće.

Analiza:

- a) možda nije priključen. Dakle, uključite ga.
- b) možda oštećenja utikača ili utičnice. Zamijenite kod davatelja usluga.
- c) možda je osigurač pokvaren. Zamijenite osigurač od davatelja usluga (specifikacija: 3,15A/250VAC).

- 7) Problem: Uređaj se automatski zaustavlja.

Analiza:

- a) vrijeme isključivanja ili postignuta zadana temperatura. Ponovo ga pokrenite ili pričekajte automatsko prebacivanje.
- 8) Problem: nema hladnog zraka u načinu rada COOL "K".

Analiza:

- a) sobna temperatura je niža od zadane temperature. To je normalna pojava, stroj će se automatski prebaciti dok je sobna temperatura viša od zadane temperature.

- b) Uređaj ulazi u zaštitu od smrzavanja. Uređaj će se automatski prebaciti nakon završetka zaštite od smrzavanja.

- 9) Problem: LED zaslon prikazuje kôd kvara „E0“

Analiza:

- a) senzor sobne temperature otkáže ili se ošteti. Davatelj usluga zamijenio je osjetnik sobne temperature.

- 10) Problem: LED zaslon prikazuje kôd kvara "E4"

Analiza:

- a) upozorenje o punoj vodi. Ispustite vodu.

## ČIŠĆENJE I ODRŽAVANJE

Održavanje uređaja

1. Prije isključivanja napajanja isključite uređaj.
2. Obrišite mekom i suhom krpom. Koristite mlaku vodu ispod 40 ° C za čišćenje ako je uređaj jako prljav.
3. Za čišćenje uređaja nikada nemojte koristiti hlapljive tvari, poput benzina ili praška za poliranje.

Održavanje filtera za zrak

Filter za zrak potrebno je čistiti svaka 2 tjedna ako uređaj radi u iznimno prašnjavom okruženju. Očistite na sljedeći način:

1. Najprije zaustavite uređaj, gurnite zračni filter prema gore (slika F).
2. Očistite i vratite zračni filter.
3. Ako je prljavština vidljiva, operite je otopinom deterdženta u mlakoj vodi. Nakon čišćenja osušite ga na zasjenjenom i hladnom mjestu, a zatim ga ponovno instalirajte.

Održavanje nakon sezonske uporabe

1. Ako uređaj nećete koristiti dulje vrijeme, svakako izvucite gumeni čep odvodne rupe (8) kako biste ispuštali vodu.
2. Uređaj neka radi s ventilatorom samo pola dana tijekom sunčanog dana kako bi se aparat osušio iznutra i spriječio stvaranje plijesni.
3. Zaustavite uređaj i izvucite utikač kabela za napajanje, zatim izvadite baterije daliinskoo upravljača i pravilno soremite uređaj.
4. Očistite zračni filter i ponovno ga postavite.
5. Skinite crijeva za zrak i pravilno ih spremite te dobro zatvorite rupu.

TEHNIČKI PODACI:

Kapacitet hlađenja na BTU: 9000 BTU / sat

Kapacitet hlađenja u vatima: 2600 W

Potrošnja energije (hlađenje) W: 950 W

Glasnoća: <= 64 dB

Protok zraka: 270 m<sup>3</sup> / h



Energetski razred: A  
Tajmer: 24 sata  
R290 težina rashladne tekućine: max. 160 grama  
Napon 220-240V ~ 50Hz

Oprez, opasnost od požara  
NE bušiti i ne paliti.  
Imajte na umu da rashladno sredstvo ne sadrži neugodan miris.  
Maksimalna količina punjenja rashladnog sredstva: 160g.



Vodimo brigu o prirodnom okolišu. Kartonsku ambalažu molimo prenijeti na otpadni papir. Polietilen (PE) vreće bacati u kontejner za plastiku. Istrošena oprema treba biti premještena na prikladno mjesto za pohranu, jer sadrže u ureadju opasne tvari mogu predstavljati opasnost za okoliš. Električni uređaj mora biti predat u takvom stanju da se smanji mogućnost njegove ponovne upotrebe. Ako vaš uređaj ima baterije, treba njih ukloniti i predati na mjesto za pohranu odvojeno.

## SLOVENŠČINA

### SPLOŠNI VARNOSTNI POGOJI

#### POMEMBNA VARNOSTNA NAVODILA PREVIDNO PREBERITE IN PRIPRAVITE SE ZA PRIHODNOST

1. Pred uporabo naprave preberite navodila za uporabo in sledite navodilom, ki jih vsebuje. Proizvajalec ne odgovarja za škodo, ki jo povzroči uporaba naprave v nasprotju s predvidenim namenom ali nepravilnim delovanjem.
2. Naprava je samo za domačo uporabo. Ne uporabljajte za druge namene, ki niso predvideni.
3. Napravo je treba priključiti na električno vtičnico le z ozemljenim 220 240 V ~ 50Hz. Za povečanje obratovalne varnosti več električnih naprav ne bi smelo biti priključeno na en tokovni tokokrog hkrati.
4. Bodite zelo previdni pri uporabi naprave, ko so otroci v bližini. Ne dovolite otrokom, da se igrajo z napravo, ne dovolite otrokom ali ljudem, ki jih naprava ne pozna, da jo uporabljajo.
5. **OPOZORILO:** To opremo lahko uporabljajo otroci, starejši od 8 let, in osebe z omejenimi telesnimi, senzoričnimi ali duševnimi sposobnostmi ali osebe, ki nimajo izkušenj ali znanja o opremi, če se to izvaja pod nadzorom odgovorne osebe. zaradi varnosti ali so jim bili odobreni podatki o varni uporabi naprave in se zavedajo nevarnosti uporabe. Otroci se ne smejo igrati z opremo. Čiščenja in vzdrževanja naprave ne smejo izvajati otroci, razen če so starejši od 8 let in se te dejavnosti izvajajo pod nadzorom.
6. Vedno odklopite napajalni kabel, tako da po uporabi držite vtičnico z roko. NE vlecite napajalnega kabla.
7. Kabla, vtiča in celotne naprave ne potopite v vodo ali katero koli drugo tekočino. Naprave ne izpostavljajte atmosferskim razmeram (dež, sonce itd...) In ne uporabljajte v pogojih visoke vlažnosti (kopalnice, vlažne mobilne hišice).
8. Občasno preverite stanje napajalnega kabla. Če je napajalni kabel poškodovan, ga zamenjajte s specializirano servisno delavnico, da se izognete nevarnosti.
9. Naprave ne uporabljajte s poškodovanim napajalnim kablom ali če je padel ali poškodovan na kakršen koli drug način ali če ne deluje pravilno. Naprave ne popravljajte sami, saj obstaja nevarnost električnega udara. Poškodovano napravo odnesite v ustrezen servisni center, da preverite ali popravite. Vsa popravila smejo izvajati samo pooblaščenim serviserni. Nepravilno opravljena popravila lahko za

uporabnika resno ogrozijo.

10. Napravo postavite na hladno in stabilno površino, stran od vročih kuhinjskih aparatov, kot so: električni štedilnik, plinski gorilnik itd...

11. Prepričajte se, da nič ne blokira dovoda in izstopa zraka v napravi

12. Napravo uporabljajte samo na ravni površini, da preprečite razlitje kondenzata

13. Za dodatno zaščito je priporočljivo v električni tokokrog vgraditi napravo za preostali tok (RCD) z nazivno preostalo vrednostjo, ki ne presega 30 mA. Za to vprašajte električarja.

14. Zračni filter redno čistite. Pogostost čiščenja je odvisna od čistoče zraka.

15. Po izklopu stroja počakajte vsaj 5 minut, preden ga ponovno vklopite.

16. Naprave ne uporabljajte na sončnih mestih. Ko se naprava pregreje, se vklopi zaščita pred pregrevanjem.

17. Za zagotovitev učinkovitega hlajenja je treba med stranskimi stenami naprave in steno ali pohištvom ali zavesami držati vsaj 60 cm razdalje.

18. Če je razlika med ciljno temperaturo in temperaturo okolice zaradi omejene zmogljivosti naprave prevelika, ciljne temperature morda ne bo mogoče doseči.

19. Če želite zmanjšati tveganje požara, električnega udara ali poškodb pri uporabi klimatske naprave, upoštevajte naslednje osnovne previdnostne ukrepe:

a) Priključite na ozemljeno vtičnico s tremi zatiči.

b) Ne odstranjujte ozemljitvenega droga.

c) Ne uporabljajte adapterja.

d) Ne uporabljajte podaljševalnega kabla.

e) klimatsko napravo pred servisiranjem izključite.

f) Za premikanje in namestitvev klimatske naprave uporabite dve ali več oseb.

20. Ne uporabljajte sredstev, ki pospešujejo postopek odtaljevanja ali čiščenja, razen tistih, ki jih priporoča proizvajalec.

21. Napravo je treba hraniti v prostoru brez stalno delujočih virov vžiga, na primer: odprtega ognja, plinskih naprav ali električnih grelnikov.

PRED PRVO UPORABO - (slika E)

Priključke priključite na odvod zraka na naslednji način:

1. Podaljšajte odvod zraka (9) tako, da izvlečete oba konca kanala.

2. Vijak za odvod zraka (9) privijte v priključek kanala za odvod zraka (10).

3. Priključite konektor izpušnega kanala za zrak (10) na napravo.

OPOMBE:

1. Enoto hranite vsaj 1 meter stran od televizije ali radia, da se izognete elektromagnetnim motnjam.

2. Enote ne izpostavljajte neposredni sončni svetlobi, da se izognete zbleditvi barve površine.

3. Enote med transportom ne nagibajte za več kot 35 ° ali na glavo. Če je bila naprava med transportom obrnjena, jo pravilno odložite in počakajte 2-4 ure, preden jo zaženete.

4. Enoto postavite na ravno površino z nagibom manj kot 5 °.

5. Enota deluje učinkoviteje na določenih lokacijah prostorov, izberite najboljšo lokacijo:

- Poleg okna, vrat ali francoskega okna.

- Naj bo zahtevana razdalja od izhoda povratnega zraka do stene ali drugih ovir najmanj 60 cm.

- Raztegnite zračno cev, da zagotovite, da ima drugi konec zračne cevi zračnost med okenskimi vrati ali francoskim oknom ali stensko luknjo.

- Zaščitne rešetke ali kakršne koli ovire ne morete blokirati odvoda ali vstopa zraka.

Za podaljšanje življenjske dobe enote izpustite kondenzirano vodo iz odtočne luknje (8), preden enoto po koncu sezone odložite v skladišče.

#### OPIS NAPRAVE (sliki A in B)

- |                           |                                |
|---------------------------|--------------------------------|
| 1. Nadzorna plošča        | 2. Odvod hladnega zraka        |
| 3. Sprejemnik signala     | 4. Daljinski upravljalnik      |
| 5. Transportni ročaj      | 6. Izpušni kanal               |
| 7. Dovod uparjalnika      | 8. Odtočni čep                 |
| 9. Odvodni kanal          | 10. Prikluček odvodnega kanala |
| 11. Adapter za izpuh oken |                                |

#### NADZORNA PLOŠČA (slika C)

- |   |  |
|---|--|
| A. Gumb za vklop                              | B. Gumb za hitrost ventilatorja          |
| C. Gumb za način                              | D. Gumb za merjenje časa / temperature   |
| E. Časovnik / tipka za znižanje temperature   | F. Indikator nizke hitrosti ventilatorja |
| G. Indikator visoke hitrosti ventilatorja     | K. Indikator načina hlajenja             |
| L. Indikator načina razvlaževanja             | M. Indikator načina ventilatorja         |
| N. Časovna tipka                              | R. WF - indikator polne vode             |
| S. Nastavljena temperatura / prikaz časovnika | W. Indikator časovnika                   |

#### DALJINSKI UPRAVLJAJČ - slika D

Daljinski upravljalnik oddaja signale sprejemniku signala (3).

Gumb "A" - naprava se bo vklopila, ko je pod napetostjo, ali pa se bo zaustavila, ko bo delovala, če pritisnete ta gumb.

Gumb "C" - pritisnite ga, da izberete način delovanja: "K", "L" ali "M". Ustrezen indikator bo zasvetil.

Gumb "B" - pritisnite ga, da zaporedno izberete hitrost ventilatorja. Ustrezen indikator bo zasvetil.

Gumb "D" / "E" - pritisnite, da nastavite zeleno temperaturo v prostoru ali časovniku. Prikazovalnik "S" prikazuje zeleno temperaturo, ni trenutne temperature v prostoru.

Gumb "N" - pritisnite, da nastavite čas samodejnega izklopa in samodejnega vklopa.

#### DELOVANJE NADZORNE PLOŠČE

##### HLADNO / SUHO / VENTILATOR

1. Vklonite napravo.

- Priključite napravo in nato naprava enkrat zapiska.
- Pritisnite gumb "A", nato se bo naprava vklopila.
- LED zaslon prikazuje nastavljeno temperaturo.

2. Izberite način delovanja

Pritisnite gumb "C", da izberete zeleni način delovanja po zaporedju:

Način hlajenja "K" -> način sušenja "L" -> način ventilatorja "M."

3. Prilagodite temperaturo

Temperaturo lahko nastavite v območju 16 ° -31 ° C. Pritisnite gumb »D« ali »E«, da z enim pritiskom povečate ali znižate temperaturo za 1 ° C. LED plošča naprave prikazuje ciljno temperaturo 5 sekund, nato pa prikaže nastavljeno temperaturo, ki ni prisotna v prostoru.

Po nastavitvi temperature v načinu hlajenja "K", če znova izberete način hlajenja "K" ali način ventilatorja "M", LED zaslon prikaže privzeto ciljno temperaturo 25 ° C.

4. Prilagodite hitrost ventilatorja

Pritisnite gumb "B", da izberete zeleno hitrost ventilatorja, prikazano po zaporedju:

Nizka hitrost "F" -> Visoka hitrost G

5. Moč

Ko znova pritisnete gumb "A", se naprava oglasi "di" in preneha delovati.

6. Pritisnite ta gumb "N", da nastavite časovnik.

Načela delovanja:

Način razvlaževanja "L":

- Ventilator deluje pri nizki hitrosti in hitrosti ni mogoče nastaviti.

Prilagoditev temperature ni učinkovita. Naprava samodejno nastavi nastavljeno temperaturo na 2 ° C pod sobno temperaturo, ko vstopi v način razvlaževanja.

2. Ko sobne temperature  $\leq 16$  ° C mogoče razvlažiti, bo ventilator deloval pri nizki hitrosti.

#### OPOZORILO:

Ko napravo uporabljate v pogojih različne vlažnosti, mora biti odtočni čep (8) nenehno odprt in zagotoviti stalen odtok vode. Za udobno odvajanje vode uporabite cev v kompletu.

#### HLADNI način "K":

1. Ko je sobna temperatura višja od nastavljene temperature na nadzorni plošči, začne delovati kompresor. Naprava hladi prostor.
2. Ko je sobna temperatura nižja od nastavljene temperature na nadzorni plošči, se kompresor ustavi in ventilator deluje s prvotno nastavljeno hitrostjo.

#### Način ventilatorja "M".

1. Ventilator deluje pri nastavljeni hitrosti, kompresor pa ne deluje.
2. Prilagoditev temperature ni učinkovita.

#### Delovanje časovnika "N":

1. Pritisnite gumb "N", da nastavite čas samodejnega izklopa, medtem ko naprava deluje.
2. Pritisnite tipko "N", da nastavite čas samodejnega vklopa, ko je naprava pripravljena.
3. Čas lahko nastavite v razponu od 1 ure do 24 ur s pritiskom na gumb "D" (+) ali "E" (-).

#### Opaziti:

Glavna krmilna plošča ima pomnilniško funkcijo, ko je naprava pripravljena za delovanje, vendar v stanju ustavitve, si lahko glavna nadzorna plošča zapomni inicializacijo delovnega načina. Ko vklopite enoto, bo delovala enako kot zadnjič, zato ni treba znova ponastaviti delovnega načina.

#### DALJINEC

1. Potisnite zadnji pokrov, da se odpre, in odstranite izolacijsko folijo z baterij.
2. Vstavite baterije v predal s pravilno stranjo. Polovi baterij se morajo ujemati z znaki "+" in "-" na daljinskem upravljalniku.
3. Dolgo časa ne uporabljajte baterij.
4. Za preprečitev onesnaževanja okolja odstranite izrabljene baterije in jih ustrezno in ustrezno odstranite.

Za upravljanje naprave usmerite daljinski upravljalnik (4) proti sprejemniku signala (3). Daljinski upravljalnik (4) bo upravljal napravo na razdalji 5 metrov, ko bo usmerjen proti sprejemniku signala (3) naprave.

#### ZAŠČITNE NAPRAVE

Zaščitna naprava se lahko sproži in ustavi v naslednjih primerih:

1. v načinu hlajenja: temperatura zraka v zaprtih prostorih je nad 43 ° C
2. v načinu hlajenja: sobna temperatura je pod 16 ° C
3. pri razvlaževanju: sobna temperatura je pod 16 ° C

Če naprava deluje v načinu hlajenja "K" ali razvlaževanja "L" z dolgo odprtimi vrati ali oknom, ko je relativna vlaga nad 80%, lahko iz izvoda kaplja rosa.

Zaščitna naprava bo delovala v naslednjih primerih:

1. Po ponovnem zagonu naprave takoj po prekinitvi dela ali spreminjanju izbranega načina med delom morate počakati 3 minute.
2. Če je bil vtič odstranjen, se mora naprava po ponovnem zagonu vrniti v prvotni način, TIMER ON in TIMER OFF - znova nastavite.

OPOMBA: v napravi je skrito recikliranje kondenzirane vode. Kondenzacijska voda se delno reciklira med kondenzatorjem in vgrajeno vodno ploščo. Ko se nivo vode dvigne na zgornjo raven, ga dvigne plavajoče stikalo, nato pa (W.F.) zasveti indikator polne ravni vode "R", ki vas opomni, da morate odcediti vodo. Prekinite napajanje, napravo premaknite na ustrezno mesto, odstranite odtočni čep, popolnoma izpraznite vodo. Po odtoku ponovno namestite odtočni čep (8), sicer lahko naprava pušča in zmoči vašo sobo. Če se ne izprazni 5 minut po W.F. Če je indikator vklopljen, se na zaslonu prikaže E4.

Če je naprava postavljena v položaj, ki dopušča odtok vode, lahko tudi odtočno cev priključite na odtočno odprtino, da odteče voda. V komplet je dodana odtočna cev z notranjim premerom 9 mm, zunanjim premerom 12 mm, material: PVC.

#### Odpravljanje težav

1) Težava: Ne delajete.

Analiza:

a) morda je pregorelo zaščitno stikalo ali varovalka, počakajte 3 minute in zaženite znova, zaščitna naprava morda preprečuje

delovanje naprave.

- c) morda so baterije v daljinskem upravljalniku izpraznjene.
- d) morda vtič ni pravilno priključen.

2) Težave: deluje le kratek čas

Analiza:

- a) če je nastavljena temperatura blizu sobne temperature, jo lahko znižate.
- b) morda je ovira blokirala odvod zraka. Odstranite oviro.

3) Težave: deluje, vendar ne hladi

Analiza:

- a) morda so vrata ali okno odprta.
  - b) morda je v neposredni bližini druga naprava, ki toplotno deluje, na primer grelec ali svetilka itd.
  - c) zračni filter je umazan, očistite ga.
  - d) je odvod ali dovod zraka blokiran.
  - f) nastavljena temperatura je previsoka.
- 4) Težava: Puščanje vode med. premikanjem.

Analiza:

- a) pred premikanjem izpraznite kondenzat.
  - b) da se izognete uhajanju vode, napravo postavite na ravno podlago.
- 5) Težava: Ne delajte in sveti indikator polnosti vode »W.F.«

Analiza:

- a) izvlecite gumijasti čep za odtekanje vode.
- b) če je pogosto v tem stanju, se obrnite na usposobljeno tehnično službo.

Odpravljanje težav

6) Težava: naprava se ne zažene.

Analiza:

- a) morda ni priključen. Torej, priključite ga.
- b) morda poškodovan vtič ali vtičnica. Zamenjajte pri ponudniku storitev.
- c) morda je varovalka pokvarjena. Zamenjajte varovalko pri ponudniku storitev (specifikacija: 3,15A/250VAC).

7) Težava: Naprava se samodejno ustavi.

Analiza:

- a) čas izklopa ali dosežena nastavljena temperatura. Znova zaženite ali počakajte na samodejno preklapljanje.
- 8) Težava: v načinu COOL "K" ni hladnega zraka.

Analiza:

- a) sobna temperatura je nižja od nastavitvene temperature. To je običajen pojav, stroj se samodejno preklopi, medtem ko je sobna temperatura višja od nastavitvene temperature.
- b) Naprava vstopi v zaščito proti zmrzovanju. Naprava se bo samodejno preklapila, ko bo zaščita proti zmrzovanju končana.

9) Težava: LED zaslon prikazuje kodo napake "E0"

Analiza:

- a) senzor sobne temperature odpove ali se poškoduje. Senzor sobne temperature zamenjajte pri ponudniku storitev.
- 10) Težava: LED zaslon prikazuje kodo napake "E4"

Analiza:

- a) opozorilo o polni vodi. Odcedite vodo.

## ČIŠČENJE IN VZDRŽEVANJE

Vzdrževanje naprave

1. Pred izklopom napajanja najprej izklopite napravo.
2. Obrišite z mehko in suho krpo. Če je naprava zelo umazana, uporabite mlačno vodo pod 40 ° C.
3. Za čiščenje naprave nikoli ne uporabljajte hlapnih snovi, kot sta bencin ali polirni prašek.

Vzdrževanje zračnega filtra

Zračni filter je treba čistiti vsaka 2 tedna, če naprava deluje v zelo prašnem okolju. Očistite na naslednji način:

1. Najprej ustavite napravo, potisnite zračni filter navzgor (slika F).
2. Očistite in znova namestite zračni filter.
3. Če je umazanija vidna, jo operite z raztopino detergenta v mlačni vodi. Po čiščenju ga posušite na zasenčenem in hladnem mestu, nato pa ga znova namestite.

Vzdrževanje po sezonski uporabi

1. Če naprave ne boste uporabljali dlje časa, obvezno izvlecite gumijasti čep izpustne odprtine (8), da odtečete vodo.
2. Aparat pustite delovati z ventilatorskim načinom le pol dneva v sončnem dnevu, da se aparat posuši v notranjosti in prepreči plesni.
3. Ustavite napravo in izvlecite vtič napajalnega kabla, nato odstranite baterije daljinskega upravljalnika in napravo pravilno shranite.

- Očistíte zrační filter in ga znova namestíte.
- Odstraníte zračne cevi in jih pravilno shranite ter luknjo tesno pokrijte.

#### TEHNIČNI PODATKI:

Hladilna zmogljivost pri BTU: 9000 BTU / uro  
Hladilna moč v vatih: 2600 W  
Poraba energije (hlajenje) W: 950 W  
Glasnost: ≤ 64 dB  
Pretok zraka: 270 m<sup>3</sup> / h  
Energjski razred: A  
Časovnik: 24 ur  
Teža hladilne tekočine R290: max. 160 gramov  
Napetost 220-240V ~ 50Hz



Pozor, nevarnost požara  
NE prebijajte in ne gorijte.  
Bodite pozorni, da hladilno sredstvo morda ne vsebuje vonja.  
Najvišja količina hladilnega sredstva: 160 g.



Starostljivost' o životné prostredie. Kartónový obal odovzdajte do zberných surovín. Polyetylénové vrecká (PE) vyhodte do kontajnera na plast. Opatrený spotrebič odovzdajte na príslušný zberný dvor, nebezpečné látky spotrebiča môžu predstavovať riziko pre životné prostredie. Elektrosprebič odstráňte tak, aby nedochádzalo k jeho ďalšiemu použitiu. Ak sa v spotrebiči nachádzajú batérie, vyberte ich a odovzdajte ich na zberné miesto osobitne. Spotrebič nevyhadzujte do kontajnera na komunálny odpad!

## ČESKY

### OBEČNÉ BEZPEČNOSTNÍ PODMÍNKY

**DŮLEŽITÉ BEZPEČNOSTNÍ POKYNY PŘEČTĚTE SI** opatrně a uložte je pro budoucnost

- Před použitím zařízení si přečtěte návod k obsluze a postupujte podle pokynů v něm obsažených. Výrobce neodpovídá za škody způsobené používáním zařízení v rozporu s jeho určeným účelem nebo nesprávným provozem.
- Zařízení je určeno pouze pro domácí použití. Nepoužívejte k jiným účelům, než k zamýšlenému účelu.
- Zařízení by mělo být připojeno pouze k síťové zásuvce s uzemněným 220 240 V ~ 50 Hz. Pro zvýšení provozní bezpečnosti by nemělo být současně připojeno více elektrických zařízení na jeden proudový obvod.
- Při používání zařízení v blízkosti dětí buďte velmi opatrní. Nedovolte dětem, aby si se zařízením hrály, nedovolte dětem nebo osobám neznámým se zařízením, aby jej používaly.
- VAROVÁNÍ:** Toto zařízení mohou používat děti starší 8 let a lidé s omezenými fyzickými, smyslovými nebo mentálními schopnostmi nebo lidé, kteří nemají žádné zkušenosti nebo znalosti o vybavení, pokud se tak děje pod dohledem odpovědné osoby. z důvodu jejich bezpečnosti nebo jim byly poskytnuty informace o bezpečném používání zařízení a jsou si vědomy nebezpečí jeho používání. Děti by si s tímto zařízením neměly hrát. Čištění a údržbu zařízení by neměly provádět děti, pokud nejsou starší 8 let a tyto činnosti jsou prováděny pod dohledem.
- Po použití vždy odpojte napájecí zástrčku tak, že budete držet zásuvku rukou. **NEDOTÝKEJTE** se napájecího kabelu.
- Kabel, zástrčku a celé zařízení neponořujte do vody ani jiné kapaliny. Nevystavujte zařízení povětrnostním vlivům (déšť, slunce atd.) Ani je nepoužívejte v podmínkách vysoké vlhkosti (koupelny, vlhké mobilní domy).
- Pravidelně kontrolujte stav napájecího kabelu. Pokud je napájecí kabel poškozen, měl

by být vyměněn v odborném servisu, aby nedošlo k nebezpečí.

9. Nepoužívejte spotřebič s poškozeným napájecím kabelem nebo pokud spadl nebo je poškozen jiným způsobem nebo pokud nefunguje správně. Neopravujte zařízení sami, mohlo by dojít k úrazu elektrickým proudem. Poškozené zařízení odnesete do příslušného servisního střediska ke kontrole nebo opravě. Veškeré opravy smí provádět pouze autorizovaný servis. Nesprávně provedené opravy mohou pro uživatele představovat vážné nebezpečí.

10. Umístěte zařízení na chladný, stabilní povrch, mimo horké kuchyňské spotřebiče, jako jsou: elektrický sporák, plynový hořák atd.

11. Ujistěte se, že nic neblokuje přívod a odvod vzduchu ze zařízení

12. Používejte zařízení pouze na rovném povrchu, aby se zabránilo úniku kondenzátu

13. Pro zajištění dodatečné ochrany je vhodné do elektrického obvodu nainstalovat zařízení na proudový chránič (RCD) s jmenovitým zbytkovým proudem nepřesahujícím 30 mA. Požádejte o to elektrikáře.

14. Pravidelně čistěte vzduchový filtr. Četnost čištění závisí na čistotě vzduchu.

15. Po vypnutí zařízení vyčkejte alespoň 5 minut, než jej znovu zapnete.

16. Nepoužívejte zařízení na slunných místech. Když se zařízení přehřeje, zapne se ochrana proti přehřátí.

17. Pro zajištění účinného chlazení by měla být mezi bočními stěnami zařízení a stěnou nebo nábytkem nebo závěsy dodržena vzdálenost nejméně 60 cm.

18. Vzhledem k omezenému výkonu zařízení, pokud je rozdíl mezi cílovou teplotou a okolní teplotou příliš velký, nemusí být cílové teploty dosaženo.

19. Abyste snížili riziko požáru, úrazu elektrickým proudem nebo zranění při používání klimatizace, dodržujte následující základní opatření:

a) Připojte k uzemněné zásuvce pomocí 3 pinů.

b) Neodstraňujte uzemňovací kolík.

c) Nepoužívejte adaptér.

d) Nepoužívejte prodlužovací kabel.

e) Před údržbou odpojte klimatizaci.

f) K přemístování a instalaci klimatizace použijte dvě nebo více osob.

20. Nepoužívejte prostředky, které urychlují proces odmrazování nebo čištění, než ty, které doporučuje výrobce.

21. Zařízení by mělo být skladováno v místnosti bez stálých provozních zdrojů zapálení, například: otevřený oheň, plynové spotřebiče nebo elektrické ohříváče.

#### PŘED PRVNÍM POUŽITÍM - (obrázek E)

Připojte konektory k potrubí pro odvod vzduchu následujícím způsobem:

1. Prodlužte potrubí pro odvod vzduchu (9) vytažením obou konců potrubí.

2. Zašroubujte potrubí pro odvod vzduchu (9) do konektoru potrubí pro odvod vzduchu (10).

3. Připojte konektor výfukového potrubí (10) k zařízení.

#### POZNÁMKY:

1. Udržujte jednotku alespoň 1 metr od televize nebo rádia, aby nedošlo k elektromagnetickému rušení.

2. Nevystavujte jednotku přímému slunečnímu světlu, aby nedošlo k vyblednutí barvy povrchu.



3. Při přepravě nenaklánějte jednotku o více než 35 ° nebo vzhůru nohama. Pokud bylo zařízení během přepravy převráceno, položte jej správně a počkejte 2–4 hodiny, než jej spustíte.

4. Umístěte jednotku na rovný povrch se sklonem menším než 5 °.

5. Jednotka pracuje efektivněji v určitých místnostech, vyberte nejlepší umístění:

- Vedle okna, dveří nebo francouzského okna.

- Udržujte požadovanou vzdálenost od výstupu zpětného vzduchu ke zdi nebo jiným překážkám alespoň 60 cm.

- Prodlužte vzduchovou hadici, abyste zajistili, že na druhém konci vzduchové hadice bude volný prostor mezi dvěma okna, francouzským oknem nebo otvorem ve zdi.

- Výstup nebo sání vzduchu nelze zablokovat ochrannou mřížkou ani žádnou překážkou.

Chcete-li prodloužit životnost jednotky, vypusťte zkondenzovanou vodu z vypouštěcího otvoru (8), než ji na konci sezóny uložíte do skladu.

#### POPIS ZAŘÍZENÍ (obrázky A a B)

- |                              |  |
|------------------------------|--|
| 1. Ovládací panel            | 2. Výstup studeného vzduchu            |
| 3. Signální přijímač         | 4. Dálkový ovladač                     |
| 5. Převrácení rukojeť        | 6. Výfukové potrubí                    |
| 7. Vstup výparníku           | 8. Vypouštěcí zátka                    |
| 9. Potrubí pro odvod vzduchu | 10. Konektor potrubí pro odvod vzduchu |
| 11. Adaptér výfuku okna      |  |

#### OVLÁDACÍ PANEL (obrázek C)

- |   |  |
|---|--|
| A. Tlačítko napájení                      | B. Tlačítko rychlosti ventilátoru        |
| C. Tlačítko režimu                        | D. Tlačítko časovače / zvýšení teploty   |
| E. Tlačítko časovače / snížení teploty    | F. Indikátor nízké rychlosti ventilátoru |
| G. Indikátor vysoké rychlosti ventilátoru | K. Indikátor režimu chlazení             |
| L. Indikátor režimu odvlhčování           | M. Indikátor režimu ventilátoru          |
| N. Tlačítko časovače                      | R. WF - indikátor plné vody              |
| S. Nastavení teploty / Zobrazení časovače | W. Indikátor časovače                    |

#### DÁLKOVÝ OVLADAČ - obrázek D

Dálkový ovladač vysílá signály do přijímače signálu (3).

Tlačítko „A“ - spotřebič se spustí, když je pod napětím, nebo se zastaví, když je v provozu, pokud stisknete toto tlačítko.

Tlačítko „C“ - stisknutím vyberte provozní režim: „K“, „L“ nebo „M“. Rozsvítí se vhodný indikátor.

Tlačítko „B“ - stisknutím postupně zvolíte otáčky ventilátoru. Rozsvítí se vhodný indikátor.

Tlačítko „D“ / „E“ - stisknutím nastavíte požadovanou teplotu v místnosti nebo časovač. Displej „S“ zobrazuje požadovanou teplotu, nikoli aktuální teplotu v místnosti.

Tlačítko „N“ - stisknutím nastavíte čas automatického vypnutí a automatického zapnutí.

#### OVLÁDÁNÍ OVLÁDACÍHO PANELU CHLAZENÍ / SUŠENÍ / VENTILÁTOR

1. Zapněte zařízení.

a) Připojte zařízení a poté zařízení jednou pípne.

b) Stiskněte tlačítko „A“, poté se zařízení zapne.

c) LED displej ukazuje nastavenou teplotu.

2. Zvolte provozní režim

Stisknutím tlačítka „C“ vyberte požadovaný provozní režim podle pořadí:

Režim chlazení „K“ -> Režim sušení „L“ -> Režim ventilátoru „M.“

3. Upravte teplotu

Teplotu lze nastavit v rozsahu 16 ° -31 ° C. Jedním stisknutím tlačítka „D“ nebo „E“ zvýšíte nebo snížíte teplotu o 1 ° C. Panel LED zařízení zobrazuje cílovou teplotu po dobu 5 sekund a poté zobrazuje nastavenou teplotu, nikoli aktuální teplotu v místnosti.

Po nastavení teploty v režimu chlazení „K“, pokud znovu zvolíte režim chlazení „K“ nebo režim ventilátoru „M“, LED displej zobrazí výchozí cílovou teplotu 25 ° C.

4. Upravte rychlost ventilátoru

Stisknutím tlačítka „B“ vyberte požadovanou rychlost ventilátoru zobrazenou postupně:

Nízká rychlost „F“ -> Vysoká rychlost G

5. Napájení

Když znovu stisknete tlačítko „A“, zařízení zní „di“ a přestane fungovat.

6. Stisknutím tohoto tlačítka „N“ nastavíte časovač.

Pracovní principy režimů:

Režim odvlhčení „L“:

1. Ventilátor poběží nízkou rychlostí a rychlost nelze nastavit.

Nastavení teploty není účinné. Při vstupu do režimu odvlhčování zařízení automaticky upraví nastavenou teplotu o 2 ° C pod pokojovou teplotu.

2. Když pokojovou teplotu  $\leq 16$  ° C nelze odvlhčit, ventilátor poběží na nízkou rychlost.

VAROVÁNÍ:

Při provozu zařízení v podmínkách různé vlhkosti by měla být vypouštěcí zátka (8) neustále otevřená a měla by zajišťovat stálý odtok vody. Pro pohodlné vypouštění vody použijte trubku, která je součástí sady.

COOL režim „K“:

1. Když je pokojová teplota vyšší než teplota nastavená na ovládacím panelu, kompresor začne běžet. Zařízení chladí místnost.

2. Když je pokojová teplota nižší než teplota nastavená na ovládacím panelu, kompresor se zastaví a ventilátor pracuje s původní nastavenou rychlostí.

Režim ventilátoru „M“:

1. Ventilátor běží nastavenou rychlostí a kompresor neběží.

2. Nastavení teploty není účinné.

Provoz časovače "N":

1. Stisknutím tlačítka „N“ nastavíte čas automatického vypnutí, když je jednotka v provozu.

2. Stisknutím tlačítka „N“ nastavíte čas automatického zapnutí, když je jednotka připravena.

3. Čas lze upravit v rozmezí od 1 hodiny do 24 hodin stisknutím tlačítka „D“ (+) nebo „E“ (-).

Oznámení:

Hlavní řídicí deska má paměťovou funkci, když je zařízení připraveno ke spuštění, ale ve stavu zastavení, hlavní řídicí deska si může zapamatovat inicializaci pracovního režimu. Když jednotku zapnete, bude fungovat stejně jako v minulém režimu, není třeba pracovní režim znovu resetovat.

DÁLKOVÝ OVLADAČ

1. Posunutím zadního krytu otevřete a sejměte izolační fólii z baterií.

2. Vložte baterie do přihrádky správnou stranou. Póly baterií se musí shodovat se značkami „+“ a „-“ na dálkovém ovladači.

3. Dlouho nepoužíváte, vyjměte baterie.

4. Abyste zabránili znečištění životního prostředí, vyjměte použité baterie a zlikvidujte je vhodným způsobem.

Chcete-li zařízení ovládat, namiřte dálkový ovladač (4) na přijímač signálu (3). Dálkový ovladač (4) bude ovládat zařízení na vzdálenost 5 metrů, když ukazuje na signálový receptor (3) zařízení.

OCHRANNÁ ZAŘÍZENÍ

Ochranné zařízení může vypnout a zastavit spotřebič v následujících případech:

1. v režimu chlazení: teplota vzduchu v místnosti je přes 43 ° C

2. v režimu chlazení: pokojová teplota je nižší než 16 ° C

3. v režimu odvlhčování: pokojová teplota je nižší než 16 ° C

Pokud zařízení běží v režimu chlazení „K“ nebo odvlhčuje režim „L“ s otevřenými dveřmi nebo okny po dlouhou dobu, když je relativní vlhkost vyšší než 80%, může z výstupu kapat rosa.

Ochranné zařízení bude fungovat v následujících případech:

1. Restartování zařízení ihned po ukončení práce nebo změně zvoleného režimu během práce musíte počkat 3 minuty.

2. Pokud byla zástrčka odstraněna, po restartu se zařízení vrátí do původního režimu, TIMER ON a TIMER OFF - je nutné znovu nastavit.

UPOZORNĚNÍ: V tomto zařízení je skryta recyklace kondenzační vody. Kondenzační voda je částečně udržována v recyklaci mezi kondenzátorem a vestavěnou vodní deskou. Když hladina vody stoupne na horní úroveň, zvýší se pomocí plovákového spínače, poté se (W.F.) rozsvítí indikátor plné hladiny „R“, který vám připomene vypouštění vody. Přerušte prosím napájení, přemístěte spotřebič na vhodné místo, vytáhněte vypouštěcí zátka a úplně vypusťte vodu. Po vypouštění znovu nainstalujte vypouštěcí zátka (8), jinak může dojít k úniku zařízení a zvlhčení místnosti. Pokud není vypuštěn 5 minut po W.F. indikace zapnuta, na displeji se zobrazí E4.

Pokud je spotřebič umístěn v poloze připouštějící odtokovou vodu, můžete také připojit odtokovou trubku k odtokovému otvoru a vypustit vodu. Do soupravy je přidána odtoková trubka s vnitřním průměrem 9 mm, vnějším průměrem 12 mm, materiál: PVC.

#### Odstraňování problémů

1) Problém: Nepracuje.

##### Analýza:

a) je možné, že dojde k přepnutí ochranného krytu nebo pojistky, počkejte prosím 3 minuty a spusťte znovu, ochranné zařízení může bránit zařízení v činnosti.

c) baterie v dálkovém ovladači jsou pravděpodobně vybité.

d) Možná není zástrčka správně zapojena.

2) Problém: funguje pouze krátkodobě

##### Analýza:

a) pokud se nastavená teplota blíží pokojové teplotě, můžete nastavenou teplotu snížit.

b) Možná je výstup vzduchu zablokován překážkou. Odneste překážku.

3) Problém: Funguje, ale ne chladne

##### Analýza:

a) možná jsou dveře nebo okno otevřené.

b) možná v těsné blízkosti je jiný tepelně pracující spotřebič jako topení nebo lampa atd.

c) vzduchový filtr je špinavý, vyčistěte jej.

d) je zablokován výstup nebo sání vzduchu.

f) nastavená teplota je příliš vysoká.

4) Problém: Únik vody během pohybu.

##### Analýza:

a) Před přesunem vypusťte kondenzát.

b) Abyste zabránili úniku vody, umístěte zařízení na rovnou zem.

5) Problém: Nepracuje a rozsvítí se kontrolka „W.F“ vody

##### Analýza:

a) Vytáhněte gumovou zátku, abyste vypustili vodu.

b) pokud je často v tomto stavu, kontaktujte kvalifikovaný servisní technik.

#### Odstraňování problémů

6) Problém: Zařízení nelze spustit.

##### Analýza:

a) možná není zapojen. Zapojte to tedy.

b) může dojít k poškození zástrčky nebo zásuvky. Nahradit poskytovatelem služeb.

c) je pravděpodobně poškozená pojistka Vyměňte pojistku u poskytovatele služeb (specifikace: 3,15A/250VAC).

7) Problém: Zařízení se automaticky zastaví.

##### Analýza:

a) načasování vypnuto nebo dosažena nastavená teplota. Restartujte jej nebo počkejte na automatické přepnutí.

8) Problém: žádný studený vzduch v režimu COOL „K“.

##### Analýza:

a) pokojová teplota je nižší než nastavená teplota. Je to normální jev, stroj se automaticky přepne, když je pokojová teplota vyšší než nastavená teplota.

b) Zařízení vstupuje do protimrazové ochrany. Zařízení se automaticky přepne po skončení ochrany proti zamrznutí.

9) Problém: LED displej indikuje chybový kód „E0“

##### Analýza:

a) snímač pokojové teploty selže nebo je poškozený. Vyměňte snímač pokojové teploty poskytovatelem služeb.

10) Problém: LED displej indikuje poruchový kód „E4“

##### Analýza:

a) varování plné vody. Vylijte vodu.

## ČIŠTĚNÍ A ÚDRŽBA

### Údržba zařízení

1. Před odpojením od napájení nejprve vypněte zařízení.

2. Otřete měkkým a suchým hadříkem. Pokud je spotřebič velmi znečištěný, použijte k čištění vlažnou vodu pod 40 ° C.

3. K čištění zařízení nikdy nepoužívejte tékavé látky, jako je benzín nebo lešticí prášek.

### Údržba vzduchového filtru

Pokud zařízení pracuje v extrémně prašném prostředí, je nutné vyčistit vzduchový filtr každé 2 týdny. Vyčistěte následujícím způsobem:

1. Nejprve zastavte zařízení, zatlačte nahoru vzduchový filtr (obrázek F).

2. Vyčistěte a znovu nainstalujte vzduchový filtr.

3. Pokud je špína nápadná, omyjte ji roztokem saponátu ve vlažné vodě. Po vyčištění jej osušte na stinném a chladném místě a poté jej znovu nainstalujte.

Údržba po sezónním používání

1. Pokud zařízení nebudete delší dobu používat, vytáhněte gumovou zátku vypouštěcího otvoru (8), abyste vypustili vodu.
2. Ponechtejте spotřebič v provozu v režimu ventilátoru pouze půl dne během slunečného dne, aby se spotřebič uvnitř vysušil a zabránil plesnivosti.
3. Zastavte zařízení, vytáhněte zástrčku napájecího kabelu, poté vyjměte baterie dálkového ovladače a zařízení řádně uložte.
4. Vyčistěte vzduchový filtr a znovu jej nainstalujte.
5. Vyjměte vzduchové hadice, řádně je uložte a pevně zakryjte otvor.

TECHNICKÁ DATA:

Chladicí výkon při BTU: 9000 BTU / hod

Chladicí výkon ve wattch: 2 600 W

Spotřeba energie (chlazení) W: 950 W

Hlasitost: <= 64 dB

Průtok vzduchu: 270 m<sup>3</sup> / h

Energetická třída: A.

Časovač: 24 hodin

Hmotnost chladiva R290: max. 160 gramů

Napětí 220-240V ~ 50Hz



Pozor, nebezpečí požáru.

NEPROPOUŠTĚTE ani nespalujte.

Uvědomte si, že chladivo nemusí obsahovat zápach.

Maximální množství náplně chladiva: 160 g.



Staráme se o životní prostředí. Papírové obaly odevzdávejte do sběrných surovin. Polyetylenová balení (PE) vhaďte do odpadkových košů na plasty. Použité zařízení odevzdávejte do sběrného dvoru, protože se v něm mohou nacházet části, které jsou pro životní prostředí škodlivé nebo nebezpečné. Elektrospotřebiče odevzdávejte v takové podobě, aby bylo znemožněno jejich další použití. Pokud se v zařízení nacházejí baterie, vyjměte je a odevzdejte zvlášť.

## DANSKI

### GENERELLE SIKKERHEDSBETINGELSER

#### VIGTIGE SIKKERHEDSINSTRUKTIONER LÆS PERSONLIG OG SPAR FOR FREMTID

1. Før du bruger enheden, skal du læse betjeningsvejledningen og følge instruktionerne i den. Producenten er ikke ansvarlig for skader forårsaget af brug af enheden i modsætning til dets tilsigtede formål eller forkert betjening.
2. Enheden er kun til hjemmebrug. Brug ikke til andre formål, der ikke er beregnet til dets tilsigtede formål.
3. Enheden skal kun tilsluttes en stikkontakt med et jordet 220 240V ~ 50Hz. For at øge driftssikkerheden skal flere elektriske enheder ikke tilsluttes et strømkredsløb på samme tid.
4. Vær meget forsigtig, når du bruger enheden, når børn er i nærheden. Lad ikke børn lege med enheden, lad ikke børn eller personer, der ikke kender enheden, bruge den.
5. ADVARSEL: Dette udstyr kan bruges af børn over 8 år og personer med begrænset fysisk, sensorisk eller mental evne, eller personer, der ikke har erfaring eller viden om udstyret, hvis dette sker under opsyn af en ansvarlig person for deres sikkerhed eller har fået dem oplysninger om sikker brug af enheden og er opmærksomme på farerne ved at bruge det. Børn bør ikke lege med udstyret. Rengøring og vedligeholdelse af enheden bør ikke udføres af børn, medmindre de er over 8 år gamle, og disse aktiviteter udføres under opsyn.

6. Frakobl altid strømstikket ved at holde stikket med hånden efter brug. Træk IKKE i netledningen.
7. Sænk ikke kablet, stikket og hele enheden i vand eller anden væske. Udsæt ikke enheden for atmosfæriske forhold (regn, sol osv.) Eller brug under forhold med høj luftfugtighed (badeværelser, fugtige mobilhomes).
8. Kontroller periodisk strømkablets tilstand. Hvis strømkablet er beskadiget, skal det udskiftes af et specialværksted for at undgå fare.
9. Brug ikke apparatet med et beskadiget strømkabel, eller hvis det er faldet eller beskadiget på anden måde, eller hvis det ikke fungerer korrekt. Reparer ikke enheden selv, da der er risiko for elektrisk stød. Tag den beskadigede enhed til et passende servicecenter for kontrol eller reparation. Alle reparationer må kun udføres af autoriserede servicepunkter. Forkert udførte reparationer kan medføre alvorlig fare for brugeren.
10. Placer enheden på en kølig, stabil overflade væk fra varme køkkenapparater som: elektrisk komfur, gasbrænder osv.
11. Sørg for, at intet blokerer enhedens luftindtag og udløb
12. Brug kun enheden på en plan overflade for at forhindre, at kondensen spilder ud
13. For at yde yderligere beskyttelse tilrådes det at installere en reststrømsenhed (RCD) i det elektriske kredsløb med en nominel reststrøm på ikke over 30 mA. Spørg en elektriker til dette.
14. Rengør luftfilteret regelmæssigt. Rengøringshyppigheden afhænger af luftens renhed.
15. Efter at have slukket for maskinen, skal du vente mindst 5 minutter, før du tænder den igen.
16. Brug ikke enheden solrige steder. Når enheden overophedes, tændes overophedningsbeskyttelsen enheden.
17. For at sikre effektiv afkøling skal der holdes en afstand på mindst 60 cm mellem enhedens sidevægge og væggen eller møbler eller gardiner.
18. På grund af enhedens begrænsede ydeevne, hvis forskellen mellem måltemperaturen og omgivelsestemperaturen er for stor, er måske ikke måltemperaturen nået.
19. For at reducere risikoen for brand, elektrisk stød eller personskade, når du bruger klimaanlægget, skal du følge følgende grundlæggende forholdsregler:
  - a) Tilslut til et jordet stikkontakt med 3 stifter.
  - b) Fjern ikke jordforbindelsesstangen.
  - c) Brug ikke adapteren.
  - d) Brug ikke en forlængerledning.
  - e) Frakobl klimaanlægget før service.
  - f) Brug to eller flere personer til at flytte og installere klimaanlægget.
20. Brug ikke andre midler, der fremskynder afrimnings- eller rengøringsprocessen,

bortset fra dem, der er anbefalet af producenten.

21. Enheden skal opbevares i et rum uden konstant drift af antændelseskilder, for eksempel: åben ild, gasapparater eller elektriske opvarmere.

#### FØR FØRSTE BRUG - (billede E)

Tilslut stikkene til luftudstødningskanalen som følger:

1. Forlæng luftudstødningskanalen (9) ved at trække kanalens to ender ud.
2. Skru luftudstødningskanalen (9) ind i stikket på luftudstødningskanalen (10).
3. Tilslut stikket til luftudstødningskanalen (10) til enheden.

#### BEMÆRKNINGER:

1. Hold enheden mindst 1 meter væk fra tv eller radioer for at undgå elektromagnetisk interferens.
2. Udsæt ikke enheden for direkte sollys for at undgå, at overfladefarven falmer.
3. Vip ikke enheden i mere end 35 ° eller på hovedet under transport. Hvis enheden er vendt under transport, skal du lægge den korrekt ned og vente 2-4 timer, før du starter den.
4. Anbring enheden på en plan overflade med en hældning på mindre end 5 °.
5. Enheden fungerer mere effektivt på bestemte lokaliteter, vælg den bedste placering:
  - Ved siden af et vindue, en dør eller et fransk vindue.
  - Hold den nødvendige afstand fra returluftudgangen til væggen eller andre forhindringer mindst 60 cm.
  - Forlæng luftslangen for at sikre, at den anden ende af luftslangen har afstand mellem vinduesdøren, det franske vindue eller væghullet.
  - Luftudtag eller indtag kan ikke blokeres af beskyttelsesgitter eller nogen forhindring.

For at forlænge enhedens levetid skal det kondenserede vand tømmes fra drænhullet (8), før enheden sættes på lager ved sæsonens afslutning.

#### ENHEDSBESKRIVELSE (billeder A og B)

- |                               |                                   |
|-------------------------------|-----------------------------------|
| 1. Betjeningspanel            | 2. Koldluftudgang                 |
| 3. Signalreceptor             | 4. Fjernbetjening                 |
| 5. Transporthåndtag           | 6. Udstødningskanal               |
| 7. Fordamperindgang           | 8. Afløbsstik                     |
| 9. Luftudstødningskanal       | 10. Stik til luftudstødningskanal |
| 11. Vinduesudstødningsadapter |                                   |

#### KONTROLPANEL (billede C)

- |                                      |                                      |
|--------------------------------------|--------------------------------------|
| A. Tænd / sluk -knap                 | B. Knap til blæserhastighed          |
| C. Mode -knap                        | D. Timer / temperatur op -knap       |
| E. Knap til timer / temperatur ned   | F. Blæserindikator for lav hastighed |
| G. Ventilator højhastighedsindikator | K. Indikator for kølig tilstand      |
| L. Indretning af affugtningstilstand | M. Indikator for ventilatortilstand  |
| N. Timerknap                         | R. WF - indikator for fuldt vand     |
| S. Indstil temperatur / timervisning | W. Timerindikator                    |

#### FJERNKONTROLLER - billede D

Fjernbetjeningen sender signaler til signalmodtageren (3).

Knap "A" - apparatet startes, når det tændes eller stoppes, når det er i drift, hvis du trykker på denne knap.

Knap "C" - tryk på den for at vælge driftstilstand: "K", "L" eller "M". Den passende indikator lyser.

Knap "B" - tryk på den for at vælge blæserhastighed i rækkefølge. Den passende indikator lyser.

Knap "D" / "E" - tryk for at indstille den ønskede temperatur i rummet eller timeren. Displayet "S" viser den ønskede temperatur, ikke den aktuelle temperatur i rummet.

Knap "N" - tryk for at indstille tidspunktet for automatisk slukning og automatisk tænding.

#### BETJENING AF KONTROLPANELET

##### KØL / TØRT / VENTILATOR

1. Tænd for enheden.
  - a) Tilslut enheden, og derefter bipper enheden en gang.
  - b) Tryk på "A" -knappen, derefter tænder enheden.
  - c) LED -display viser den indstillede temperatur.

## 2. Vælg driftstilstand

Tryk på knappen "C" for at vælge den ønskede driftsmåde efter rækkefølge:  
Køletilstand "K" -> Tørretilstand "L" -> Ventilatorindstilling "M."

## 3. Juster temperaturen

Temperaturen kan indstilles inden for et område 16 ° -31 ° C. Tryk på knappen "D" eller "E" for at øge eller sænke temperaturen med 1 ° C ved at trykke én gang. Enhedens LED -panel viser måltemperaturen i 5 sekunder og viser derefter den indstillede temperatur, ikke den aktuelle temperatur i rummet.

Efter indstilling af temperaturen under køletilstand "K", hvis du igen vælger køletilstand "K" eller blæserfunktion "M", angiver LED -displayet standardmåltemperaturen 25 ° C.

## 4. Juster blæserhastighed

Tryk på knappen "B" for at vælge en ønsket blæserhastighed vist efter rækkefølge:  
Lav hastighed "F" -> Høj hastighed G

## 5. Strøm

Når du trykker på knappen "A" igen, lyder enheden "di" og stopper med at fungere.

## 6. Tryk på denne knap "N" for at indstille en timer.

Tilstande arbejdsprincipper:

Affugt "L" -tilstand:

1. Ventilatoren kører ved lav hastighed, og hastigheden kan ikke justeres.

Justering af temperaturen er ikke effektiv. Enheden justerer automatisk den indstillede temperatur til 2 ° C under stuetemperaturen, når den går ind i affugtningstilstanden.

2. Når rumtemperatur  $\leq 16$  ° C ikke kan affugte, kører blæseren med lav hastighed.

ADVARSEL:

Ved betjening af enheden under betingelser med varierende luftfugtighed skal afløbsproppen (8) være konstant åben og sikre konstant vandafledning. Til behagelig vandafledning brug røret, der følger med i kittet.

KØL "K" -tilstand:

1. Når rumtemperaturen er højere end den indstillede temperatur på kontrolpanelet, begynder kompressoren at køre. Enheden køler rummet.

2. Når rumtemperaturen er lavere end den indstillede temperatur på betjeningspanelet, stopper kompressoren og blæseren kører med den oprindelige indstillede hastighed.

Ventilator "M." -tilstand.

1. Ventilatoren kører med den indstillede hastighed, og kompressoren kører ikke.

2. Justering af temperaturen er ikke effektiv.

Timerbetjening "N":

1. Tryk på "N" -knappen for at indstille automatisk slukningstid, mens enheden kører.

2. Tryk på knappen "N" for at indstille automatisk tændtid, mens enheden er klar.

3. Tiden kan justeres inden for et område fra 1 time til 24 timer ved at trykke på knappen "D" (+) eller "E" (-).

Varsel:

Hovedkontrolkortet har hukommelsesfunktion, når enheden er klar til at køre, men i stopstatus, kan hovedkontrolkortet huske initialiseringen af arbejdstilstand. Når du tænder enheden, fungerer den som den samme aktivering af arbejdstilstand som sidste gang, det er ikke nødvendigt at nulstille arbejdstilstanden igen.

## FJERNBETJENING

1. Skub bagdækslet for at åbne og afmonter isoleringsfilmen på batterierne.

2. Indsæt batterierne i rummet med den rigtige side. Batteriernes poler skal matche tegnene "+" og "-" på fjernbetjeningen.

3. Tag batterierne i lang tid uden brug.

4. For at forhindre miljøforurening skal de brugte batterier tages ud og bortskaffes på forsvarlig vis.

For at betjene enheden skal fjernbetjeningen (4) rettes mod signalreceptoren (3). Fjernbetjeningen (4) betjener enheden i en afstand af 5 meter, når den peger på enhedens signalreceptor (3).

## BESKYTTENDE ENHEDER

Beskyttelsesansordningen kan snuble og standse apparatet i nedenstående tilfælde:

1. ved køletilstand: indendørs lufttemperatur er over 43 ° C
2. ved køletilstand: stuetemperatur er under 16 ° C
3. ved affugtningsstilstand: stuetemperatur er under 16 ° C

Hvis enheden kører i kølende "K" eller affugter "L" -tilstand med dør eller vindue åbnet i lang tid, når den relative luftfugtighed er over 80%, kan der dryppe dug ned fra stikkontakten.

Beskyttelsesansordningen fungerer i følgende tilfælde:

1. Genstart af enheden umiddelbart efter at arbejdet er stoppet eller ændret den valgte tilstand, mens du arbejder, skal du vente 3 minutter.
2. Hvis stikket er fjernet, skal enheden efter genstart vende tilbage til den oprindelige tilstand, TIMER ON og TIMER OFF - skal indstilles igen.

**BEMÆRK:** der er gemt genanvendelse af kondensvand inde i denne enhed. Kondenseringsvandet bliver delvist genbrugt mellem kondensatoren og indbygget i vandplade. Når vandstanden stiger til det øverste niveau, hæves det af flydekontakten, så (W.F.) lyser fuld vandstandsindikatoren "R" for at minde dig om at tømme vandet. Afbryd strømforsyningen, flyt apparatet til et passende sted, fjern afløbsrøret, tøm vandet helt ud. Efter afløbet skal du installere afløbsrøret (8) igen, ellers kan apparatet lække og gøre dit værelse vådt. Hvis det ikke tømmes 5 minutter efter W.F. indikation på, viser displayet E4.

Hvis apparatet er anbragt i en position, der tillader drænvand, kan du også tilslutte afløbsrøret til afløbsporten for at dræne vandet. Afløbsrør tilføjes til kittet med indvendig diameter 9 mm, udvendig diameter 12 mm, materiale: PVC.

### Fejlfinding

1) Problem: Arbejd ikke.

Analyse:

- a) måske er beskyttelsesur eller sikring gået. Vent i 3 minutter, og start igen, beskyttelsesenhed forhindrer muligvis, at enheden fungerer.
- c) måske er batterierne i fjernbetjeningen opbrugte.
- d) stikket er måske ikke sat korrekt i.

2) Problem: virker kun i kort tid

Analyse:

- a) hvis den indstillede temperatur er tæt på stuetemperatur, kan du sænke den indstillede temperatur.
- b) måske er luftudtag blokeret af forhindring. Tag forhindringen væk.

3) Problem: Virker, men køler ikke af

Analyse:

- a) måske er døren eller vinduet åbent.
- b) måske i nær afstand er der et andet apparat varmeanvendende som varmelegeme eller lampe osv.
- c) luftfilteret er snavset, rengør det.
- d) luftudtag eller indtag er blokeret.
- f) den indstillede temperatur er for høj.

4) Fejl: Vandlækage under flytning.

Analyse:

- a) tøm kondensatet inden flytning.
- b) Placer enheden på flad grund for at undgå vandlækage.

5) Fejl: Arbejd ikke, og indikatoren "W.F." for fuldt vand lyser

Analyse:

- a) træk gummiproppen ud for at dræne vand.
- b) Hvis det ofte er i denne tilstand, skal du kontakte en kvalificeret servicetekniker.

### Fejlfinding

6) Fejl: Enheden starter ikke.

Analyse:

- a) måske ikke tilsluttet. Så tilslut det.
- b) muligvis beskadigelse af stikket eller stikket. Udskift af tjenesteudbyder.
- c) måske sikring gået i stykker. Udskift sikringen af tjenesteudbyder (specifikation: 3,15A/250VAC).

7) Fejl: Enheden stopper automatisk.

Analyse:

- a) tingen lukkes eller den indstillede temperatur nås. Genstart det, eller vent på auto-switch.

8) Problemer: ingen kold luft under KØL "K" -tilstand.

Analyse:

- a) stuetemperatur er lavere end den indstillede temperatur. Det er et normalt fænomen, maskinen skifter automatisk, mens



rumtemperaturen er højere end den indstillede temperatur.

b) Enheden går i frostbeskyttelse. Enheden skifter automatisk efter frostbeskyttelse er forbi.

9) Fejl: LED -display angiver fejlkode "E0"

Analyse:

a) rumtemperaturføler svigter eller beskadiges. Udskift rumtemperaturføleren af tjenesteudbyderen.

10) Fejl: LED -display angiver fejlkode "E4"

Analyse:

a) advarsel om fuld vand. Tøm vandet ud.

## RENGØRING OG VEDLIGEHOLDELSE

Vedligeholdelse af enheden

1. Sluk først for enheden, inden du afbryder strømforsyningen.

2. Tør af med en blød og tør klud. Brug lunkent vand under 40 ° C til rengøring, hvis apparatet er meget snavset.

3. Brug aldrig flygtige stoffer som benzin eller poleringspulver til at rengøre enheden.

Vedligeholdelse af luftfilter

Det er nødvendigt at rengøre luftfilteret hver anden uge, hvis enheden fungerer i et ekstremt støvet miljø. Rengør som følger:

1. Stop enheden først, skub luftfilteret op (billede F).

2. Rengør og geninstaller luftfilteret.

3. Hvis snavs er iøjnefaldende, vask det med en opløsning af vaskemiddel i lunkent vand. Efter rengøring tør det på et skyggefuldt og køligt sted, og geninstaller det.

Vedligeholdelse efter sæsonbestemt brug

1. Hvis enheden ikke skal bruges i længere tid, skal du sørge for at trække gummiproppen i afløbshullet (8) ud for at tømme vandet.

2. Lad apparatet kun køre med blæsertilstand i en halv dag i løbet af en solskinsdag for at tørre apparatet indeni og undgå at det mugner.

3. Stop enheden, og træk netledningen ud, tag derefter batterierne i fjernbetjeningen ud, og opbevar enheden korrekt.

4. Rengør luftfilteret, og geninstaller det.

5. Fjern luftslangerne, og opbevar dem korrekt, og dæk hullet tæt til.

## TEKNISK DATA:

Kølekapacitet ved BTU: 9000 BTU / time

Kølekapacitet i watt: 2600 W

Energiforbrug (køling) W: 950 W

Lydstyrke: <= 64 dB

Luftmængde: 270 m<sup>3</sup> / t

Energiklasse: A

Timer: 24 timer

R290 kølemiddelvægt: maks. 160 gram

Spænding 220-240V ~ 50Hz



Forsigtig, risiko for brand.

Må IKKE gennembore eller brænde.

Vær opmærksom på, at kølemediet muligvis ikke indeholder en lugt.

Den maksimale mængde kuldemedie: 160 g.



Af hensyn til miljøet ..

Venligst overfør papemballage til affaldspapir. Hæld polyethylenposer (PE) i plastbeholderen Slidt enhed skal returneres til det relevante punkt opbevaring, fordi det er farligt i enheden ingredienser kan udgøre en trussel for miljøet. Den elektriske enhed skal overleveres for at begrænse dens genanvendelse og brug. Hvis i enheden der er batterier, fjern dem og vende tilbage til punktet opbevares separat.

ΕΛΛΑΔΑ

## ΓΕΝΙΚΕΣ ΠΡΟΫΠΟΘΕΣΕΙΣ ΑΣΦΑΛΕΙΑΣ

### ΣΗΜΑΝΤΙΚΕΣ ΟΔΗΓΙΕΣ ΑΣΦΑΛΕΙΑΣ ΔΙΑΒΑΣΤΕ ΠΡΟΣΕΚΤΙΚΑ ΚΑΙ ΦΥΛΑΞΤΕ ΓΙΑ ΜΕΛΛΟΝ

1. Πριν χρησιμοποιήσετε τη συσκευή, διαβάστε το εγχειρίδιο λειτουργίας και ακολουθήστε τις οδηγίες που περιέχει. Ο κατασκευαστής δεν ευθύνεται για ζημιές που προκλήθηκαν από τη χρήση της συσκευής σε αντίθεση με τον προορισμό ή την ακατάλληλη λειτουργία.

2. Η συσκευή προορίζεται μόνο για οικιακή χρήση. Μην χρησιμοποιείτε για άλλους σκοπούς που δεν είναι για τον προορισμό τους.

3. Η συσκευή πρέπει να συνδέεται μόνο σε πρίζα εναλλασσόμενου ρεύματος με γειωμένο 220 240V ~ 50Hz. Για να αυξήσετε την ασφάλεια λειτουργίας, πολλές ηλεκτρικές συσκευές δεν πρέπει να συνδέονται ταυτόχρονα σε ένα κύκλωμα ρεύματος.
4. Να είστε ιδιαίτερα προσεκτικοί όταν χρησιμοποιείτε τη συσκευή όταν τα παιδιά βρίσκονται κοντά. Μην επιτρέπετε στα παιδιά να παίζουν με τη συσκευή, μην επιτρέπετε σε παιδιά ή άτομα που δεν είναι εξοικειωμένα με τη συσκευή να τα χρησιμοποιούν.
5. ΠΡΟΕΙΔΟΠΟΙΗΣΗ: Αυτός ο εξοπλισμός μπορεί να χρησιμοποιηθεί από παιδιά ηλικίας άνω των 8 ετών και άτομα με περιορισμένη σωματική, αισθητηριακή ή νοητική ικανότητα ή άτομα που δεν έχουν εμπειρία ή γνώση του εξοπλισμού, εάν αυτό γίνεται υπό την επίβλεψη υπεύθυνου προσώπου για την ασφάλειά τους ή έχουν λάβει πληροφορίες για την ασφαλή χρήση της συσκευής και γνωρίζουν τους κινδύνους από τη χρήση της. Τα παιδιά δεν πρέπει να παίζουν με τον εξοπλισμό. Ο καθαρισμός και η συντήρηση της συσκευής δεν πρέπει να εκτελούνται από παιδιά, εκτός αν είναι άνω των 8 ετών και οι δραστηριότητες αυτές εκτελούνται υπό επίβλεψη.
6. Πάντοτε αποσυνδέετε το φις από την πρίζα κρατώντας την υποδοχή με το χέρι σας μετά τη χρήση. ΜΗΝ τραβάτε το καλώδιο τροφοδοσίας.
7. Μη βυθίζετε το καλώδιο, το βύσμα και ολόκληρη τη συσκευή σε νερό ή άλλο υγρό. Μην εκθέτετε τη συσκευή σε ατμοσφαιρικές συνθήκες (βροχή, ήλιο, κ.λπ.) ή σε συνθήκες υψηλής υγρασίας (μπάνια, υγροί κινητοί οικισμοί).
8. Ελέγχετε περιοδικά την κατάσταση του καλωδίου τροφοδοσίας. Εάν το καλώδιο τροφοδοσίας είναι κατεστραμμένο, πρέπει να αντικατασταθεί από ειδικό κατάστημα επισκευής για να αποφευχθεί ο κίνδυνος.
9. Μην χρησιμοποιείτε τη συσκευή με φθαρμένο καλώδιο τροφοδοσίας ή εάν έχει πέσει ή έχει υποστεί ζημιά με οποιονδήποτε άλλο τρόπο ή εάν δεν λειτουργεί σωστά. Μην επισκευάζετε τη συσκευή σας μόνοι σας, καθώς υπάρχει κίνδυνος ηλεκτροπληξίας. Πάρτε την κατεστραμμένη συσκευή σε κατάλληλο κέντρο σέρβις για έλεγχο ή επισκευή. Όλες οι επισκευές πρέπει να εκτελούνται μόνο από εξουσιοδοτημένα σημεία εξυπηρέτησης. Οι εσφαλμένες επισκευές μπορούν να προκαλέσουν σοβαρό κίνδυνο για τον χρήστη.
10. Τοποθετήστε τη συσκευή σε δροσερή, σταθερή επιφάνεια, μακριά από θερμές συσκευές κουζίνας όπως: ηλεκτρική κουζίνα, καυστήρα αερίου κλπ.
11. Βεβαιωθείτε ότι τίποτα δεν εμποδίζει την είσοδο και την έξοδο αέρα της συσκευής
12. Χρησιμοποιείτε τη συσκευή μόνο σε επίπεδη επιφάνεια για να αποφύγετε τη διαρροή της συμπύκνωσης
13. Για την παροχή πρόσθετης προστασίας, συνιστάται η τοποθέτηση συσκευής υπολειπόμενου ρεύματος (RCD) στο ηλεκτρικό κύκλωμα με ονομαστικό υπολειπόμενο ρεύμα που δεν υπερβαίνει τα 30mA. Ρωτήστε έναν ηλεκτρολόγο για αυτό.
14. Καθαρίζετε τακτικά το φίλτρο αέρα. Η συχνότητα καθαρισμού εξαρτάται από την καθαριότητα του αέρα.

15. Αφού απενεργοποιήσετε τη συσκευή, περιμένετε τουλάχιστον 5 λεπτά πριν ενεργοποιήσετε ξανά.

16. Μην χρησιμοποιείτε τη συσκευή σε ηλιόλουστες περιοχές. Όταν η συσκευή υπερθερμανθεί, η προστασία υπερθέρμανσης θα ενεργοποιήσει τη συσκευή.

17. Για να εξασφαλιστεί αποτελεσματική ψύξη, πρέπει να διατηρείται απόσταση τουλάχιστον 60 cm μεταξύ των πλευρικών τοιχωμάτων της συσκευής και του τοίχου ή των επίπλων ή κουρτινών.

18. Λόγω της περιορισμένης απόδοσης της συσκευής, εάν η διαφορά μεταξύ της θερμοκρασίας στόχου και της θερμοκρασίας περιβάλλοντος είναι πολύ μεγάλη, η θερμοκρασία στόχος ενδέχεται να μην είναι εφικτή.

19. Για να μειώσετε τον κίνδυνο πυρκαγιάς, ηλεκτροπληξίας ή τραυματισμού κατά τη χρήση του κλιματιστικού, ακολουθήστε τις ακόλουθες βασικές προφυλάξεις:

α) Συνδέστε σε μια γειωμένη πρίζα με 3 ακίδες.

β) Μην αφαιρείτε το πέλαμα γείωσης.

γ) Μην χρησιμοποιείτε τον προσαρμολόγο.

δ) Μην χρησιμοποιείτε καλώδιο προέκτασης.

ε) Αποσυνδέστε το κλιματιστικό πριν από τη συντήρηση.

στ) Χρησιμοποιήστε δύο ή περισσότερα άτομα για να μετακινήσετε και να εγκαταστήσετε το κλιματιστικό.

20. Μην χρησιμοποιείτε παράγοντες που επιταχύνουν τη διαδικασία απόψυξης ή καθαρισμού εκτός από εκείνες που συνιστώνται από τον κατασκευαστή.

21. Η συσκευή πρέπει να αποθηκεύεται σε ένα δωμάτιο χωρίς συνεχή λειτουργία ανάφλεξης, για παράδειγμα: ανοικτή φωτιά, συσκευές αερίου ή ηλεκτρικοί θερμαντήρες.

ΠΡΙΝ ΤΗΝ ΠΡΩΤΗ ΧΡΗΣΗ - (εικόνα Ε)

Συνδέστε τους συνδέητες στον αγωγό εξαγωγής αέρα ως εξής:

1. Επεκτείνετε τον αγωγό εξαγωγής αέρα (9) τραβώντας τα δύο άκρα του αγωγού.
2. Βιδώστε τον αγωγό εξαγωγής αέρα (9) στον σύνδεσμο του αγωγού εξαγωγής αέρα (10).
3. Συνδέστε τη φίσα του αγωγού εξαγωγής αέρα (10) στη συσκευή.

ΠΑΡΑΤΗΡΗΣΕΙΣ:

1. Κρατήστε τη μονάδα τουλάχιστον 1 μέτρο μακριά από την τηλεόραση ή τα ραδιόφωνα για να αποφύγετε τις ηλεκτρομαγνητικές παρεμβολές.
  2. Μην εκθέτετε τη μονάδα σε άμεσο ηλιακό φως για να αποφύγετε το ξεθώριασμα του χρώματος της επιφάνειας.
  3. Μην γέρνετε τη μονάδα για περισσότερο από 35 ° ή ανάποδα κατά τη μεταφορά. Εάν η συσκευή έχει αναποδογυρίσει κατά τη μεταφορά, βάλτε την κάτω σωστά και περιμένετε 2-4 ώρες πριν την εκκινήσετε.
  4. Τοποθετήστε τη μονάδα σε επίπεδη επιφάνεια με κλίση μικρότερη από 5 °.
  5. Η μονάδα λειτουργεί πιο αποτελεσματικά σε ορισμένες θέσεις δωματίων, επιλέξτε την καλύτερη τοποθεσία:
    - Διπλά σε ένα παράθυρο, μια πόρτα ή ένα παράθυρο γαλλικού τύπου.
    - Διατηρήστε την απαιτούμενη απόσταση από την έξοδο αέρα επιστροφής στον τοίχο ή άλλα εμπόδια τουλάχιστον 60 cm.
    - Επεκτείνετε τον εύκαμπτο σωλήνα αέρα για να βεβαιωθείτε ότι το άλλο άκρο του εύκαμπτου σωλήνα αέρα έχει κενό μεταξύ της πόρτας του παραθύρου ή του παραθύρου ή της οπής τοίχου.
    - Η έξοδος ή η εισαγωγή αέρα δεν μπορούν να μπλοκαριστούν από προστατευτικό πλέγμα ή οποιοδήποτε εμπόδιο.
- Για να παρατείνετε τη διάρκεια ζωής της μονάδας, αποστραγγίστε το συμπυκνωμένο νερό από την οπή αποστράγγισης (8) πριν τη θέσετε σε αποθήκευση στο τέλος της σεζόν.

ΠΕΡΙΓΡΑΦΗ ΣΥΣΚΕΥΗΣ (εικόνας Α και Β)

1. Πίνακας ελέγχου

2. Έξοδος κρούς αέρα

- |                                      |                                     |
|--------------------------------------|-------------------------------------|
| 3. Υποδοχή σήματος                   | 4. Τηλεχειριστήριο                  |
| 5. Λαβή μεταφοράς                    | 6. Αγωγός εξάτμισης                 |
| 7. Είσοδος εξάτμιση                  | 8. Βύσμα αποστράγγισης              |
| 9. Αγωγός εξάτμισης αέρα             | 10. Συνδετήρας αγωγού εξαγωγής αέρα |
| 11. Προσαρμογέας εξάτμισης παραθύρου |                                     |

#### ΠΙΝΑΚΑΣ ΕΛΕΓΧΟΥ (εικόνα Γ)

- |   |   |
|---|---|
| A. Κουμπί λειτουργίας                           | B. Κουμπί ταχύτητας ανεμιστήρα          |
| Γ. Κουμπί λειτουργίας                           | D. Κουμπί χρονοδιακόπτη / θερμοκρασίας  |
| E. Χρονοδιακόπτης / Κουμπί μείωσης θερμοκρασίας | F. Ένδειξη χαμηλής ταχύτητας ανεμιστήρα |
| Z. Ένδειξη υψηλής ταχύτητας ανεμιστήρα          | K. Ένδειξη λειτουργίας ψύξης            |
| L. Ένδειξη λειτουργίας αφύγρανσης               | M. Ένδειξη λειτουργίας ανεμιστήρα       |
| N. Κουμπί χρονοδιακόπτη                         | R. WF - ένδειξη πλήρους νερού           |
| S. Ρύθμιση θερμοκρασίας / ένδειξη χρονοδιακόπτη | W. Ένδειξη χρονοδιακόπτη                |

#### ΤΗΛΕΧΕΙΡΙΣΤΙΚΟΣ ΕΛΕΓΧΟΣ - εικόνα Δ

Το τηλεχειριστήριο μεταδίδει σήματα στον δέκτη σήματος (3).

Κουμπί "A" - η συσκευή θα τεθεί σε λειτουργία όταν είναι ενεργοποιημένη ή θα σταματήσει όταν είναι σε λειτουργία, αν πατήσετε αυτό το κουμπί.

Κουμπί "C" - πατήστε το για να επιλέξετε τον τρόπο λειτουργίας: "K", "L" ή "M". Θα ανάψει η κατάλληλη ένδειξη.

Κουμπί "B" - πατήστε το για να επιλέξετε την ταχύτητα του ανεμιστήρα με τη σειρά. Θα ανάψει η κατάλληλη ένδειξη.

Κουμπί "D" / "E" - πατήστε για να ρυθμίσετε την επιθυμητή θερμοκρασία στο δωμάτιο ή στο χρονόμετρο. Η οθόνη "S" παρουσιάζει την επιθυμητή θερμοκρασία, όχι την θερμοκρασία στο δωμάτιο.

Κουμπί "N" - πατήστε για να ρυθμίσετε την ώρα αυτόματης απενεργοποίησης και αυτόματης ενεργοποίησης.

#### ΛΕΙΤΟΥΡΓΙΑ ΤΟΥ ΠΙΝΑΚΑ ΕΛΕΓΧΟΥ

##### OLYXH / ΣΤΕΓΝΟ / ANEMISTHRA

1. Ενεργοποιήστε τη συσκευή.

α) Συνδέστε τη συσκευή και, στη συνέχεια, η συσκευή ηχεί μπιπ μία φορά.

β) Πατήστε το κουμπί "A" και στη συνέχεια η συσκευή θα ενεργοποιηθεί.

γ) Η οθόνη LED υποδεικνύει τη ρυθμισμένη θερμοκρασία.

2. Επιλέξτε τον τρόπο λειτουργίας

Πατήστε το κουμπί "C" για να επιλέξετε τον επιθυμητό τρόπο λειτουργίας κατά σειρά:

Λειτουργία ψύξης "K" -> Λειτουργία στεγνώματος "L" -> Λειτουργία ανεμιστήρα "M."

3. Ρυθμίστε τη θερμοκρασία

Η θερμοκρασία μπορεί να ρυθμιστεί σε εύρος 16 ° -31 ° C. Πατήστε το κουμπί "D" ή "E" για να αυξήσετε ή να μειώσετε τη θερμοκρασία κατά 1 ° C πατώντας μία φορά. Ο πίνακας LED της συσκευής εμφανίζει τη θερμοκρασία -στόχο για 5 δευτερόλεπτα και στη συνέχεια εμφανίζει τη ρυθμισμένη θερμοκρασία, όχι τη θερμοκρασία στο δωμάτιο.

Αφού ρυθμίσετε τη θερμοκρασία στη λειτουργία ψύξης "K", εάν επιλέξετε ξανά τη λειτουργία ψύξης "K" ή τη λειτουργία ανεμιστήρα "M", τότε η οθόνη LED υποδεικνύει την προεπιλεγμένη θερμοκρασία -στόχο 25 ° C.

4. Ρυθμίστε την ταχύτητα του ανεμιστήρα

Πατήστε το κουμπί "B" για να επιλέξετε τις επιθυμητές εμφανίσεις ταχύτητας ανεμιστήρα κατά σειρά:

Χαμηλή ταχύτητα "F" -> Υψηλή ταχύτητα G

5. Ισχύς

Όταν πατήσετε ξανά το κουμπί "A", η συσκευή θα ηχήσει "di" και θα σταματήσει να λειτουργεί.

6. Πατήστε αυτό το κουμπί "N" για να ρυθμίσετε ένα χρονόμετρο.

Αρχές λειτουργίας τρόπων λειτουργίας:

Αφυγρανθείτε στη λειτουργία "L":

1. Ο ανεμιστήρας θα λειτουργεί σε χαμηλή ταχύτητα και η ταχύτητα δεν μπορεί να ρυθμιστεί.

Η ρύθμιση της θερμοκρασίας δεν είναι αποτελεσματική. Η συσκευή προσαρμόζει αυτόματα τη ρυθμισμένη θερμοκρασία στους 2 ° C κάτω από τη θερμοκρασία δωματίου κατά την είσοδο στη λειτουργία αφύγρανσης.

2. Όταν η θερμοκρασία δωματίου ≤ 16 °C, δεν μπορεί να αφυγρανθεί, ο ανεμιστήρας θα λειτουργεί σε χαμηλή ταχύτητα.

## ΠΡΟΕΙΔΟΠΟΙΗΣΗ:

Κατά τη λειτουργία της συσκευής σε συνθήκες ποικίλης υγρασίας, το πώμα αποστράγγισης (8) πρέπει να είναι συνεχώς ανοιχτό και να εξασφαλίζει συνεχή αποστράγγιση νερού. Για άνετη αποστράγγιση του νερού χρησιμοποιήστε τον σωλήνα που περιλαμβάνεται στο kit.

## ΛΕΙΤΟΥΡΓΙΑ "K" COOL:

1. Όταν η θερμοκρασία δωματίου είναι υψηλότερη από τη ρυθμισμένη θερμοκρασία στον πίνακα ελέγχου, ο συμπιεστής αρχίζει να λειτουργεί. Η συσκευή ψύχει το δωμάτιο.
2. Όταν η θερμοκρασία δωματίου είναι χαμηλότερη από τη ρυθμισμένη θερμοκρασία στον πίνακα ελέγχου, ο συμπιεστής σταματά και ο ανεμιστήρας λειτουργεί με την αρχική ρυθμισμένη ταχύτητα.

## Λειτουργία ανεμιστήρα "M".

1. Ο ανεμιστήρας λειτουργεί με ρυθμισμένη ταχύτητα και ο συμπιεστής δεν λειτουργεί.
2. Η ρύθμιση της θερμοκρασίας δεν είναι αποτελεσματική.

## Λειτουργία χρονοδιακόπτη "N":

1. Πατήστε το κουμπί "N" για να ρυθμίσετε την Αυτόματη απενεργοποίηση χρόνου ενώ η μονάδα λειτουργεί.
2. Πατήστε το κουμπί "N" για να ρυθμίσετε την Αυτόματη ενεργοποίηση εγκαίρως ενώ η μονάδα είναι έτοιμη.
3. Ο χρόνος μπορεί να ρυθμιστεί εντός εύρους από 1 ώρα έως 24 ώρες πατώντας το κουμπί "D+)" ή "E"-).

## Ειδοποίηση:

Ο κύριος πίνακας ελέγχου έχει λειτουργία μνήμης, όταν η συσκευή είναι έτοιμη για λειτουργία αλλά σε κατάσταση διακοπής, η κύρια πλακέτα ελέγχου μπορεί να απομνημονεύσει την εκκίνηση της λειτουργίας εργασίας. Όταν ενεργοποιείτε τη μονάδα, θα λειτουργεί ως η ίδια λειτουργία λειτουργίας με την προηγούμενη φορά, δεν χρειάζεται να επαναφέρετε ξανά τη λειτουργία εργασίας.

## ΤΗΛΕΧΕΙΡΙΣΤΗΡΙΟ

1. Σύρετε το πίσω κάλυμμα για να ανοίξει και αφαιρέστε το φιλμ απομόνωσης στις μπαταρίες.
2. Τοποθετήστε τις μπαταρίες στο διαμέρισμα με τη σωστή πλευρά. Οι πόλοι των μπαταριών πρέπει να ταιριάζουν με τις πινακίδες "+" και "-" στο τηλεχειριστήριο.
3. Για μεγάλο χρονικό διάστημα χωρίς χρήση, βγάλτε τις μπαταρίες.
4. Για να αποφύγετε τη ρύπανση του περιβάλλοντος, αφαιρέστε τις χρησιμοποιημένες μπαταρίες και απορρίψτε την ασφάλεια και κατάλληλα.

Για τη λειτουργία της συσκευής, στοχεύστε το τηλεχειριστήριο (4) στον υποδοχέα σήματος (3). Το τηλεχειριστήριο (4) θα λειτουργεί τη συσκευή σε απόσταση 5 μέτρων όταν δείχνει προς τον υποδοχέα σήματος (3) της συσκευής.

## ΣΥΣΚΕΥΕΣ ΠΡΟΣΤΑΤΕΥΤΙΚΗΣ

Η προστατευτική συσκευή μπορεί να σκοντάψει και να σταματήσει τη συσκευή στις παρακάτω περιπτώσεις:

1. σε λειτουργία ψύξης: η θερμοκρασία του εσωτερικού αέρα είναι πάνω από 43 ° C
2. σε λειτουργία ψύξης: η θερμοκρασία δωματίου είναι κάτω από 16 ° C
3. σε λειτουργία αφύγρανσης: η θερμοκρασία δωματίου είναι κάτω από 16 ° C

Εάν η συσκευή λειτουργεί σε λειτουργία ψύξης "K" ή αφυγρανθεί η λειτουργία "L" με πόρτα ή παράθυρο ανοιχτό για μεγάλο χρονικό διάστημα όταν η σχετική υγρασία είναι πάνω από 80%, μπορεί να στάξει δροσιά από την πρίζα.

Η προστατευτική συσκευή θα λειτουργεί στις ακόλουθες περιπτώσεις:

1. Επανεκκίνηση της συσκευής αμέσως μετά τη διακοπή της εργασίας ή την αλλαγή της επιλεγμένης λειτουργίας κατά την εργασία, πρέπει να περιμένετε 3 λεπτά.
2. Εάν το βύσμα έχει αφαιρεθεί, μετά την επανεκκίνηση η συσκευή θα επιστρέψει στην αρχική λειτουργία, το TIMER ON και το TIMER OFF - πρέπει να ρυθμιστούν ξανά.

**ΠΑΡΑΤΗΡΗΣΗ:** υπάρχει κρυμμένη ανακύκλωση νερού συμπύκνωσης σε αυτήν τη συσκευή. Το νερό συμπύκνωσης διατηρείται εν μέρει ανακύκλωση μεταξύ του συμπυκνωτή και ενσωματώνεται σε πλάκα νερού. Όταν η στάθμη του νερού ανεβαίνει στο ανώτερο επίπεδο, ανεβαίνει από το διακόπτη πλωτήρα, τότε (W.F.) ανάβει η ένδειξη πλήρους στάθμης νερού "R" για να σας υπενθυμίσει να αποστραγγίσετε το νερό. Διακόψτε την παροχή ρεύματος, μετακινήστε τη συσκευή σε κατάλληλο μέρος, αφαιρέστε την τάπα αποστράγγισης, αποστραγγίστε το νερό εντελώς. Μετά την αποστράγγιση, εγκαταστήστε ξανά την τάπα αποστράγγισης (8), διαφορετικά η συσκευή μπορεί να διαρρέυσει και να κάνει το δωμάτιο σας υγρό. Εάν δεν αποστραγγίσετε 5 λεπτά μετά το W.F. ένδειξη ενεργοποιημένη, στην οθόνη θα εμφανιστεί το E4.

Εάν η συσκευή τοποθετηθεί σε θέση εισαγωγής νερού αποστράγγισης, μπορείτε επίσης να συνδέσετε τον σωλήνα αποστράγγισης στη θύρα αποστράγγισης για να αποστραγγίσετε το νερό. Προστίθεται σωλήνας αποστράγγισης στο kit, με εσωτερική διάμετρο 9mm, εξωτερική διάμετρο 12mm, υλικό: PVC.

Αντιμετώπιση προβλημάτων

1) Πρόβλημα: Μην δουλεύετε.

Ανάλυση:

α) ίσως η πώση ή η ασφάλεια του προστάτη έχει καεί, περιμένετε 3 λεπτά και ξεκινήστε ξανά, η συσκευή προστασίας μπορεί να εμποδίζει τη συσκευή να λειτουργεί.

γ) ίσως οι μπαταρίες στο τηλεχειριστήριο έχουν εξαντληθεί.

δ) ίσως το βύσμα δεν είναι σωστά συνδεδεμένο.

2) Πρόβλημα: λειτουργεί μόνο για μικρό χρονικό διάστημα

Ανάλυση:

α) εάν η ρυθμισμένη θερμοκρασία είναι κοντά στη θερμοκρασία δωματίου, μπορείτε να μειώσετε τη ρυθμισμένη θερμοκρασία.

β) ίσως η έξοδος αέρα να μπλοκαριστεί από εμπόδιο. Απομακρύνετε το εμπόδιο.

3) Πρόβλημα: Λειτουργεί αλλά δεν ψύχεται

Ανάλυση:

α) ίσως η πόρτα ή το παράθυρο είναι ανοιχτά.

β) ίσως σε κοντινή απόσταση να υπάρχει άλλη συσκευή που λειτουργεί με θερμότητα, όπως θερμάστρα ή λάμπα κ.λπ.

γ) το φίλτρο αέρα είναι βρώμικο, καθαρίστε το.

δ) η έξοδος ή η εισαγωγή αέρα είναι φραγμένη.

στ) η καθορισμένη θερμοκρασία είναι πολύ υψηλή.

4) Πρόβλημα: Διαρροή νερού κατά τη μετακίνηση.

Ανάλυση:

α) στραγγίστε το συμπύκνωμα πριν μετακινηθείτε.

β) για να αποφύγετε τη διαρροή νερού, εντοπίστε τη συσκευή σε επίπεδο έδαφος.

5) Πρόβλημα: Μην εργάζεστε και ανάβει η ενδεικτική λυχνία "W.F" πλήρους ποτίσματος

Ανάλυση:

α) βγάλτε το λαστιχένιο βύσμα για να αποστραγγίσετε το νερό.

β) εάν βρίσκεται συχνά σε αυτήν την κατάσταση, επικοινωνήστε με εξειδικευμένο τεχνικό σέρβις.

Αντιμετώπιση προβλημάτων

6) Πρόβλημα: Η συσκευή δεν εκκινεί.

Ανάλυση:

α) ίσως δεν είναι συνδεδεμένο. Οπότε, συνδέστε το.

β) ίσως βλάβη στο βύσμα ή στην πρίζα. Αντικατάσταση από τον πάροχο υπηρεσιών.

γ) ίσως χαλάσει η ασφάλεια. Αντικαταστήστε την ασφάλεια από τον πάροχο υπηρεσιών (προδιαγραφή: 3,15A/250VAC).

7) Πρόβλημα: Η συσκευή σταματά αυτόματα.

Ανάλυση:

α) ο χρόνος έκλεισε ή η θερμοκρασία έφτασε. Κάντε επανεκκίνηση ή περιμένετε για αυτόματα εναλλαγή.

8) Πρόβλημα: δεν υπάρχει κρύος αέρας στη λειτουργία COOL "K".

Ανάλυση:

α) η θερμοκρασία δωματίου είναι χαμηλότερη από τη ρυθμισμένη θερμοκρασία. Είναι ένα φυσιολογικό φαινόμενο, το μηχάνημα θα αλλάξει αυτόματα ενώ η θερμοκρασία του δωματίου είναι υψηλότερη από τη ρυθμισμένη θερμοκρασία.

β) Η συσκευή εισέρχεται σε αντιπαγετική προστασία. Η συσκευή θα αλλάξει αυτόματα μετά την ολοκλήρωση της προστασίας από τον παγετό.

9) Πρόβλημα: Η οθόνη LED υποδεικνύει τον κωδικό αστοχίας "E0"

Ανάλυση:

α) Ο αισθητήρας θερμοκρασίας δωματίου αποτυγχάνει ή καταστρέφεται. Αντικαταστήστε τον αισθητήρα θερμοκρασίας δωματίου από τον πάροχο υπηρεσιών.

10) Πρόβλημα: Η οθόνη LED υποδεικνύει τον κωδικό αστοχίας "E4"

Ανάλυση:

α) προειδοποίηση πλήρους νερού. Στραγγίστε το νερό.

## ΚΑΘΑΡΙΣΜΟΣ ΚΑΙ ΣΥΝΤΗΡΗΣΗ

Συντήρηση συσκευής

1. Απενεργοποιήστε πρώτα τη συσκευή πριν την αποσυνδέσετε από το τροφοδοτικό.

2. Σκουπίστε με ένα μαλακό και στεγνό πανί. Χρησιμοποιήστε χλιαρό νερό κάτω από 40 ° C για να καθαρίσετε εάν η συσκευή είναι πολύ βρώμικη.

3. Ποτέ μην χρησιμοποιείτε πηκτικές ουσίες όπως βενζίνη ή σκόνη γυαλίσματος για να καθαρίσετε τη συσκευή.

Συντήρηση φίλτρου αέρα

Είναι απαραίτητο να καθαρίζετε το φίλτρο αέρα κάθε 2 εβδομάδες εάν η συσκευή λειτουργεί σε εξαιρετικά σκονισμένο περιβάλλον.

Καθαρίστε ως εξής:

1. Σταματήστε πρώτα τη συσκευή, σπρώξτε προς τα πάνω το φίλτρο αέρα (Εικόνα F).

2. Καθαρίστε και εγκαταστήστε ξανά το φίλτρο αέρα.

3. Εάν η βρωμιά είναι εμφανής, πλύνετε την με ένα διάλυμα απορρυπαντικού σε χλιαρό νερό. Αφού καθαρίσετε, στεγνώστε το σε σκιερό και δροσερό μέρος και, στη συνέχεια, εγκαταστήστε το ξανά.

Συντήρηση μετά από εποχιακή χρήση

1. Εάν η συσκευή δεν θα χρησιμοποιηθεί για μεγαλύτερο χρονικό διάστημα, φροντίστε να τραβήξετε το λαστιχένιο πώμα της οπίσθιας αποστράγγισης (8) για να αποστραγγίσετε το νερό.
2. Κρατήστε τη συσκευή σε λειτουργία με λειτουργία ανεμιστήρα μόνο για μισή ημέρα κατά τη διάρκεια μιας ηλιόλουστης ημέρας για να στεγνώσει η συσκευή στο εσωτερικό και να αποφύγετε τη μούχλα.
3. Σταματήστε τη συσκευή και βγάλτε το φιλτράκι από το καλώδιο τροφοδοσίας και αφαιρέστε τις μπαταρίες του τηλεχειριστηρίου και αποθηκεύστε τη συσκευή σωστά.
4. Καθαρίστε το φίλτρο αέρα και τοποθετήστε το ξανά.
5. Αφαιρέστε τους εύκαμπτους σωλήνες αέρα και αποθηκεύστε τους σωστά και καλύψτε καλά την τρύπα.

ΤΕΧΝΙΚΑ ΔΕΔΟΜΕΝΑ:

Ικανότητα ψύξης σε BTU: 9000 BTU / ώρα

Ικανότητα ψύξης σε watt: 2600 W

Κατανάλωση ενέργειας (ψύξη) W: 950 W

Όγκος: <= 64 dB

Ροή αέρα: 270 m<sup>3</sup> / h

Ενεργειακή κλάση: A

Χρονόμετρο: 24 ώρες

Βάρος ψυκτικού R290: μέγ. 160 γραμμάρια

Τάση 220-240V ~ 50Hz



Προσοχή, κίνδυνος πυρκαγιάς.

ΜΗΝ τρυπάτε ή καίτε.

Λάβετε υπόψη ότι το ψυκτικό μπορεί να μην περιέχει οσμή.

Η μέγιστη ποσότητα φορτίου ψυκτικού μέσου: 160g.



We geven om het milieu. We vragen u om de kartonnen verpakkingen te storten bij het oud papier. Polyethyleen zakken (PE) storten in de container voor plastic. Versleten apparatuur afgeven bij het juiste verzamelpunt, als in het apparaat gevaarlijke elementen zitten kan dat een bedreiging zijn voor het milieu. Elektrisch apparaat moet worden geretourneerd om het hergebruik te verminderen. Als in het apparaat batterijen zitten, horen die verwijderd te worden en apart af te worden gegeven bij het juiste verzamelpunt.

## NEDERLANDS

### ALGEMENE VEILIGHEIDSVOORWAARDEN BELANGRIJKE VEILIGHEIDSINSTRUCTIES LEES AANDACHTIG EN BEWAAR VOOR TOEKOMST

1. Lees voordat u het apparaat gebruikt de handleiding en volg de instructies die erin staan. De fabrikant is niet aansprakelijk voor schade veroorzaakt door het gebruik van het apparaat in strijd met het beoogde doel of onjuist gebruik.
2. Het apparaat is alleen voor thuisgebruik. Niet gebruiken voor andere doeleinden die niet voor het beoogde doel zijn.
3. Het apparaat mag alleen worden aangesloten op een stopcontact met een gearde 220 240V ~ 50Hz. Om de operationele veiligheid te vergroten, mogen meerdere elektrische apparaten niet tegelijkertijd op één stroomcircuit worden aangesloten.
4. Wees uiterst voorzichtig wanneer u het apparaat gebruikt wanneer kinderen in de buurt zijn. Laat kinderen niet met het apparaat spelen, en laat kinderen of mensen die niet bekend zijn met het apparaat het gebruiken.
5. **WAARSCHUWING:** deze apparatuur kan worden gebruikt door kinderen ouder dan 8 jaar en mensen met beperkte fysieke, sensorische of mentale vaardigheden, of mensen die geen ervaring of kennis van de apparatuur hebben, als dit wordt gedaan onder toezicht van een verantwoordelijke persoon voor hun veiligheid of hebben ze informatie gekregen over het veilige gebruik van het apparaat en zijn zich bewust van de gevaren van het gebruik ervan. Kinderen mogen niet met het apparaat spelen. Reiniging en onderhoud van het apparaat mogen niet door kinderen worden uitgevoerd, tenzij ze



- ouder zijn dan 8 jaar en deze activiteiten worden uitgevoerd onder toezicht.
6. Trek altijd de stekker uit het stopcontact door het stopcontact na gebruik met uw hand vast te houden. Trek NIET aan het netsnoer.
  7. Dompel de kabel, de stekker en het hele apparaat niet onder in water of een andere vloeistof. Stel het apparaat niet bloot aan atmosferische omstandigheden (regen, zon, enz.) Of gebruik het niet in omstandigheden met een hoge luchtvochtigheid (badkamers, vochtige stacaravans).
  8. Controleer regelmatig de staat van het netsnoer. Als het netsnoer beschadigd is, moet het worden vervangen door een gespecialiseerde reparatiewerkplaats om gevaar te voorkomen.
  9. Gebruik het apparaat niet met een beschadigd netsnoer of als het is gevallen of op een andere manier is beschadigd of als het niet goed werkt. Repareer het apparaat niet zelf, want er bestaat een risico op elektrische schokken. Breng het beschadigde apparaat naar een geschikt servicecentrum voor controle of reparatie. Alle reparaties mogen alleen door geautoriseerde servicepunten worden uitgevoerd. Onjuist uitgevoerde reparaties kunnen ernstig gevaar voor de gebruiker veroorzaken.
  10. Plaats het apparaat op een koele, stabiele ondergrond, uit de buurt van hete keukenapparatuur zoals: elektrisch fornuis, gasbrander, enz.
  11. Zorg ervoor dat niets de luchtinlaat en -uitlaat van het apparaat blokkeert
  12. Gebruik het apparaat alleen op een vlakke ondergrond om te voorkomen dat condensatie naar buiten komt
  13. Voor extra bescherming is het raadzaam om een aardlekschakelaar (RCD) in het elektrisch circuit te installeren met een nominale reststroom van niet meer dan 30 mA. Vraag hierom een elektricien.
  14. Reinig het luchtfilter regelmatig. De frequentie van schoonmaken hangt af van de reinheid van de lucht.
  15. Wacht na het uitschakelen van de machine minstens 5 minuten voordat u hem weer inschakelt.
  16. Gebruik het apparaat niet op zonnige plaatsen. Wanneer het apparaat oververhit raakt, schakelt de oververhittingsbeveiliging het apparaat in.
  17. Voor een effectieve koeling moet een afstand van minimaal 60 cm worden aangehouden tussen de zijwanden van het apparaat en de muur of meubels of gordijnen.
  18. Vanwege de beperkte prestaties van het apparaat wordt de doeltemperatuur mogelijk niet bereikt als het verschil tussen de doeltemperatuur en de omgevingstemperatuur te groot is.
  19. Neem de volgende basisvoorzorgsmaatregelen in acht om het risico op brand, elektrische schokken of letsels bij het gebruik van de airconditioner te verminderen:
    - a) Sluit aan op een geaard stopcontact met 3 pinnen.
    - b) Verwijder de aardingspen niet.
    - c) Gebruik de adapter niet.



d) Gebruik geen verlengsnoer.

e) Koppel de airconditioner los voordat u onderhoud uitvoert.

f) Gebruik twee of meer mensen om de airconditioner te verplaatsen en te installeren.

20. Gebruik geen andere middelen dan het door de fabrikant aanbevolen ontdooiings- of reinigingsproces.

21. Het apparaat moet worden opgeslagen in een ruimte zonder constant werkende ontstekingsbronnen, bijvoorbeeld: open vuur, gastoestellen of elektrische kachels.

#### VOOR HET EERSTE GEBRUIK – (afbeelding E)

Sluit de connectoren als volgt aan op het luchtafvoerkanaal:

1. Verleng het luchtafvoerkanaal (9) door de twee uiteinden van het kanaal naar buiten te trekken.
2. Schroef het luchtafvoerkanaal (9) in de aansluiting van het luchtafvoerkanaal (10).
3. Sluit de connector van het luchtafvoerkanaal (10) aan op het apparaat.

#### OPMERKINGEN:

1. Houd het apparaat op minstens 1 meter afstand van tv of radio's om elektromagnetische interferentie te voorkomen.
  2. Stel het apparaat niet bloot aan direct zonlicht om verkleuring van het oppervlak te voorkomen.
  3. Kantel het apparaat tijdens het transport niet meer dan 35° of ondersteboven. Als het apparaat tijdens het transport is omgedraaid, leg het dan op de juiste manier neer en wacht 2-4 uur voordat u het inschakelt.
  4. Plaats het apparaat op een vlakke ondergrond met een helling van minder dan 5°.
  5. Het apparaat werkt efficiënter in bepaalde kamerlocaties, selecteer de beste locatie:
    - Naast een raam, een deur of een Frans raam.
    - Houd de vereiste afstand van de retourluchtuitlaat tot de muur of andere obstakels minimaal 60 cm.
    - Verleng de luchtslang om ervoor te zorgen dat het andere uiteinde van de luchtslang speling heeft tussen de raamdeur, het openslaande raam of het muurgat.
    - Luchtuitlaat of -inlaat kan niet worden geblokkeerd door een beschermend rooster of een obstakel.
- Om de levensduur van het apparaat te verlengen, laat u het condenswater uit de afvoeropening (8) lopen voordat u het apparaat aan het einde van het seizoen opbergt.

#### APPARAATBESCHRIJVING (afbeeldingen A en B)

- |                              |                                   |
|------------------------------|-----------------------------------|
| 1. Bedieningspaneel          | 2. Koude luchtuitlaat             |
| 3. Signaalontvanger          | 4. Afstandsbediening              |
| 5. Transporthandvat          | 6. Uitlaatkanaal                  |
| 7. Inlaat verdamper          | 8. Aftapplug                      |
| 9. Luchtafvoerkanaal         | 10. Aansluiting luchtafvoerkanaal |
| 11. Adapter voor raamuitlaat |                                   |

#### BEDIENINGSPANEEL (afbeelding C)

- |   |                                       |
|---|---------------------------------------|
| A. Aan/uit-knop                           | B. Ventilatorsnelheid-knop            |
| C. Modusknop                              | D. Timer / Temperatuur omhoog-knop    |
| E. Timer/Temperatuur omlaag-knop          | F. Indicator lage snelheid ventilator |
| G. Indicator hoge snelheid ventilator     | K. Indicator koelmodus                |
| L. Indicator ontvochtigingsmodus          | M. Indicator ventilatormodus          |
| N. Timerknop                              | R. WF – indicator vol water           |
| S. Ingestelde temperatuur / Timerweergave | W. Timerindicator                     |

#### AFSTANDBEDIENING – afbeelding D

De afstandsbediening zendt signalen naar de signaalontvanger (3).

Knop "A" - het apparaat wordt gestart wanneer het wordt ingeschakeld of wordt gestopt wanneer het in werking is, als u op deze knop drukt.

Knop "C" - druk erop om de bedieningsmodus te selecteren: "K", "L" of "M". Geschikte indicator zal oplichten.

Knop "B" - druk erop om de ventilatorsnelheid in volgorde te selecteren. Geschikte indicator zal oplichten.

Knop "D" / "E" - indrukken om de gewenste temperatuur in de kamer of de timer in te stellen. Het display "S" geeft de gewenste temperatuur weer, niet de huidige temperatuur in de kamer.

Knop "N" - druk om de tijd van automatisch uit en automatisch aan in te stellen.

## WERKING VAN HET BEDIENINGSPANEEL KOEL / DROOG / VENTILATOR

1. Schakel het apparaat in.
  - a) Sluit het apparaat aan en het apparaat piept eenmaal.
  - b) Druk op de "A"-knop, waarna het apparaat wordt ingeschakeld.
  - c) LED-display geeft de ingestelde temperatuur aan.

### 2. Kies de bedrijfsmodus:

Druk op de "C"-knop om de gewenste bedrijfsmodus in volgorde te selecteren:  
Koelmodus "K" -> Droogmodus "L" -> Ventilatormodus "M."

### 3. Pas de temperatuur aan:

De temperatuur kan worden ingesteld binnen een bereik van 16°-31°C. Druk op de knop "D" of "E" om de temperatuur met 1°C te verhogen of te verlagen door eenmaal op te drukken. Het LED-paneel van het apparaat toont de doeltemperatuur gedurende 5 seconden en geeft vervolgens de ingestelde temperatuur weer, niet de huidige temperatuur in de kamer.

Als u na het instellen van de temperatuur onder Koelmodus "K" opnieuw de koelmodus "K" of Ventilatormodus "M" selecteert, geeft het LED-display de standaard doeltemperatuur van 25°C aan.

### 4. Pas de ventilatorsnelheid aan

Druk op de knop "B" om een gewenste ventilatorsnelheid te selecteren, weergegeven op volgorde:  
Lage snelheid "F" -> Hoge snelheid "G"

### 5. Vermogen

Wanneer u nogmaals op de "A"-knop drukt, klinkt het apparaat "di" en stopt met werken.

### 6. Druk op deze knop "N" om een timer in te stellen.

Werkingsprincipes van modi:

Ontvochtigen "L" modus:

1. De ventilator draait op lage snelheid en de snelheid kan niet worden aangepast.

De aanpassing van de temperatuur is niet effectief. Het apparaat past de ingestelde temperatuur automatisch aan tot 2°C onder de kamertemperatuur bij het inschakelen van de ontvochtigingsmodus.

2. Wanneer kamertemperatuur ≤ 16 °C niet kan ontvochtigen, zal de ventilator op lage snelheid draaien.

WAARSCHUWING:

Bij gebruik van het apparaat in omstandigheden met wisselende vochtigheid, moet de aftapplug (8) constant open staan en zorgen voor een constante waterafvoer. Gebruik voor een comfortabele waterafvoer de buis die in de set zit.

COOL "K"-modus:

1. Wanneer de kamertemperatuur hoger is dan de ingestelde temperatuur op het bedieningspaneel, begint de compressor te draaien. Het apparaat koelt de ruimte.

2. Wanneer de kamertemperatuur lager is dan de ingestelde temperatuur op het bedieningspaneel, stopt de compressor en werkt de ventilator op de oorspronkelijk ingestelde snelheid.

Ventilator "M"-modus.

1. De ventilator draait op de ingestelde snelheid en de compressor draait niet.
2. De aanpassing van de temperatuur is niet effectief.

Timerfunctie "N":

1. Druk op de "N"-knop om de automatische uitschakeltijd in te stellen terwijl het apparaat in werking is.
2. Druk op de "N"-knop om de automatische aan-tijd in te stellen terwijl het apparaat gereed is.
3. De tijd kan binnen een bereik van 1 uur tot 24 uur worden aangepast door op de knop "D" (+) of "E" (-) te drukken.

Kennisgeving:

De hoofdbesturingskaart heeft een geheugenfunctie, wanneer het apparaat klaar is om te werken, maar in de stopstatus, kan de hoofdbesturingskaart de initialisatie van de werkmodus onthouden. Wanneer u het apparaat inschakelt, werkt het als dezelfde uitvoering van de werkmodus als de vorige keer, het is niet nodig om de werkmodus opnieuw in te stellen.

## AFSTANDBEDIENING

1. Schuif de achterklep open en verwijder de isolatiefolie op de batterijen.
  2. Plaats de batterijen met de juiste kant in het compartiment. De polen van de batterijen moeten overeenkomen met de tekens "+" en "-" op de afstandsbediening.
  3. Haal de batterijen eruit als u ze lange tijd niet gebruikt.
  4. Om milieuvuiling te voorkomen, verwijdert u de gebruikte batterijen en voert u ze veilig en op de juiste manier af.
- Om het apparaat te bedienen, richt u de afstandsbediening (4) op de signaalontvanger (3). De afstandsbediening (4) zal het apparaat bedienen op een afstand van 5 meter wanneer deze naar de signaalontvanger (3) van het apparaat wijst.

## BESCHERMENDE APPARATEN

De beveiligingsinrichting kan in de onderstaande gevallen struikelen en het apparaat stoppen:

1. in koelmodus: binnenluchttemperatuur is hoger dan 43°C
2. in koelmodus: kamertemperatuur is lager dan 16°C
3. in ontvochtigingsmodus: kamertemperatuur is lager dan 16°C

Als het apparaat in de koelmodus "K" of de ontvochtigingsmodus "L" draait terwijl de deur of het raam lange tijd openstaat en de relatieve vochtigheid hoger is dan 80%, kan er dauw uit de uitlaat druppelen.

Het beveiligingsapparaat werkt in de volgende gevallen:

1. Als u het apparaat onmiddellijk opnieuw opstart na het stoppen van het werk of het wijzigen van de geselecteerde modus terwijl u aan het werk bent, moet u 3 minuten wachten.
2. Als de stekker is verwijderd, keert het apparaat na het opnieuw opstarten terug naar de oorspronkelijke modus, TIMER ON en TIMER OFF - moeten opnieuw worden ingesteld.

**OPMERKING:** er is condenswaterrecycling verborgen in dit apparaat. Het condenswater wordt gedeeltelijk gerecycled tussen de condensor en de ingebouwde waterplaat. Wanneer het waterniveau naar het bovenste niveau stijgt, wordt het verhoogd door de vloterschakelaar, waarna (W.F.) de indicator voor het vol waterniveau "R" gaat branden om u eraan te herinneren het water af te tappen. Sluit de stroomtoevoer af, verplaats het apparaat naar een geschikte plaats, verwijder de aftapplug en laat het water volledig weglopen. Plaats na het aftappen de aftapplug (8) terug, anders kan het apparaat gaan lekken en uw kamer nat maken. Als het 5 minuten na de W.F. indicatie aan, toont het display E4.

Als het apparaat op een plaats wordt geplaatst waar afvoerwater doorlaat, kunt u ook de afvoerleiding aansluiten op de afvoerpoort om het water af te voeren. Afvoerpijp is toegevoegd aan kit, met binnendiameter 9 mm, buitendiameter 12 mm, materiaal: PVC.

## Probleemoplossen

- 1) Probleem: werk niet.

Analyse:

- a) misschien is de beveiliging of de zekering gesprongen, wacht 3 minuten en begin opnieuw, het beveiligingsapparaat verhindert mogelijk dat het apparaat werkt.
- c) misschien zijn de batterijen in de afstandsbediening leeg.
- d) misschien zit de stekker er niet goed in.

- 2) Probleem: werkt slechts voor een korte tijd

Analyse:

- a) als de ingestelde temperatuur dicht bij de kamertemperatuur ligt, kunt u de ingestelde temperatuur verlagen.
- b) misschien is de luchtuitlaat geblokkeerd door een obstakel. Neem het obstakel weg.

- 3) Probleem: werkt maar koelt niet

Analyse:

- a) misschien staat de deur of het raam open.
- b) misschien is er op korte afstand een ander apparaat dat warmte aan het werk is, zoals een verwarming of lamp, enz.
- c) het luchtfilter is vuil, maak het schoon.
- d) luchtuitlaat of -inlaat is geblokkeerd.
- f) ingestelde temperatuur is te hoog.

- 4) Probleem: Waterlekkage tijdens verhuizen.

Analyse:

- a) Tap het condensaat af voordat u gaat verhuizen.
- b) plaats het apparaat op een vlakke ondergrond om waterlekkage te voorkomen.

- 5) Probleem: werk niet en water vol-indicator "W.F" licht aan

Analyse:

- a) trek de rubberen stop eruit om het water af te tappen.
- b) als het zich vaak in deze staat bevindt, neem dan contact op met een gekwalificeerde technische dienst.

Probleemoplossen

- 6) Probleem: apparaat start niet op.

Analyse:

- a) misschien niet aangesloten. Dus stekker erin.
- b) misschien schade aan de stekker of het stopcontact. Vervang door serviceprovider.
- c) misschien is de zekering kapot. Vervang de zekering door de serviceprovider (specificatie: 3,15A/250VAC).

7) Probleem: apparaat stopt automatisch.

Analyse:

- a) Timing uitgeschakeld of ingestelde temperatuur bereikt. Start het opnieuw of wacht op automatisch wisselen.
- 8) Probleem: geen koude lucht in COOL "K"-modus.

Analyse:

- a) kamertemperatuur is lager dan de ingestelde temperatuur. Het is een normaal verschijnsel dat de machine automatisch schakelt als de kamertemperatuur hoger is dan de ingestelde temperatuur.
- b) Apparaat gaat in vorstbeveiliging. Het apparaat schakelt automatisch over nadat de vorstbeveiliging is afgelopen.

9) Probleem: LED-display geeft storingscode "E0" aan

Analyse:

- a) kamertemperatuursensor defect of beschadigd. Vervang de kamertemperatuursensor door een serviceprovider.
- 10) Probleem: LED-display geeft storingscode "E4" aan

Analyse:

- a) water vol waarschuwing. Giet het water af.

## REINIGING EN ONDERHOUD

### Apparaatonderhoud

1. Schakel het apparaat eerst uit voordat u de stekker uit het stopcontact haalt.
2. Veeg af met een zachte en droge doek. Gebruik lauw water van minder dan 40°C om het apparaat schoon te maken als het erg vuil is.
3. Gebruik nooit vluchtige stoffen zoals benzine of polijstpoeder om het apparaat schoon te maken.

### Onderhoud luchtfilter

Het is noodzakelijk om het luchtfilter om de 2 weken te reinigen als het apparaat in een extreem stoffige omgeving wordt gebruikt.

Reinig als volgt:

1. Stop het apparaat eerst, duw het luchtfilter omhoog (Afbeelding F).
2. Reinig het luchtfilter en installeer het opnieuw.
3. Als het vuil opvalt, was het dan met een oplossing van afwasmiddel in lauw water. Droog het na het reinigen op een schaduwrijke en koele plaats en installeer het vervolgens opnieuw.

### Onderhoud na seizoensgebonden gebruik

1. Als het apparaat voor langere tijd niet wordt gebruikt, moet u ervoor zorgen dat u de rubberen plug van het afvoergat (8) eruit trekt om het water af te voeren.
2. Laat het apparaat op een zonnige dag slechts een halve dag in de ventilatormodus werken om het apparaat van binnen te drogen en te voorkomen dat het gaat schimmelen.
3. Stop het apparaat en trek de stekker uit het stopcontact, verwijder vervolgens de batterijen van de afstandsbediening en berg het apparaat op de juiste manier op.
4. Reinig het luchtfilter en installeer het opnieuw.
5. Verwijder de luchtslangen, berg ze goed op en dek het gat goed af.

## TECHNISCHE DATA:

Koelcapaciteit bij BTU: 9000 BTU / uur

Koelvermogen in watt: 2600 W

Energieverbruik (koeling) W: 950 W

Volume: <= 64 dB

Luchtstroom: 270 m3 / h

Energieklasse: A

Timer: 24 uur

R290 koelvloeistof gewicht: max. 160 gram

Spanning 220-240V ~50Hz



Let op, brandgevaar.

NIET doorboren of verbranden.

Houd er rekening mee dat het koelmiddel mogelijk geen geur bevat.

De maximale vulhoeveelheid koelmiddel: 160 g.



We geven om het milieu. We vragen u om de kartonnen verpakkingen te storten bij het oud papier. Polyethyleen zakken (PE) storten in de container voor plastic. Versleten apparatuur afgeven bij het juiste verzamelpunt, als in het apparaat gevaarlijke elementen zitten kan dat een bedreiging zijn voor het milieu. Elektrisch apparaat moet worden geretourneerd om het hergebruik te verminderen. Als in het apparaat batterijen zitten, horen die verwijderd te worden en apart af te worden gegeven bij het juiste verzamelpunt.

ОПШТИ УСЛОВИ СИГУРНОСТИ  
ВАЖНЕ БЕЗБЕДНОСНЕ УПУТЕ ПРОЧИТАЈТЕ УПОЗОРЕЊЕ И УШТЕДИТЕ  
БУДУЋНОСТ

1. Пре употребе уређаја, прочитајте упутство за употребу и следите упутства која се налазе у њему. Произвођач није одговоран за штету насталу употребом уређаја супротно његовој предвиђеној намени или неправилном раду.
2. Уређај је намењен само за кућну употребу. Не употребљавајте у друге сврхе које нису предвиђене.
3. Уређај треба да буде повезан на наизменичну струју са уземљеним 220 240В ~ 50Хз. Да би се повећала оперативна сигурност, више електричних уређаја не би требало истовремено да буде повезано на један струјни круг.
4. Будите изузетно опрезни када користите уређај када су деца у близини. Не дозволите деци да се играју са уређајем, не дозволите деци или особама које нису упознате са уређајем да га користе.
5. УПОЗОРЕЊЕ: Ову опрему могу користити деца старија од 8 година и особе ограничене физичке, сензорне или менталне способности, или људи који немају искуства или знање о опреми, ако се то ради под надзором одговорне особе ради њихове сигурности или су им одобрени подаци о сигурној употреби уређаја и свесни су опасности употребе уређаја. Деца се не смеју играти са опремом. Чишћење и одржавање уређаја не би требало да раде деца, осим ако су старија од 8 година и ове активности се изводе под надзором.
6. Увек искључите утикач држећи утичницу руком након употребе. НЕ повлачите кабл за напајање.
7. Не урањајте кабл, утикач и цео уређај у воду или било коју другу течност. Не излажите уређај атмосферским условима (киша, сунце итд.) И не користите у условима високе влажности (купатила, влажне мобилне кућице).
8. Повремено проверите стање кабла за напајање. Ако је кабл за напајање оштећен, замените га у специјалном сервису да бисте избегли опасност.
9. Не користите уређај са оштећеним каблом за напајање или ако је пао или оштећен на било који други начин или ако не ради исправно. Не поправљајте уређај сами јер постоји опасност од електричног удара. Оштећени уређај однесите у одговарајући сервисни центар ради провере или поправке. Све поправке смеју обављати само овлашћени сервиси. Неправилно извршени поправци могу озбиљно опасити за корисника.
10. Уређај поставите на хладну и стабилну површину, даље од врућих кухињских уређаја као што су: електрични шпорет, плински горионик итд.
11. Пазите да ништа не блокира довод и излаз ваздуха уређаја
12. Користите уређај само на равној површини како бисте спречили да се кондензат пролије

13. Да бисте обезбедили додатну заштиту, препоручљиво је да у електрични круг инсталирате уређај за заосталу струју (РЦД) са називно заосталом струјом која не прелази 30mA. Питајте за то електричара.
14. Редовно чистите ваздушни филтер. Учесталост чишћења зависи од чистоће ваздуха.
15. Након што искључите машину, сачекајте најмање 5 минута пре него што је поново укључите.
16. Не користите уређај на сунчаним местима. Када се уређај прегреје, укључиће се заштита од прегревања.
17. Да би се осигурало ефикасно хлађење, између бочних зидова уређаја и зида или намештаја или завеса треба да се задржи најмање 60 цм.
18. Због ограничених перформанси уређаја, ако је разлика између циљне температуре и температуре околине превелика, циљна температура можда неће бити достигнута.
19. Да бисте смањили ризик од пожара, струјног удара или повреда приликом коришћења клима уређаја, придржавајте се следећих основних мера предострожности:
  - а) Спојите на уземљену утичницу са 3 пина.
  - б) Не уклањајте уземљење.
  - ц) Не користите адаптер.
  - д) Не користите продужни кабел.
  - е) Искључите клима уређај прије сервисирања.
  - ф) Користите две или више особа за померање и инсталирање клима уређаја.
20. Не користите средства која убрзавају процес одмрзавања или чишћења другачија од оних које препоручује произвођач.
21. Уређај треба складиштити у просторији без стално делујућих извора паљења, на пример: отворена ватра, гасни уређаји или електрични грејачи.

#### ПРЕ ПРВЕ УПОТРЕБЕ - (слика Е)

Прикључите конекторе у одвод ваздуха на следећи начин:

1. Продужите канал за одвод ваздуха (9) тако што ћете извући два краја канала.
2. Уврните одводни канал (9) у конектор одводног канала (10).
3. Прикључите конектор одводног канала за ваздух (10) на уређај.

#### НАПОМЕНЕ:

1. Држите уређај најмање 1 метар удаљен од телевизора или радија како бисте избегли електромагнетске сметње.
2. Не излажите јединицу директном сунчевом светлу како бисте избегли изблиједивање боје површине.
3. Немојте нагињати јединицу за више од 35 ° или наопако током транспорта. Ако се уређај преврнуо током транспорта, правилно га одложите и сачекајте 2-4 сата пре него што га покренете.
4. Поставите уређај на равну површину са нагибом мањим од 5 °.
5. Јединица ради ефикасније на одређеним локацијама просторија, одаберите најбољу локацију:
  - Поред прозора, врата или француског прозора.
  - Нека удаљеност од излаза повратног ваздуха до зида или других препрека буде најмање 60 цм.
  - Продужите црево за ваздух како бисте осигурали да други крај црева за ваздух има зазор између прозорских врата, француског прозора или рупе на зиду.
  - Излаз или улаз ваздуха не могу бити блокирани заштитном решетком или било којом препреком.

Да бисте продужили животни век јединице, испразните кондензовану воду из одводног отвора (8) пре него што јединицу

одложите у складиште на крају сезоне.

#### ОПИС УРЕЂАЈА (слике А и В)

- |                                |   |
|--------------------------------|---|
| 1. Контролна табла             | 2. Излаз за хладан ваздух               |
| 3. Пријемник сигнала           | 4. Даљински управљач                    |
| 5. Транспортна ручка           | 6. Издувни канал                        |
| 7. Улаз испаривача             | 8. Чеп за испуштање                     |
| 9. Одводни канал за ваздух     | 10. Прикључак одводног канала за ваздух |
| 11. Адаптер за издувне прозоре |   |

#### УПРАВЉАЧКА ПЛОЧА (слика С)

- A. Дугме за укључивање В. Дугме за брзину вентилатора  
C. Дугме за режим рада D. Дугме за мерење времена / повећање температуре  
E. Тајмер / дугме за смањење температуре F. Индикатор ниске брзине вентилатора  
G. Индикатор велике брзине вентилатора K. Индикатор режима хлађења  
L. Индикатор режима одvlaживања M. Индикатор режима вентилатора  
H. Тастер тајмера P. WF - индикатор пуне воде  
S. Постављена температура / Приказ тајмера W. Индикатор тајмера

#### ДАЉИНСКИ УПРАВЉАЧ - слика Д.

Даљински управљач преноси сигнале пријемнику сигнала (3).

Дугме "А" - уређај ће се покренути када је под напоном или ће се зауставити док ради, ако притиснете ово дугме.

Дугме "Ц" - притисните га за избор режима рада: "К", "Л" или "М". Одговарајући индикатор ће се упалити.

Дугме "Б" - притисните га за избор брзине вентилатора у низу. Одговарајући индикатор ће се упалити.

Дугме "Д" / "Е" - притисните да бисте подесили жељену температуру у просторији или тајмер. Приказ „С“ приказује жељену температуру, а не тренутну температуру у просторији.

Дугме "Н" - притисните за подешавање времена аутоматског искључивања и аутоматског укључивања.

#### РАД УПРАВЉАЧКЕ ПЛОЧЕ

##### ХЛАДНО / СУШНО / ВЕНТИЛАТОР

1. Укључите уређај.

а) Прикључите уређај, а затим ће се уређај огласити једном.

б) Притисните дугме "А", а затим ће се уређај укључити.

ц) ЛЕД дисплеј приказује подешену температуру.

2. Одаберите начин рада

Притисните дугме "Ц" да бисте изабрали жељени начин рада према редоследу:

Начин хлађења "К" -> Начин сушења "Л" -> Начин рада вентилатора "М"

3. Подесите температуру

Температура се може подесити у распону од 16 ° -31 ° Ц. Притисните дугме "Д" или "Е" да бисте једном повећали или смањили температуру за 1 ° Ц. ЛЕД плоча уређаја приказује циљну температуру 5 секунди, а затим приказује подешену температуру, а не тренутну у просторији.

Након подешавања температуре у режиму хлађења „К“, ако поново изаберете режим хлађења „К“ или режим вентилатора „М“, ЛЕД дисплеј приказује подразумевану циљну температуру 25 ° Ц.

4. Подесите брзину вентилатора

Притисните дугме "Б" да бисте изабрали жељену брзину вентилатора према редоследу:

Мала брзина "Ф" -> Велика брзина Г

5. Снага

Када поново притиснете дугме "А", уређај ће се огласити "ди" и престати да ради.

6. Притисните ово дугме "Н" да бисте подесили тајмер.

Начини рада принципа:

Режим одvlaживања "Л":

1. Вентилатор ће радити при малој брзини и брзина се не може подесити.

Подешавање температуре није ефикасно. Уређај аутоматски подешава подешену температуру на 2 ° Ц испод собне

температуре при уласку у режим одvlaживања.

2. Када се собна температура  $\leq 16\text{ }^{\circ}\text{C}$  не може одvlaжити, вентилатор ће радити при малим брзинама.

#### УПОЗОРЕЊЕ:

Приликом рада уређаја у условима променљиве влажности, одводни чеп (8) би требао бити стално отворен и обезбедити стално одвод воде. За удобно испуштање воде користите цев која се налази у комплекту.

#### ХЛАДНИ "К" режим:

1. Када је собна температура виша од задате температуре на контролној табли, компресор почиње да ради. Уређај хлади просторију.
2. Када је собна температура нижа од задате температуре на контролној табли, компресор се зауставља и вентилатор ради при првобитно подешеној брзини.

#### Режим вентилатора "М".

1. Вентилатор ради подешеном брзином, а компресор не ради.
2. Подешавање температуре није ефикасно.

#### Тајмер "Н":

1. Притисните дугме "Н" за подешавање времена аутоматског искључивања док уређај ради.
2. Притисните дугме "Н" за подешавање аутоматског укључивања док је уређај спреман.
3. Време се може подесити у распону од 1 сата до 24 сата притиском на дугме "D" (+) или "E" (-).

#### Објава:

Главна контролна плоча има меморијску функцију, када је уређај спреман за рад, али у статусу заустављања, главна контролна плоча може запамтити иницијализацију радног режима. Када укључите јединицу, она ће радити као исти радни режим као и прошли пут, нема потребе да поново постављате радни режим.

#### ДАЉИНСКИ УПРАВЉАЧ

1. Гурните задњи поклопац да бисте га отворили и скините изолациони филм са батерија.
2. Уметните батерије у одељак са исправном страном. Полови батерија морају одговарати знаковима "+" и "-" на даљинском управљачу.
3. Извадите батерије дуго времена без употребе.
4. Да бисте спречили загађење животне средине, извадите истрошене батерије и одложите их на безбедан и одговарајући начин.

Да бисте управљали уређајем, усмерите даљински управљач (4) према пријемнику сигнала (3). Даљински управљач (4) ће управљати уређајем на удаљености од 5 метара када показује на пријемник сигнала (3) уређаја.

#### ЗАШТИТНИ УРЕЂАЈИ

Заштитни уређај може да се спотакне и заустави уређај у доле наведеним случајевима:

1. у режиму хлађења: температура ваздуха у затвореном простору је преко  $43\text{ }^{\circ}\text{C}$
2. у режиму хлађења: собна температура је испод  $16\text{ }^{\circ}\text{C}$
3. у режиму одvlaживања: собна температура је испод  $16\text{ }^{\circ}\text{C}$

Ако уређај ради у режиму хлађења „К“ или одvlaживање „Л“ са отвореним вратима или прозором дуже време када је релативна влажност ваздуха изнад 80%, роса може да капље из излаза.

Заштитни уређај ће радити у следећим случајевима:

1. Поново покретање уређаја одмах након престанка рада или промене изабраног режима током рада, морате сачекати 3 минута.
2. Ако је утикач уклоњен, након поновног покретања уређај ће се вратити у првобитни режим, ТИМЕР ОН и ТИМЕР ОФФ - морају се поново поставити.

**НАПОМЕНА:** у уређају се крије рециклирање кондензоване воде. Кондензациона вода се делимично рециклира између кондензатора и уграђене плоче за воду. Када се ниво воде подигне на горњи ниво, подиже се прекидачем на пловак, а затим (В.Ф.) светли индикатор пуног нивоа воде "P" да вас подсети да испустите воду. Прекините напајање струјом, премјестите уређај на одговарајуће мјесто, уклоните чеп за испуштање, потпуно испразните воду. Након испуштања, поново уметните одводни чеп (8) или уређај може процурити и учинити вашу собу моқром. Ако се не испразни 5 минута након В.Ф. када је индикација укључена, на екрану ће се приказати E4.

Ако је апарат постављен на место за испуштање одводне воде, такође можете повезати одводну цев са одводним отвором за испуштање воде. Одводна цев се додаје у комплет, са унутрашњим пречником 9 мм, спољним пречником 12 мм,



материјал: ПВЦ.

Решавање проблема

1) Проблем: Не радите.

Анализа:

а) можда је заштитни прекидач или осигурач прегорео, сачекајте 3 минута и почните поново, заштитни уређај можда спречава рад уређаја.

ц) можда су се батерије у даљинском управљачу испразниле.

д) можда утикач није правилно прикључен.

2) Проблем: ради само кратко време

Анализа:

а) ако је подешена температура близу собне температуре, можете је смањити.

б) можда је излаз блокиран препреком. Уклоните препреку.

3) Проблем: Ради, али не хлади

Анализа:

а) можда су врата или прозор отворени.

б) можда у близини постоји други уређај који ради на топлоти, попут грејача или лампе, итд.

ц) ваздушни филтер је прљав, очистите га.

д) излаз или улаз ваздуха су блокирани.

ф) подешена температура је превисока.

4) Проблем: Цурење воде током кретања.

Анализа:

а) испустите кондензат пре померања.

б) да бисте избегли цурење воде, поставите уређај на равно тло.

5) Проблем: Не радити и индикатор напуњености водом „В.Ф“ светли

Анализа:

а) извучите гумени чеп за испуштање воде.

б) ако је често у овом стању, обратите се квалификованој техничкој служби.

Решавање проблема

6) Проблем: Уређај се не покреће.

Анализа:

а) можда није прикључен. Дакле, укључите га.

б) можда оштећење утикача или утичнице. Замените код добављача услуга.

в) можда је осигурач покварен. Замените осигурач од добављача услуга (спецификација: 3,15А/250ВАЦ).

7) Проблем: Уређај се аутоматски зауставља.

Анализа:

а) искључивање времена или достизање задате температуре. Поново га покрените или сачекајте аутоматско пребацивање.

8) Проблем: нема хладног ваздуха у режиму ЦООЛ "К".

Анализа:

а) собна температура је нижа од подешене температуре. То је нормална појава, машина ће се аутоматски пребацивати док је собна температура виша од задате температуре.

б) Уређај улази у заштиту од смрзавања. Уређај ће се аутоматски пребацивати након што се заврши заштита од смрзавања.

9) Проблем: ЛЕД дисплеј приказује код квара „Е0“

Анализа:

а) сензор собне температуре откаже или се оштети. Добављач услуга замени сензор собне температуре.

10) Проблем: ЛЕД дисплеј приказује код грешке "Е4"

Анализа:

а) упозорење о пуној води. Испустите воду.

## ЧИШЋЕЊЕ И ОДРЖАВАЊЕ

Одржавање уређаја

1. Пре искључивања са напајања искључите уређај.

2. Обришите меком и сувом крпом. Користите млаку воду испод 40 ° Ц за чишћење ако је апарат јако прљав.

3. За чишћење уређаја никада немојте користити испарљиве супстанце, попут бензина или прашка за полирање.

Одржавање ваздушног филтера

Филтер за ваздух је потребно очистити сваке 2 недеље ако уређај ради у изузетно прашњавом окружењу. Очистите на следећи начин:

1. Прво зауставите уређај, гурните ваздушни филтер према горе (слика Ф).

2. Очистите и вратите ваздушни филтер.

3. Ако је прљавштина упадљива, оперите је раствором детерџента у млакој води. Након чишћења осушите га на

засењеном и хладном месту, а затим га поново инсталирајте.

Одржавање након сезонске употребе

1. Ако уређај нећете користити дуже време, обавезно извуците гумени чеп одводне рупе (8) како бисте испразнили воду.
2. Уређај нека ради са вентилатором само пола дана током сунчаног дана да се апарат осуши у унутрашњости и спречи стварање плесни.
3. Зауставите уређај и извуците утикач кабла за напајање, затим извадите батерије даљинског управљача и уредно одложите уређај.
4. Очистите ваздушни филтер и поново га поставите.
5. Уклоните црева за ваздух и правилно их складиштите, а рупу чврсто покријте.

ТЕХНИЧКИ ПОДАЦИ:

Капацитет хлађења на БТУ: 9000 БТУ / сат

Капацитет хлађења у ватима: 2600 В

Потрошња енергије (хлађење) В: 950 В

Јачина звука: <= 64 дБ

Проток ваздуха: 270 м<sup>3</sup> / х

Енергетска класа: А

Тајмер: 24 сата

Р290 тежина расхладне течности: макс. 160 грама

Напон 220-240В ~ 50Хз



Опрез, опасност од пожара

НЕ бушите и не палите.

Имајте на уму да расхладно средство можда не садржи мирис.

Максимална количина пуњења расхладног средства: 160г.



За заштиту животне средине: молимо вас да одвојите картонске кутије и пластичне кесе и одложите их у одговарајуће канте за смеће. Коришћени уређај треба да буде испоручен на наменске сакупљане тачке због оштрих компоненти, што може утицати на животну средину. Немојте одлагати овај уређај у заједничку корпу за отпатке.

SVENSKA

## ALLMÄNNA SÄKERHETSVILLKOR

### VIKTIGA SÄKERHETSINSTRUKTIONER LÄS NU OCH SPARA FÖR FRAMTID

1. Läs bruksanvisningen innan du använder enheten och följ instruktionerna i den. Tillverkaren ansvarar inte för skador orsakade av att använda enheten i strid med dess avsedda syfte eller felaktig användning.
2. Enheten är endast avsedd för hemmabruk. Använd inte för andra ändamål som inte är avsedda för det.
3. Enheten ska endast anslutas till ett vägguttag med ett jordat 220 240V ~ 50Hz. För att öka driftsäkerheten bör flera elektriska enheter inte anslutas till en strömkrets samtidigt.
4. Var försiktig när du använder enheten när barn är i närheten. Låt inte barn leka med enheten, låt inte barn eller personer som inte känner till enheten använda den.
5. VARNING: Denna utrustning får användas av barn över 8 år och personer med begränsad fysisk, sensorisk eller mental förmåga, eller personer som inte har erfarenhet eller kunskap om utrustningen, om detta görs under övervakning av en ansvarig person för deras säkerhet eller har fått dem information om säker användning av enheten och är medvetna om farorna med att använda den. Barn ska inte leka med utrustningen. Rengöring och underhåll av enheten bör inte utföras av barn, såvida de inte är över 8 år gamla och dessa aktiviteter utförs under övervakning.
6. Koppla alltid ur nätkontakten genom att hålla uttaget med handen efter användning. Dra inte i nätsladden.
7. Sänk inte ned kabeln, kontakten och hela enheten i vatten eller någon annan vätska.

Utsätt inte enheten för atmosfäriska förhållanden (regn, sol, etc.) eller användning vid förhållanden med hög luftfuktighet (badrum, fuktiga husbilar).

8. Kontrollera regelbundet nätkabelns tillstånd. Om nätsladden är skadad bör den bytas ut av en specialistverkstad för att undvika fara.

9. Använd inte apparaten med en skadad nätsladd eller om den har tappats eller skadats på något annat sätt eller om den inte fungerar korrekt. Reparera inte enheten själv eftersom det finns risk för elektrisk stöt. Ta den skadade enheten till ett lämpligt servicecenter för kontroll eller reparation. Alla reparationer får endast utföras av auktoriserade servicepunkter. Felaktigt utförda reparationer kan orsaka allvarlig fara för användaren.

10. Placera enheten på en sval, stabil yta, borta från heta köksapparater som: elektrisk spis, gasbrännare, etc.

11. Se till att ingenting blockerar luftinloppet och utloppet på enheten

12. Använd enheten endast på en jämn yta för att förhindra att kondensen spinner ut

13. För att ge ytterligare skydd rekommenderas det att installera en restströmsenhet (RCD) i den elektriska kretsen med en nominell restström som inte överstiger 30 mA. Fråga en elektriker för detta.

14. Rengör luftfiltret regelbundet. Rengöringsfrekvensen beror på luftens renhet.

15. När du har stängt av maskinen, vänta minst 5 minuter innan du slår på den igen.

16. Använd inte enheten på soliga platser. När enheten överhettas tänds överhettningsskyddet på enheten.

17. För att säkerställa effektiv kylning bör ett avstånd på minst 60 cm hållas mellan enhetens sidoväggar och väggen eller möbler eller gardiner.

18. På grund av anordningens begränsade prestanda, om skillnaden mellan måltemperaturen och omgivningstemperaturen är för stor, kanske måltemperaturen inte uppnås.

19. Följ följande grundläggande försiktighetsåtgärder för att minska risken för brand, elektrisk stöt eller personskador vid användning av luftkonditioneringsapparaten:

a) Anslut till ett jordat uttag med 3 stift.

b) Ta inte bort jordningsspetsen.

c) Använd inte adaptorn.

d) Använd inte en förlängningssladd.

e) Koppla bort luftkonditioneringsapparaten innan service.

f) Använd två eller flera personer för att flytta och installera luftkonditioneringsapparaten.

20. Använd inte andra medel som påskyndar avfrostnings- eller rengöringsprocessen än de som rekommenderas av tillverkaren.

21. Enheten ska förvaras i ett rum utan att ständigt använda antändningskällor, till exempel: öppen eld, gasapparater eller elektriska värmare.

FÖR FÖRSTA ANVÄNDNING - (bild E)

Anslut kontakterna till luftavgaskanalens enligt följande:

1. Förläng luftutblåsningskanalen (9) genom att dra ut kanalens två ändar.

2. Skruva in luftutblåsningskanalen (9) i anslutningen till luftavgaskanalen (10).

3. Anslut anslutningen till luftavgaskanalen (10) till enheten.

#### ANMÄRKNINGAR:

1. Håll enheten minst 1 meter från TV eller radio för att undvika elektromagnetisk störning.

Utsätt inte enheten för direkt solljus för att undvika att ytfärgen bleknar.

3. Luta inte enheten mer än 35 ° eller upp och ner under transporten. Om enheten har vänts under transport, lägg ner den korrekt och vänta 2-4 timmar innan du startar den.

4. Placera enheten på en plan yta med mindre än 5 ° lutning.

5. Enheten fungerar mer effektivt i vissa rum, välj den bästa platsen:

- Bredvid ett fönster, en dörr eller ett franskt fönster.

- Håll avståndet från returluftutloppet till väggen eller andra hinder minst 60 cm.

- Förläng luftslangen för att säkerställa att den andra änden av luftslangen har ett avstånd mellan fönsterdörren, det franska fönstret eller vägghålet.

- Luftutlopp eller intag kan inte blockeras av skyddsgaller eller något hinder.

För att förlänga enhetens livslängd, töm kondensvattnet från avloppshålet (8) innan du lägger enheten i lagring i slutet av säsongen.

#### ENHETSBESKRIVNING (bilder A och B)

1. Kontrollpanel

3. Signalreceptor

5. Transporthandtag

7. Förångarens inlopp

9. Luftavloppskanal

11. Avgasadapter för fönster

2. Utlopp för kall luft

4. Fjärrkontroll

6. Avgasrör

8. Avtappningsplugg

10. Anslutning av luftavgaskanal

#### KONTROLLPANEL (bild C)

A. Strömknapp

C. Lägesknapp

E. Knapp för timer / temperatur ned

G. Fläktens höghastighetsindikator

L. Avfuktningstilägsindikator

N. Timerknapp

S. Ställ in temperatur / timervisning

B. Fläkthastighetsknapp

D. Knapp för timer / temperatur upp

F. Fläktindikator för låg hastighet

K. Indikator för kallt läge

M. Fläktlägesindikator

R. WF - indikator för fullt vatten

W. Timerindikator

#### REMOTE CONTROLLER - bild D

Fjärrkontrollen sänder signaler till signalmottagaren (3).

Knapp "A" - apparaten startas när den är påslagen eller stoppas när den är i drift om du trycker på den här knappen.

Knapp "C" - tryck på den för att välja driftläge: "K", "L" eller "M". Lämplig indikator tänds.

Knapp "B" - tryck på den för att välja fläkthastighet i följd. Lämplig indikator tänds.

Knapp "D" / "E" - tryck för att ställa in önskad temperatur i rummet eller timern. Displayen "S" visar önskad temperatur, inte aktuell temperatur i rummet.

Knapp "N" - tryck för att ställa in tiden för automatisk avstängning och automatisk påslagning.

#### KONTROLLPANELENS ANVÄNDNING

Kallt / torrt / fläkt

1. Slå på enheten.

a) Anslut enheten och sedan piper enheten en gång.

b) Tryck på "A" -knappen så startar enheten.

c) LED -display indikerar inställd temperatur.

2. Välj driftsläge

Tryck på "C" -knappen för att välja önskat driftläge efter sekvens:

Kylningsläge "K" -> Torkläge "L" -> Fläktläge "M."

3. Justera temperaturen

Temperaturen kan ställas in inom ett område 16 ° -31 ° C. Tryck på "D" eller "E" -knappen för att öka eller minska temperaturen med 1 ° C genom att trycka en gång. Enhetens LED -panel visar måltemperaturen i 5 sekunder och visar sedan den inställda temperaturen, inte aktuell temperatur i rummet.

Efter inställning av temperaturen under kylningsläge "K", om du väljer kylningsläge "K" eller fläktläge "M" igen, indikerar LED -displayen standardmåltemperaturen 25 ° C.

#### 4. Justera fläkthastigheten

Tryck på knappen "B" för att välja önskad fläkthastighet enligt sekvens:  
Låg hastighet "F" -> Hög hastighet G

#### 5. Ström

När du trycker på "A" -knappen igen låter enheten "di" och slutar fungera.

6. Tryck på den här knappen "N" för att ställa in en timer.

Arbetsprinciper för arbetssätt:

Avfukta "L" -läget:

1. Fläkten går med låg hastighet och hastigheten kan inte justeras.

Temperaturjusteringen är inte effektiv. Enheten justerar automatiskt den inställda temperaturen till 2 ° C under rumstemperaturen när du går in i avfuktningläget.

2. När rumstemperatur  $\leq 16$  ° C inte kan avfukta, kommer fläkten att köras med låg hastighet.

**VARNING:**

När enheten används under olika fuktighetsförhållanden, bör avtappningspluggen (8) vara ständigt öppen och säkerställa konstant vattendränning. För bekväm vattendränning, använd röret som ingår i satsen.

COOL "K" -läge:

1. När rumstemperaturen är högre än inställd temperatur på kontrollpanelen, börjar kompressorn gå. Enheten kylar rummet.

2. När rumstemperaturen är lägre än inställd temperatur på kontrollpanelen, stannar kompressorn och fläkten arbetar med det ursprungliga inställda varvtalet.

Fläkt "M." -läge.

1. Fläkten går med inställd hastighet och kompressorn går inte.

2. Temperaturjusteringen är inte effektiv.

Timeroperation "N":

1. Tryck på "N" -knappen för att ställa in automatisk avstängningstid medan enheten är igång.

2. Tryck på "N" -knappen för att ställa in automatisk på -tid medan enheten är klar.

3. Tiden kan justeras inom intervallet 1 timme till 24 timmar genom att trycka på knappen "D" (+) eller "E" (-).

Lägga märke till:

Huvudkontrollkortet har minnesfunktion, när enheten är redo att köras men i stoppstatus kan huvudkontrollkortet memorera initialiseringen av arbetsläget. När du slår på enheten fungerar den som samma aktivering av arbetsläget som förra gången, du behöver inte återställa arbetsläget igen.

**FJÄRRKONTROLL**

1. Skjut bakstycket för att öppna och ta av isoleringsfilmen på batterierna.

2. Sätt i batterierna i facket med rätt sida. Batteriernas poler måste matcha tecknen "+" och "-" på fjärrkontrollen.

3. Ta ut batterierna under en längre tid.

4. För att förhindra miljöföroreningar, ta ut de använda batterierna och kassera säkerheten på lämpligt sätt.

För att styra enheten, rikta fjärrkontrollen (4) mot signalmottagaren (3). Fjärrkontrollen (4) styr enheten på 5 meters avstånd när den pekar på signalreceptorn (3) på enheten.

**SKYDDSANORDNINGAR**

Skyddsanordningen kan snubbla och stoppa apparaten i följande fall:

1. vid kylningsläge: lufttemperaturen inomhus är över 43 ° C

2. vid kylning: rumstemperatur är under 16 ° C

3. vid avfuktningläge: rumstemperatur är under 16 ° C

Om enheten körs i kylande "K" eller avfuktat "L" -läge med dörren eller fönstret öppet under en längre tid när den relativa luftfuktigheten är över 80%, kan dag droppa ner från utloppet.

Skyddsanordningen fungerar i följande fall:

1. Om du startar om enheten omedelbart efter att du har stoppat arbetet eller ändrat det valda läget under arbetet måste du vänta i 3 minuter.

2. Om kontakten har tagits bort måste enheten återgå till ursprungsläget efter omstart, TIMER ON och TIMER OFF - måste ställas in

igen.

**ANMÄRKNING:** det finns kondensvattenåtervinning dold i denna enhet. Kondensvattnet återvinner delvis mellan kondensorn och byggs in i en vattenplatta. När vattennivån stiger till den övre nivån, höjs den med flottöromkopplaren, då (W.F.) lyser hela vattennivåindikatorn "R" för att påminna dig om att tömma vattnet. Stäng av strömmen, flytta apparaten till en lämplig plats, ta bort avtappningspluggen, töm vattnet helt. Efter tömningen, sätt tillbaka avtappningspluggen (8), annars kan apparaten läcka ut och göra ditt rum blött. Om det inte dräneras 5 minuter efter att W.F. indikering på, visar displayen E4.

Om apparaten är placerad så att avloppsvatten tillåts kan du också ansluta avloppsröret till avloppsporten för att tömma vattnet. Avloppsrör läggs till i satsen, med innerdiameter 9 mm, ytterdiameter 12 mm, material: PVC.

#### Felsökning

1) Problem: Arbeta inte.

Analys:

a) kanske skyddsutlösningen eller säkringen har gått, vänta i 3 minuter och börja om igen, skyddsenheter kan hindra enheten från att fungera.

c) kanske batterierna i fjärrkontrollen är slut.

d) kanske kontakten inte är ordentligt ansluten.

2) Problem: fungerar bara en kort tid

Analys:

a) om den inställda temperaturen är nära rumstemperatur kan du sänka den inställda temperaturen.

b) kanske luftutloppet blockeras av hinder. Ta bort hindret.

3) Problem: Fungerar men svalnar inte

Analys:

a) kanske dörren eller fönstret är öppet.

b) kanske på nära avstånd finns det en annan apparat som värmer som värmare eller lampa etc.

c) luftfiltret är smutsigt, rengör det.

d) luftutlopp eller intag är blockerat.

f) inställd temperatur är för hög.

4) Problem: Vattenläckage under förflyttning.

Analys:

a) töm kondensatet innan du flyttar det.

b) Placera enheten på plan mark för att undvika vattenläckage.

5) Problem: Arbeta inte och indikatorn "W.F." för full vatten lyser

Analys:

a) dra ut gummiproppen för att tömma vatten.

b) kontakta kvalificerad servicetekniker om det ofta är i detta tillstånd.

#### Felsökning

6) Problem: Enheten startar inte.

Analys:

a) kanske inte är ansluten. Så, koppla in den.

b) kanske skador på kontakten eller uttaget. Ersätt av tjänsteleverantör.

c) kanske säkring trasig. Byt ut säkring av tjänsteleverantör (specifikation: 3,15A/250VAC).

7) Problem: Enheten stannar automatiskt.

Analys:

a) timing stängs av eller inställd temperatur nås. Starta om den eller vänta på automatisk omkoppling.

8) Problem: ingen kall luft under COOL "K" -läget.

Analys:

a) rumstemperatur är lägre än inställd temperatur. Det är ett normalt fenomen, maskinen växlar automatiskt medan rumstemperaturen är högre än den inställda temperaturen.

b) Enheten går in i frostskydd. Enheten växlar automatiskt när frostskyddet är över.

9) Problem: LED -display indikerar felkoden "E0"

Analys:

a) rumstemperaturgivare misslyckas eller skadas. Byt rumstemperaturgivare av tjänsteleverantör.

10) Problem: LED -display indikerar felkoden "E4"

Analys:

a) varning full av vatten. Töm ut vattnet.

#### STÄDNING OCH UNDERHÅLL

Enhetsunderhåll

1. Stäng av enheten först innan du kopplar från strömförsörjningen.

2. Torka av med en mjuk och torr trasa. Använd ljummet vatten under 40 ° C för att rengöra om apparaten är mycket smutsig.
3. Använd aldrig flyktiga ämnen som bensen eller poleringspulver för att rengöra enheten.

#### Underhåll av luftfilter

Det är nödvändigt att rengöra luftfiltret varannan vecka om enheten fungerar i en extremt dammig miljö. Rengör på följande sätt:

1. Stoppa först enheten, tryck upp luftfiltret (bild F).
2. Rengör och sätt tillbaka luftfiltret.
3. Om smutsen är synlig, tvätta den med en lösning av tvättmedel i ljummet vatten. Efter rengöring torka den på en skuggad och sval plats och installera sedan om den.

#### Underhåll efter säsongsbruk

1. Om enheten inte ska användas under längre tid, var noga med att dra ut gummipluggen i avloppshålet (8) för att tömma vattnet.
2. Håll apparaten igång med fläktläge endast en halv dag under en solig dag för att torka apparaten inuti och förhindra att den blir möglig.
3. Stoppa enheten och dra ut nätsladden, ta sedan ut batterierna i fjärrkontrollen och förvara enheten ordentligt.
4. Rengör luftfiltret och sätt tillbaka det.
5. Ta bort luftslangarna och förvara dem ordentligt och täck hålet ordentligt.

#### TEKNISK DATA:

Kylkapacitet vid BTU: 9000 BTU / timme

Kylkapacitet i watt: 2600 W

Energiförbrukning (kylning) W: 950 W

Volym: <= 64 dB

Luftflöde: 270 m<sup>3</sup> / h

Energiklass: A

Timer: 24 timmar

R290 kylvätskevik: max. 160 gram

Spänning 220-240V ~ 50Hz



Varning, risk för brand.

Gör INTE igenom eller bränna.

Var medveten om att köldmediet kanske inte innehåller en lukt.

Maximalt köldmediumsbelopp: 160g.



Vi sköter om miljön. Överlämna förpackningar i kartong till pappersavfall. Polyetylensäckar (PE) slängs i avfallsbehållare för plast. Man bör lämna en gammal apparat till en riktig återvinningscentral, eftersom farliga komponenter i apparaten kan orsaka fara till miljön. En elektrisk apparat bör lämnas för att minska förnyad användning av denna. Om apparaten innehåller batterier, bör man ta bort dem och lämna dem separat till återvinningscentraler.

## УКРАЇНСЬКА

### ЗАГАЛЬНІ УМОВИ БЕЗПЕКИ

### ВАЖЛИВІ ІНСТРУКЦІЇ З БЕЗКОШТОВНОСТІ ЧИТАЙТЕ ДУЖКО І ЗАБЕЗПЕЧЕННЯ ДЛЯ БУДУЩЕГО

1. Перш ніж користуватися пристроєм, прочитайте посібник з експлуатації та дотримуйтесь інструкцій, що містяться в ньому. Виробник не несе відповідальності за збитки, спричинені використанням пристрою всупереч його передбачуваному призначенню або неправильній експлуатації.
2. Пристрій призначений лише для домашнього використання. Не використовуйте для інших цілей, які не призначені за призначенням.
3. Пристрій слід підключати лише до розетки змінного струму із заземленим 220 240 В ~ 50 Гц. Для підвищення експлуатаційної безпеки кілька електричних пристроїв не повинні підключатися одночасно до одного ланцюга струму.
4. Будьте дуже обережні, коли користуєтесь пристроєм, коли діти поруч. Не дозволяйте дітям грати з пристроєм, не дозволяйте дітям або людям, незнайомим пристроєм, користуватися ним.

5. **ПОПЕРЕДЖЕННЯ:** Цим обладнанням можуть користуватися діти старше 8 років та люди з обмеженими фізичними, сенсорними або розумовими здібностями, або люди, які не мають досвіду чи знань щодо обладнання, якщо це робиться під наглядом відповідальної особи. Для їх безпеки або надано їм інформацію про безпечне користування пристроєм та знають про небезпеку його використання. Діти не повинні грати з обладнанням. Чищення та обслуговування приладу не повинно здійснюватися дітьми, якщо вони не перевищують 8 років і ці заходи проводяться під наглядом.
6. Завжди від'єднуйте шнур живлення, тримаючи розетку рукою після використання. НЕ тягніть за шнур живлення.
7. Не занурюйте кабель, вилку та весь пристрій у воду або будь-яку іншу рідину. Не піддавайте прилад атмосферним умовам (дощ, сонце тощо) і не використовуйте в умовах підвищеної вологості (ванні кімнати, вологі мобільні будинки).
8. Періодично перевіряйте стан шнура живлення. Якщо шнур живлення пошкоджений, його слід замінити в спеціалізованому ремонтному центрі, щоб уникнути небезпеки.
9. Не використовуйте прилад із пошкодженим шнуром живлення або якщо він був випав або пошкоджений будь-яким іншим способом або якщо він не працює належним чином. Не ремонтуйте пристрій самостійно, оскільки є ризик ураження електричним струмом. Віднесіть пошкоджений пристрій у відповідний сервісний центр для перевірки чи ремонту. Всі ремонти можуть проводити тільки авторизовані сервісні пункти. Неправильно виконаний ремонт може становити серйозну небезпеку для користувача.
10. Поставте прилад на прохолодну стійку поверхню, подалі від гарячих кухонних приладів, таких як: електрична плита, газовий конфорка тощо.
11. Переконайтесь, що ніщо не блокує вхід і вихід повітря в пристрій
12. Використовуйте пристрій лише на рівній поверхні, щоб запобігти розливу конденсату
13. Для забезпечення додаткового захисту доцільно встановити в електричному ланцюзі пристрій залишкового струму (RCD) з номінальним залишковим струмом, що не перевищує 30 мА. Запитайте про це електрика.
14. Регулярно чистіть повітряний фільтр. Частота очищення залежить від чистоти повітря.
15. Після вимкнення машини зачекайте принаймні 5 хвилин, перш ніж увімкнути її.
16. Не використовуйте прилад у сонячних місцях. Коли пристрій перегріється, захист від перегріву увімкнеться.
17. Для забезпечення ефективного охолодження слід зберігати відстань не менше 60 см між бічними стінками пристрою та стіною або меблями чи шторами.
18. Через обмежені показники роботи пристрою, якщо різниця між цільовою температурою та температурою навколишнього середовища занадто велика,



цільова температура може бути досягнута.

19. Щоб зменшити ризик пожежі, ураження електричним струмом або травм при користуванні кондиціонером, дотримуйтеся таких основних заходів безпеки:

- а) Підключіть до заземленої розетки за допомогою 3-х штифтів.
- б) Не знімайте заземлюючий зубчик.
- в) Не використовуйте адаптер.
- г) Не використовуйте подовжувач.
- д) Перед обслуговуванням відключіть кондиціонер.
- ф) Використовуйте двох або більше людей для переміщення та встановлення кондиціонера.

20. Не використовуйте засоби, що прискорюють процес розморожування чи очищення, крім тих, які рекомендовані виробником.

21. Пристрій слід зберігати в приміщенні без постійно діючих джерел займання, наприклад: відкритого вогню, газових приладів або електричних нагрівачів.

ПЕРЕД ПЕРШИМ ВИКОРИСТАННЯМ - (малюнок E)

Підключіть роз'єми до повітровідвідного каналу наступним чином:

1. Подовжте повітровідвідний канал (9), витягнувши два кінці повітропроводу.
2. Вкрутіть повітровідвідний канал (9) у роз'єм повітровідвідного каналу (10).
3. Підключіть роз'єм повітровідвідного каналу (10) до пристрою.

ПРИМІТКИ:

1. Тримайте пристрій як мінімум на відстані 1 метра від телевізора або радіоприймача, щоб уникнути електромагнітних перешкод.
  2. Не виставляйте пристрій під прямі сонячні промені, щоб уникнути вицвітання кольору поверхні.
  3. Не нахиляйте пристрій більше ніж на 35 ° або догори дном під час транспортування. Якщо пристрій було перевернуто під час транспортування, відкладіть його належним чином і почекайте 2-4 години, перш ніж запустити його.
  4. Розмістіть пристрій на рівній поверхні з нахилом менше 5 °.
  5. Пристрій працює більш ефективно в певних місцях кімнати, виберіть найкраще місце:
    - Біля вікна, дверей або французького вікна.
    - Тримайте необхідну відстань від виходу зворотного повітря до стіни або інших перешкод не менше 60 см.
    - Подовжте повітряний шланг, щоб переконатися, що інший кінець повітряного шланга має зазор між дверцятами вікна, французьким вікном або отвором у стіні.
    - Вихід або впуск повітря не можна перекрити захисною сіткою або будь-якою перешкодою.
- Щоб продовжити термін служби агрегату, злийте конденсат із зливного отвору (8) перед тим, як покласти пристрій на зберігання в кінці сезону.

ОПИС ПРИСТРОЮ (зображення A та B)

- |                                    |  |
|------------------------------------|--|
| 1. Панель управління               | 2. Випуск холодного повітря            |
| 3. Приймач сигналу                 | 4. Пульт дистанційного керування       |
| 5. Транспортна ручка               | 6. Витяжний канал                      |
| 7. Вхідний отвір випарника         | 8. Зливна пробка                       |
| 9. Повітровідвідний канал          | 10. З'єднувач повітровідвідного каналу |
| 11. Перехідник для витяжного вікна |  |

ПАНЕЛЬ УПРАВЛІННЯ (малюнок C)

- |   |  |
|---|--|
| A. Кнопка живлення                            | B. Кнопка швидкості вентилятора            |
| C. Кнопка режиму                              | D. Кнопка таймера / підвищення температури |
| E. Кнопка таймера / зниження температури      | F. Індикатор низької швидкості вентилятора |
| G. Індикатор швидкості вентилятора            | K. Індикатор режиму охолодження            |
| L. Індикатор режиму осушення повітря          | M. Індикатор режиму вентилятора            |
| N. Кнопка таймера                             | R. WF - індикатор заповнення води          |
| S. Встановіть температуру / Індикатор таймера | W. Індикатор таймера                       |

## ДИСТАНЦІЙНИЙ КОНТРОЛЕР - зображення D

Пульт дистанційного керування передає сигнали на приймач сигналу (3).

Кнопка "А" - пристрій буде запускатися, коли він буде під напругою, або зупиниться під час роботи, якщо натиснути цю кнопку.

Кнопка "С" - натисніть її, щоб вибрати режим роботи: "К", "L" або "М". Відповідний індикатор засвітиться.

Кнопка "В" - натисніть її, щоб послідовно вибрати швидкість вентилятора. Відповідний індикатор засвітиться.

Кнопка "D" / "E" - натисніть, щоб встановити бажану температуру в кімнаті або таймер. Дисплей "S" покаже бажану температуру, а не температуру в приміщенні.

Кнопка "N" - натисніть, щоб встановити час автоматичного вимкнення та автоматичного включення.

## РОБОТА ПАНЕЛЯ УПРАВЛІННЯ

### ОХЛАЖДЕННЯ / СУХОГО / ВЕНТИЛЯТОР

1. Увімкніть пристрій.

а) Підключіть пристрій, а потім пристрій подасть один звуковий сигнал.

б) Натисніть кнопку "А", після чого пристрій увімкнеться.

в) Світлодіодний дисплей покаже встановлену температуру.

2. Виберіть режим роботи

Натисніть кнопку "С", щоб вибрати потрібний режим роботи за послідовністю:

Режим охолодження "К" -> режим сушіння "L" -> режим вентилятора "М."

3. Відрегулюйте температуру

Температуру можна встановити в діапазоні 16 ° -31 ° С. Натисніть кнопку "D" або "E", щоб збільшити або зменшити температуру на 1 ° С, натиснувши один раз. Світлодіодна панель пристрою покаже цільову температуру протягом 5 секунд, а потім відображає встановлену температуру, а не температуру в кімнаті.

Після встановлення температури в режимі охолодження "К", якщо Ви знову виберете режим охолодження "К" або режим Вентилятора "М", то світлодіодний дисплей покаже стандартну задану температуру 25 ° С.

4. Відрегулюйте швидкість вентилятора

Натисніть кнопку "В", щоб вибрати потрібну швидкість вентилятора, показану за послідовністю:

Низька швидкість "F" -> Висока швидкість G

5. Потужність

При повторному натисканні кнопки "А" пристрій пролунає "di" і перестане працювати.

6. Натисніть цю кнопку "N", щоб встановити таймер.

Режими роботи:

Режим осушення "L":

1. Вентилятор буде працювати на низькій швидкості, і швидкість не можна регулювати.

Регулювання температури неефективне. Пристрій автоматично регулює встановлену температуру на 2 ° С нижче кімнатної температури при переході в режим осушення.

2. Коли кімнатна температура  $\leq 16$  ° С не може осушуватись, вентилятор працюватиме на низькій швидкості.

УВАГА:

При експлуатації пристрою в умовах різної вологості зливна пробка (8) повинна бути постійно відкрита і забезпечувати постійний злив води. Для зручного зливу води використовуйте трубку, що входить до комплекту.

ХОЛОДНИЙ режим "К":

1. Коли температура в кімнаті перевищує встановлену температуру на панелі управління, компресор починає працювати.

Прилад охолоджує приміщення.

2. Коли температура в приміщенні нижче встановленої температури на панелі управління, компресор зупиняється, а вентилятор працює з початково встановленою швидкістю.

Режим вентилятора "М".

1. Вентилятор працює з встановленою швидкістю, а компресор не працює.

2. Регулювання температури неефективне.

## ОЧИЩЕННЯ ТА ОБСЛУГОВУВАННЯ

Технічне обслуговування пристрою

1. Перш ніж відключати джерело живлення, вимкніть пристрій.
2. Протріть м'якою і сухою ганчіркою. Для чищення приладу використовуйте теплу воду нижче 40 ° С.
3. Ніколи не використовуйте для очищення пристрою леткі речовини, такі як бензин або полірувальний порошок.

#### Технічне обслуговування повітряного фільтра

Потрібно очищати повітряний фільтр кожні 2 тижні, якщо пристрій працює в надзвичайно запиленому середовищі. Очистіть таким чином:

1. Спочатку зупиніть пристрій, підніміть повітряний фільтр вгору (Малюнок F).
2. Очистіть та встановіть повітряний фільтр.
3. Якщо бруд помітний, промийте його розчином м'якого засобу в теплій воді. Після чищення висушіть його в затіненому і прохолодному місці, а потім встановіть на місце.

#### Технічне обслуговування після сезонного використання

1. Якщо пристрій не буде працювати протягом тривалого часу, обов'язково витягніть гумову пробку зливного отвору (8), щоб злити воду.
2. Тримайте прилад у режимі вентилятора лише півдня протягом сонячного дня, щоб висушити прилад всередині та запобігти цвілю.
3. Вимкніть пристрій і витягніть штекер шнура живлення, потім вийміть батареї пульта дистанційного керування та зберігайте пристрій належним чином.
4. Очистіть повітряний фільтр і встановіть його на місце.
5. Зніміть повітряні шланги та зберігайте їх належним чином, а отвір щільно закрийте.

#### ТЕХНІЧНІ ДАНІ:

Потужність охолодження на ВТУ: 9000 BTU / год

Потужність охолодження у ватах: 2600 Вт

Споживання енергії (охолодження) Вт: 950 Вт

Гучність: <= 64 дБ

Потік повітря: 270 м<sup>3</sup> / год

Енергетичний клас: А

Таймер: 24 години

Вага охолоджуючої рідини R290: макс. 160 грам

Напруга 220-240В ~ 50Гц



Обережність, небезпека пожежі. НЕ проколюйте та не горіть. Майте на увазі, що холодоагент може не містити запаху. Максимальна кількість заряду холодоагенту: 160г.

У інтересах навколишнього середовища.



Будь ласка, віддайте картонну упаковку в місце збору мукулатури. Поліетиленові мішки (PE) викинути в смітник для пластику. Відпрацьований пристрій повинен бути відправлений у відповідну точку зберігання, тому що в пристрої є небезпечні інгредієнти, які можуть становити загрозу навколишньому середовищу. Електричний пристрій потрібно повернути так, щоб обмежити його повторне використання. Якщо у пристрої є батареї, то потрібно їх витягнути і віддати до відповідного пункту.

македонски

## ОПШТИ УСЛОВИ ЗА БЕЗБЕДНОСТ

ВАНИ ИНСТРУКЦИИ ЗА БЕЗБЕДНОСТ ПРОЧИТАЈТЕ Внимателно и заштедете за ИДНИНА

1. Пред да го користите уредот, прочитајте го упатството за работа и следете ги упатствата содржани во него. Производителот не одговара за штети предизвикани од користење на уредот спротивно на наменетата намена или неправилно работење.
2. Уредот е само за домашна употреба. Не користете за други цели што не се за наменетата цел.
3. Уредот треба да се поврзе само со штекер за напојување со заземјен 220 240V

~ 50Hz. За да се зголеми безбедноста во работењето, повеќе електрични уреди не треба да бидат поврзани со едно струјно коло во исто време.

4. Користете голема претпазливост кога го користите уредот кога децата се во близина. Не дозволувајте децата да си играат со уредот, не дозволувајте деца или луѓе кои не се запознати со уредот да го користат.

5. ПРЕДУПРЕДУВАЕ: Оваа опрема може да ја користат деца над 8 години и лица со ограничена физичка, сензорна или ментална способност, или луѓе кои немаат искуство или познавање на опремата, доколку тоа е направено под надзор на одговорно лице за нивната безбедност или им е дадена информација за безбедно користење на уредот и се свесни за опасностите од неговото користење. Децата не треба да си играат со опрема. Чистењето и одржувањето на уредот не треба да го вршат деца, освен ако не се над 8 години и овие активности се вршат под надзор.

6. Секогаш исклучувајте го приклучокот за напојување со држење на штекерот со раката по употребата. НЕ влечете го кабелот за напојување.

7. Не го потовајте кабелот, приклучокот и целиот уред во вода или друга течност. Не го изложувајте го уредот на атмосферски услови (дожд, сонце и слично) или користете во услови на висока влажност (бањи, влажни домови за мобилни телефони).

8. Периодично проверувајте ја состојбата на кабелот за напојување. Ако кабелот за напојување е оштетен, тој треба да се замени со специјализирана продавница за поправка за да се избегне опасност.

9. Не користете го апаратот со оштетен кабел за напојување или ако е испуштен или оштетен на кој било друг начин или ако не работи правилно. Не поправајте го уредот сами, бидејќи постои опасност од електричен удар. Понесете го оштетениот уред во соодветен сервисен центар за проверка или поправка. Сите поправки може да ги извршуваат само овластени сервисни точки. Неправилно извршените поправки можат да предизвикаат сериозна опасност за корисникот.

10. Поставете го уредот на ладна, стабилна површина, подалеку од топли кујнски уреди како што се: електричен шпорет, горилник за гас, итн.

11. Осигурете се дека ништо не го блокира влезот на воздухот и излезот на уредот

12. Користете го уредот само на рамна површина за да спречите излевање на кондензацијата

13. За да се обезбеди дополнителна заштита, препорачливо е да се инсталира уред за преостаната струја (RCD) во електричното коло со номинална преостаната струја што не надминува 30mA. За ова прашајте електричар.

14. Редовно чистете го филтерот за воздух. Фреквенцијата на чистење зависи од чистотата на воздухот.

15. Откако ќе ја исклучите машината, почекајте најмалку 5 минути пред да ја вклучите повторно.

16. Не користете го уредот на сончеви места. Кога уредот се прегрее, заштитата од

прегревање ќе се вклучи уредот.

17. За да се обезбеди ефикасно ладење, треба да се чува растојание од најмалку 60 см помеѓу страничните wallsидови на уредот и theидот или мебелот или завесите.

18. Поради ограничената изведба на уредот, ако разликата помеѓу целната температура и температурата на околината е премногу голема, не може да се постигне целта.

19. За да го намалите ризикот од пожар, електричен удар или повреда при употреба на климатик, почитувајте ги следниве основни мерки на претпазливост:

а) Поврзете се со заземјен штекер со 3 пина.

б) Не отстранувајте го заземјувачот.

в) Не користете го адаптерот.

г) Не користете продолжен кабел.

д) Исклучете го клима уредот пред сервисирање.

ѓ) Користете две или повеќе лица за да го преместите и инсталирате климатизерот.

20. Не користете средства што го забрзуваат процесот на одмрзнување или чистење, освен оние препорачани од производителот.

21. Уредот треба да се чува во просторија без постојано да работи извор на палење, на пример: отворен оган, гасни апарати или електрични грејачи.

#### ПРЕД ПРВАТА УПОТРЕБА - (слика Е)

Поврзете ги конекторите со издувниот канал за воздух на следниов начин:

1. Продолжете го издувниот канал за воздух (9) извлекувајќи ги двата краја на каналот.
2. Зашрафете го издувниот канал за воздух (9) во конекторот на издувниот канал за воздух (10).
3. Поврзете го конекторот на издувниот канал за воздух (10) со уредот.

#### ЗАБЕЛЕШКИ:

1. Чувајте го уредот најмалку 1 метар подалеку од ТВ или радија за да избегнете електромагнетни пречки.
  2. Не изложувајте го уредот под директна сончева светлина за да избегнете избледување на бојата на површината.
  3. Не навалувајте го уредот повеќе од 35 ° или наопаку за време на транспортот. Ако уредот е превртен за време на транспортот, спуштете го правилно и почекајте 2-4 часа пред да го стартувате.
  4. Ставете го уредот на рамна површина со наклон помал од 5 °.
  5. Единицата работи поефикасно на одредени локации за простории, изберете ја најдобрата локација:
    - Покрај прозорец, врата или француски прозорец.
    - Одржувајте го потребното растојание од излезот на повратниот воздух до wallидот или други пречки најмалку 60 см.
    - Продолжете го цреволото за воздух за да се осигурате дека на другиот крај на цреволото за воздух има отвор помеѓу вратата на прозорецот, или прозорецот од прозорецот, или wallидната дупка.
    - Излезот или внесот на воздух не може да се блокираат со заштитна мрежа или каква било пречка.
- За да го продолжите животот на уредот, исцедете ја кондензираната вода од отворот за одвод (8) пред да го ставите уредот во складиште на крајот на сезоната.

#### ОПИС НА УРЕДОТ (слики А и Б)

- |   |  |
|---|--|
| 1. Контролна табла                          | 2. Излез за ладен воздух               |
| 3. Рецептор на сигнал                       | 4. Далечински управувач                |
| 5. Рачка за транспорт                       | 6. Издувен канал                       |
| 7. Влез за испарувач                        | 8. Приклучок за одвод                  |
| 9. Воздушен издувен канал                   | 10. Конектор на воздушен издувен канал |
| 11. Адаптер за издувни гасови на прозорецот |  |

## ПАНЕЛ ЗА КОНТРОЛА (слика В)

- A. Копче за вклучување
- C. Копче за режим
- E. Тајмер / копче за намалување на температурата
- G. Индикатор за голема брзина на вентилаторот
- L. Индикатор за режим за одvlaжување
- N. Копче за тајмер
- S. Поставете температура / приказ на тајмер
- B. Копче за брзина на вентилаторот
- D. Копче за тајмер / температура
- F. Индикатор за мала брзина на вентилаторот
- K. Индикатор за режим на ладење
- M. Индикатор за режим на вентилатор
- R. WF - индикатор за полна вода
- W. Индикатор за тајмер

## ДАЛЕЧНИ КОНТРОЛЕР - слика Д

Далечинскиот управувач пренесува сигнали до приемникот на сигналот (3).

Копче „А“ - апаратот ќе се вклучи кога е под напон или ќе се запре кога работи, доколку го притиснете ова копче.

Копче „С“ - притиснете го за да изберете режим на работа: „К“, „L“ или „М“. Itablee се запали соодветен индикатор.

Копче „В“ - притиснете го за да ја изберете брзината на вентилаторот во низа. Itablee се запали соодветниот индикатор.

Копче „D“ / „E“ - притиснете за да ја поставите саканата температура во просторијата или тајмерот. Екранот „S“ ја прикажува саканата температура, а не температурата во просторијата.

Копче „N“ - притиснете за да го поставите времето на автоматско исклучување и автоматско вклучување.

## РАБОТА НА КАНТРОЛЕН ПАНЕЛ

### ОТВРДЕН / СУВА / Вентилатор

1. Вклучете го уредот.

- a) Поврзете го уредот и потоа уредот ќе работи еднаш.
- б) Притиснете го копчето „А“, а потоа уредот ќе се вклучи.
- в) LED дисплејот ја покажува поставената температура.

2. Изберете режим на работа

Притиснете го копчето „С“ за да го изберете саканиот начин на работа по редослед:

Режим на ладење „К“ -> Режим на сушење „L“ -> Режим на вентилатор „М“

3. Прилагодете ја температурата

Температурата може да се постави во опсег од 16 ° -31 ° C. Притиснете го копчето „D“ или „E“ за да ја зголемите или намалите температурата за 1 ° C со притискање еднаш. LED панелот на уредот ја покажува целната температура 5 секунди и потоа ја прикажува поставената температура, а не присутна температура во просторијата.

Откако ќе ја поставите температурата под режимот за ладење „К“, ако повторно изберете режим за ладење „К“ или режим на вентилатор „М“, тогаш LED дисплејот ја означува стандардната целна температура 25 ° C.

4. Прилагодете ја брзината на вентилаторот

Притиснете го копчето „B“ за да ја изберете саканата брзина на вентилаторот по редослед:

Ниска брзина „F“ -> Голема брзина G

5. Моќност

Кога повторно ќе го притиснете копчето „А“, уредот ќе звучи „ди“ и ќе престане да работи.

6. Притиснете го ова копче „N“ за да поставите тајмер.

Начини на работа принципи:

Одvlажнете го режимот „L“:

1. Вентилаторот ќе работи со мала брзина и брзината не може да се прилагоди.

Прилагодувањето на температурата не е ефикасно. Уредот автоматски ја прилагодува поставената температура на 2 ° C под собна температура кога влегувате во режим на одvlaжување.

2. Кога собна температура  $\leq 16$  °C, не може да се одvlажни, вентилаторот работи со мала брзина.

### ПРЕДУПРЕДУВАЕ:

Кога работите со уредот во услови на различна влажност, приклучокот за одвод (8) треба да биде постојано отворен и да обезбедува постојана дренажа на вода. За удобно одводнување на вода, користете ја цевката вклучена во комплетот.

Режим на ладење „К“:

1. Кога температурата во просторијата е повисока од поставената температура на контролната табла, компресорот почнува да работи. Уредот ја лади просторијата.

2. Кога температурата во просторијата е пониска од поставената температура на контролната табла, компресорот застанува и вентилаторот работи со првобитната поставена брзина.

Режим на вентилатор "M".

1. Вентилаторот работи со поставена брзина, а компресорот не работи.
2. Прилагодувањето на температурата не е ефикасно.

Работа на тајмер "N":

1. Притиснете го копчето „N“ за да поставите време за автоматско исклучување додека уредот работи.
2. Притиснете го копчето „N“ за да поставите Автоматско вклучување на време додека уредот е подготвен.
3. Времето може да се прилагоди во опсег од 1 час до 24 часа со притискање на копчето "D+" или "E-").

Забелешка:

Главната контролна табла има мемориска функција, кога уредот е подготвен за работа, но во статус на стоп, главната контролна табла може да запамети иницијализација на режимот на работа. Кога ќе го вклучите уредот, тој ќе работи како истиот режим на работа како и минатиот пат, нема потреба повторно да го ресетираат работниот режим.

#### ДАЛЕЧИНСКИ УПРАВУВАЧ

1. Лизнете го задниот капак за да се отвори и извадете го изолациониот филм на батериите.
2. Вметнете ги батериите во одделот со правилната страна. Половите на батериите мора да одговараат на знаците "+" и "-" на далечинскиот управувач.
3. Долго време без употреба, извадете ги батериите.
4. За да спречите загадување на животната средина, извадете ги искористените батерии и фрлете ја безбедноста и соодветно.

За да ракувате со уредот, насочете го далечинскиот управувач (4) кон рецепторот за сигнал (3). Далечинскиот управувач (4) ќе работи со уредот на растојание од 5 метри кога покажува на рецепторот за сигнал (3) на уредот.

#### ЗАШТИТНИ УРЕДИ

Заштитниот уред може да го сопне и запре апаратот во случаите наведени подолу:

1. во режим на ладење: температурата на воздухот во затворен простор е над 43 ° C
2. во режим на ладење: собната температура е под 16 ° C
3. во режим на одvlaжување: собната температура е под 16 ° C

Ако уредот работи во режим на ладење „K“ или го одvlaжува режимот „L“ со отворена врата или прозорец долго време кога релативната влажност е над 80%, може да капе роса од штекерот.

Заштитниот уред работи во следниве случаи:

1. Рестартирање на уредот веднаш по запирање на работата или промена на избраниот режим додека работите, мора да почекате 3 минути.
2. Ако приклучокот е отстранет, по рестартирање уредот ќе се врати во првобитниот режим, ВРЕМЕТО ВРЕМЕ и ТАЈМЕР ИСКЛУЧУВАЕ - мора повторно да се постават.

**ЗАБЕЛЕШКА:** во овој уред се крие рециклирање на кондензирачка вода. Водата за кондензација делумно се рециклира помош кондензаторот и се вградува во чинија со вода. Кога нивото на водата се искачува на горното ниво, се крева со помош на пливачкиот прекинувач, потоа (В.Ф.) се пали индикаторот за целосна ниво на вода „R“ за да ве потсети да ја исцедите водата. Прекинете го напојувањето, преместете го апаратот на соодветно место, извадете го приклучокот за одвод, исцедете ја водата целосно. По одводот, повторно инсталирајте го приклучокот за одвод (8), инаку апаратот може да истече и да ја навлажни вашата соба. Ако не се исцеди 5 минути по W.F. индикација вклучена, на екранот ќе се прикаже E4.

Ако апаратот е поставен во позиција што дозволува испуштање вода, можете исто така да ја поврзете цевката за одвод со одводот за да ја исцедите водата. Додадена цевка се додава во комплетот, со внатрешен дијаметар 9мм, надворешен дијаметар 12мм, материјал: ПВХ.

Смена на проблеми

1) Проблеми: Не работи.

Анализа:

- a) можеби патувањето или осигурувачот се разнесени, ве молиме почекajte 3 минути и повторно стартувајте, заштитниот уред може да го спречува уредот да работи.
  - в) можеби батериите во далечинскиот управувач се исцрпени.
  - г) можеби приклучокот не е правилно вклучен.
- 2) Проблеми: работи само за кратко време

Анализа:

а) ако поставената температура е близу до собна температура, можете да ја намалите поставената температура.

б) можеби излезот на воздухот е блокиран со пречка. Тргнете ја пречката.

3) Проблеми: Работи, но не се лади

Анализа:

а) можеби вратата или прозорецот се отворени.

б) можеби во непосредна близина има друг апарат што работи на топлина како грејач или светилка, итн.

в) филтерот за воздух е валкан, исчистете го.

г) излезот или внесот на воздух е блокиран.

ѓ) поставената температура е премногу висока.

4) Проблем: Истекување на вода при движење.

Анализа:

а) исцедете го кондензатот пред да се преместите.

б) за да избегнете истекување на вода, ве молиме лоцирајте го уредот на рамна земја.

5) Проблем: Не работете и вклучете го индикаторот за напојување „W.F“

Анализа:

а) извлекете гумен приклучок за да исцедите вода.

б) ако е често во оваа состојба, контактирајте со квалификуван технички сервис.

Смена на проблеми

6) Проблем: Уредот не се стартува.

Анализа:

а) можеби не е вклучен. Значи, вклучете го.

б) можеби оштетување на приклучокот или штекерот. Заменете го од страна на давателот на услугата.

в) можеби расипан осигурувач. Заменете го осигурувачот од страна на давателот на услугата (спецификација: 3,15A/250VAC).

7) Проблем: уредот автоматски запира.

Анализа:

а) затворање на времето или постигнување на поставената температура. Рестартирајте го или почекајте автоматско префрлување.

8) Проблем: нема ладен воздух под режим COOL "K".

Анализа:

а) собната температура е пониска од поставената температура. Тоа е нормален феномен, машината автоматски ќе се префрли додека температурата во просторијата е повисока од поставената температура.

б) Уредот влегува во заштита од мраз. Уредот автоматски ќе се префрли откако ќе заврши заштитата од мраз.

9) Проблем: LED дисплејот означува неуспешен код „E0“

Анализа:

а) сензорот за собна температура не успеа или се оштети. Заменете го сензорот за собна температура од страна на давателот на услугата.

10) Проблем: LED дисплејот означува неуспешен код „E4“

Анализа:

а) предупредување полно со вода. Исцедете ја водата.

## ЧИСТЕЕ И ОДРУВАЕ

Одржување на уредот

1. Исклучете го уредот прво пред да се исклучите од напојување.

2. Избришете со мека и сува крпа. Користете млака вода под 40 ° C за чистење ако апаратот е многу валкан.

3. Никогаш не користете испарливи материи како што се бензин или прашок за полирање за чистење на уредот.

Одржување на филтерот за воздух

Неопходно е да го чистите филтерот за воздух на секои 2 недели, ако уредот работи во екстремно прашлива средина.

Исчистете на следниов начин:

1. Прво запрете го уредот, турнете го филтерот за воздух нагоре (Слика F).

2. Исчистете го и повторно инсталирајте го филтерот за воздух.

3. Ако нечистотијата е видлива, измијте ја со раствор од детергент во млака вода. По чистењето исушете го на засенчено и ладно место, а потоа повторно инсталирајте го.

Одржување по сезонска употреба

1. Ако уредот нема да се користи подолго време, внимавајте да го извадите гумениот приклучок од отворот за одвод (8) за да ја исцедите водата.

2. Чувајте го апаратот да работи со режим на вентилатор само половина ден во текот на еден сончев ден за да го исушите апаратот внатре и да спречите мувлосување.



3. Запрете го уредот и извлекете го приклучокот од кабелот за напојување, потоа извадете ги батериите на далечинскиот управувач и складирајте го уредот правилно.
4. Исчистете го филтерот за воздух и повторно инсталирајте го.
5. Отстранете ги цревата за воздух и чувајте ги правилно, и цврсто покријте ја дупката.

#### ТЕХНИЧКИ ПОДАТОЦИ:

Капацитет на ладење на BTU: 9000 BTU / час  
Капацитет на ладење во вати: 2600 W  
Потрошувачка на енергија (ладење) W: 950 W  
Волумен: <= 64 dB  
Проток на воздух: 270 m<sup>3</sup> / h  
Енергетска класа: A  
Тајмер: 24 часа  
R290 тежина на течноста за ладење: макс. 160 грама  
Напон 220-240V ~ 50Hz



Внимание, ризик од пожар.  
НЕ пирснувајте или изгорувајте.  
Бидете свесни дека ладилното средство може да не содржи мирис.  
Максимална количина на полнење за ладење: 160g.



Се грижime за природната средина. Картонските паковки молиме да се наменат за рециклирање. Полиетиленовите кеси (PE) да се фрлат во контејнер за пластика. Искористениот уред треба да се предаде во соодветниот складирачки пункт, бидејќи небезбедните состојки кои се наоѓаат во уредот можат да бидат загрозување за средината. Електричниот уред треба да се предаде на начин кој ќе оневозможи негова повторна употреба и искористување. Доколку во уредот има батерии, треба да се извадат и посебно да се предадат во складирачкиот пункт.

## SLOVENSKY

### VŠEOBECNÉ BEZPEČNOSTNÉ PODMIENKY DŮLEŽITÉ BEZPEČNOSTNÉ POKYNY ČÍTAJTE POZORNE A ULOŽTE DO BUDÚCNOSTI

1. Pred použitím zariadenia si prečítajte návod na obsluhu a postupujte podľa pokynov v ňom uvedených. Výrobca nezodpovedá za škody spôsobené používaním zariadenia v rozpore s jeho určeným účelom alebo nesprávnou obsluhou.
2. Zariadenie je určené iba na domáce použitie. Nepoužívajte na iné účely, než na ktoré sú určené.
3. Zariadenie by malo byť pripojené iba k sieťovej zásuvke s uzemneným 220 240 V ~ 50 Hz. Z dôvodu zvýšenia prevádzkovej bezpečnosti by viac elektrických zariadení nemalo byť pripojené k jednému prúdovému obvodu súčasne.
4. Pri používaní zariadenia, keď sú deti v blízkosti, buďte veľmi opatrní. Nedovoľte deťom hrať sa so zariadením, nedovoľte deťom ani osobám oboznámeným so zariadením používať.
5. **VÝSTRAHA:** Toto zariadenie môžu používať deti staršie ako 8 rokov a ľudia s obmedzenými fyzickými, zmyslovými alebo mentálnymi schopnosťami alebo ľudia, ktorí nemajú skúsenosti s týmto vybavením, ak sa to deje pod dohľadom zodpovednej osoby, pre svoju bezpečnosť alebo im boli poskytnuté informácie o bezpečnom používaní pomôcky a sú si vedomí nebezpečenstva pri jej používaní. Deti by sa s týmto zariadením nemali hrať. Čistenie a údržba prístroja by nemali vykonávať deti, pokiaľ nie sú staršie ako 8 rokov a tieto činnosti sa vykonávajú pod dohľadom.
6. Po použití vždy odpojte sieťovú zástrčku tak, že budete držať zásuvku rukou.

NEVYŤAHUJTE napájací kábel.

7. Kábel, zástrčku a celé zariadenie neponárajte do vody ani inej kvapaliny. Nevystavujte zariadenie poveternostným vplyvom (dážď, slnko atď.) Ani ho nepoužívajte v podmienkach vysokej vlhkosti (kúpeľne, vlhké mobilné domy).
8. Pravidelne kontrolujte stav napájacieho kábla. Ak je napájací kábel poškodený, mal by sa vymeniť v odbornom servise, aby sa predišlo nebezpečenstvu.
9. Nepoužívajte spotrebič s poškodeným napájacím káblom alebo ak spadol alebo je poškodený iným spôsobom alebo ak nefunguje správne. Neopravujte prístroj sami, mohlo by dôjsť k úrazu elektrickým prúdom. Poškodené zariadenie odneste na kontrolu alebo opravu do príslušného servisného strediska. Všetky opravy smie vykonávať iba autorizovaný servis. Nesprávne vykonané opravy môžu pre používateľa predstavovať vážne nebezpečenstvo.
10. Zariadenie umiestnite na chladný a stabilný povrch, mimo dosahu horúcich kuchynských spotrebičov, ako sú: elektrický sporák, plynový horák atď.
11. Skontrolujte, či nič neblokuje vstup a výstup vzduchu zo zariadenia
12. Používajte zariadenie iba na rovnom povrchu, aby sa zabránilo vylitiu kondenzátu
13. Na zabezpečenie dodatočnej ochrany sa odporúča nainštalovať do elektrického obvodu zariadenie na zvyškový prúd (RCD) s menovitým zvyškovým prúdom nepresahujúcim 30 mA. Požiadajte o to elektrikára.
14. Pravidelne čistite vzduchový filter. Frekvencia čistenia závisí od čistoty vzduchu.
15. Po vypnutí stroja počkajte aspoň 5 minút, kým ho znova zapnete.
16. Nepoužívajte zariadenie na slnečných miestach. Keď sa zariadenie prehrieva, zapne sa ochrana pred prehriatím.
17. Na zabezpečenie účinného chladenia by sa medzi bočnými stenami zariadenia a stenou alebo nábytkom alebo záclonami mala udržiavať vzdialenosť najmenej 60 cm.
18. Vzhľadom na obmedzený výkon zariadenia, ak je rozdiel medzi cieľovou teplotou a okolitú teplotou príliš veľký, cieľová teplota sa nemusí dosiahnuť.
19. Aby ste znížili riziko požiaru, úrazu elektrickým prúdom alebo zranenia pri používaní klimatizácie, dodržiavajte tieto základné bezpečnostné opatrenia:
  - a) Pripojte k uzemnenej zásuvke pomocou 3 pinov.
  - b) Nevyberajte uzemňovací kolík.
  - c) Nepoužívajte adaptér.
  - d) Nepoužívajte predlžovací kábel.
  - e) Pred servisom odpojte klimatizačnú jednotku.
  - f) Na premiestnenie a inštaláciu klimatizácie použite dve alebo viac osôb.
20. Nepoužívajte iné prostriedky, ktoré urýchľujú proces rozmrazovania alebo čistenia, iné ako tie, ktoré odporúča výrobca.
21. Zariadenie by sa malo skladovať v miestnosti bez neustáleho fungovania zdrojov zapálenia, napríklad: otvorený oheň, plynové spotrebiče alebo elektrické ohrievače.

PRED PRVÝM POUŽITÍM - (obrázok E)

Pripojte konektory k potrubiu na odvod vzduchu nasledovne:

1. Predĺžte potrubie na odvod vzduchu (9) vyťahnutím dvoch koncov potrubia.
2. Zaskrutkujte potrubie na odvod vzduchu (9) do konektora potrubia na odvod vzduchu (10).
3. Pripojte konektor výfukového potrubia (10) k zariadeniu.

#### POZNÁMKY:

1. Udržujte zariadenie najmenej 1 meter od televízora alebo rádia, aby ste predišli elektromagnetickému rušeniu.
  2. Nevystavujte jednotku priamemu slnečnému svetlu, aby nedošlo k vyblednutiu farby povrchu.
  3. Počas prepravy nenakláňajte jednotku o viac ako 35 ° alebo naopak. Ak bolo zariadenie počas prepravy prevrátené, správne ho položte a počkajte 2-4 hodiny, než ho spustíte.
  4. Položte zariadenie na rovný povrch so sklonom menším ako 5 °.
  5. Jednotka funguje efektívnejšie v určitých miestnostiach, vyberte najlepšie umiestnenie:
    - Vedľa okna, dverí alebo francúzskeho okna.
    - Udržujte požadovanú vzdialenosť od výstupu spätného vzduchu k stene alebo iným prekážkam najmenej 60 cm.
    - Predĺžte vzduchovú hadicu tak, aby bol na druhom konci vzduchovej hadice voľný priestor medzi dverami okna alebo francúzskym oknom alebo otvorom v stene.
    - Výstup alebo prívod vzduchu nemožno zablokovať ochrannou mriežkou alebo prekážkou.
- Aby ste predĺžili životnosť jednotky, vypustíte kondenzovanú vodu z odtokového otvoru (8) pred tým, ako ju na konci sezóny uskladníte.

#### POPIS ZARIADENIA (obrázky A a B)

- |                            |  |
|----------------------------|--|
| 1. Ovládací panel          | 2. Výstup studeného vzduchu                  |
| 3. Prijímač signálu        | 4. Diaľkový ovládač                          |
| 5. Transportná rukoväť     | 6. Výfukové potrubie                         |
| 7. Vstup výparníka         | 8. Vypúšťacia zátka                          |
| 9. Odvodný vzduchový kanál | 10. Konektor výfukového vzduchového potrubia |
| 11. Adaptér výfuku okna    |  |

#### OVLÁDACÍ PANEL (obrázok C)

- |   |   |
|---|---|
| A. Vypínač                                  | B. Tlačidlo rýchlosti ventilátora       |
| C. Tlačidlo režimu                          | D. Tlačidlo časovača / zvýšenia teploty |
| E. Tlačidlo časovača / zníženia teploty     | F. Indikátor nízkych otáčok ventilátora |
| G. Indikátor vysokej rýchlosti ventilátora  | K. Indikátor režimu chladenia           |
| L. Indikátor režimu odvlhčovania            | M. Indikátor režimu ventilátora         |
| N. Tlačidlo časovača                        | R. WF - indikátor plnej vody            |
| S. Zobrazenie nastavenej teploty / časovača | W. Indikátor časovača                   |

#### DIAĽKOVÝ OVLÁDAČ - obrázok D

Diaľkový ovládač prenáša signály do prijímača signálu (3).

Tlačidlo „A“ - spotrebič sa spustí, keď je pod napätím, alebo sa zastaví, keď je v prevádzke, ak stlačíte toto tlačidlo.

Tlačidlo „C“ - stlačením ho vyberiete režim prevádzky: „K“, „L“ alebo „M“. Rozsvieti sa vhodný indikátor.

Tlačidlo „B“ - stlačením ho postupne zvolíte rýchlosť ventilátora. Rozsvieti sa vhodný indikátor.

Tlačidlo „D“ / „E“ - stlačením nastavíte požadovanú teplotu v miestnosti alebo časovač. Displej „S“ zobrazuje požadovanú teplotu, nie aktuálnu teplotu v miestnosti.

Tlačidlo „N“ - stlačením nastavíte čas automatického vypnutia a automatického zapnutia.

#### PREVÁDZKA OVLÁDACIEHO PANELU

##### CHLADNÝ / SUCHÝ / VENTILÁTOR

1. Zapnite zariadenie.

- a) Pripojte zariadenie a potom zariadenie pípne.
- b) Stlačte tlačidlo "A", potom sa zariadenie zapne.
- c) LED displej zobrazuje nastavenú teplotu.

2. Vyberte prevádzkový režim

Stlačením tlačidla „C“ postupne zvolte požadovaný režim prevádzky:

Režim chladenia "K" -> Režim sušenia "L" -> Režim ventilátora "M."

3. Upravte teplotu

Teplotu je možné nastaviť v rozmedzí 16 ° -31 ° C. Jedným stlačením tlačidla „D“ alebo „E“ zvýšite alebo znížite teplotu o 1 ° C. LED panel zariadenia zobrazuje cieľovú teplotu na 5 sekúnd a potom zobrazuje nastavenú teplotu, nie aktuálnu teplotu v miestnosti.

Po nastavení teploty v režime chladenia „K“, ak znova vyberiete režim chladenia „K“ alebo režim ventilátora „M“, potom LED displej zobrazí predvolenú cieľovú teplotu 25 ° C.

#### 4. Upravte rýchlosť ventilátora

Stlačením tlačidla „B“ zvolíte požadovanú rýchlosť ventilátora zobrazenú postupne:

Nízka rýchlosť „F“ -> Vysoká rýchlosť G

#### 5. Moc

Keď znova stlačíte tlačidlo „A“, zariadenie začne znieť „dí“ a prestane fungovať.

#### 6. Stlačením tohto tlačidla „N“ nastavíte časovač.

Pracovné zásady režimov:

Režim odvlhčovania „L“:

1. Ventilátor beží pri nízkych otáčkach a rýchlosť nie je možné nastaviť.

Nastavenie teploty nie je účinné. Pri vstupe do režimu odvlhčovania zariadenie automaticky upraví nastavenú teplotu o 2 ° C pod izbovú teplotu.

2. Keď pri izbovej teplote  $\leq 16$  °C nie je možné odvlhčovať, ventilátor bude pracovať pri nízkych otáčkach.

POZOR:

Pri prevádzke zariadenia v podmienkach rôznej vlhkosti by mala byť vypúšťacia zátka (8) neustále otvorená a mala by zaisťovať konštantný odtok vody. Na pohodlné vypúšťanie vody použijete potrubie, ktoré je súčasťou súpravy.

COOL režim „K“:

1. Keď je izbová teplota vyššia ako nastavená teplota na ovládacom paneli, kompresor začne pracovať. Zariadenie chladí miestnosť.

2. Keď je izbová teplota nižšia ako nastavená teplota na ovládacom paneli, kompresor sa zastaví a ventilátor pracuje na pôvodných nastavených otáčkach.

Režim ventilátora „M“:

1. Ventilátor beží na nastavenú rýchlosť a kompresor nebeží.

2. Nastavenie teploty nie je účinné.

Prevádzka časovača „N“:

1. Stlačením tlačidla „N“ nastavíte čas automatického vypnutia, keď je jednotka v prevádzke.

2. Stlačením tlačidla „N“ nastavíte čas automatického zapnutia, kým je jednotka pripravená.

3. Čas je možné nastaviť v rozmedzí od 1 hodiny do 24 hodín stlačením tlačidla „D“ (+) alebo „E“ (-).

Upozornenie:

Hlavná riadiaca doska má pamäťovú funkciu, keď je zariadenie pripravené na spustenie, ale v stave zastavenia, hlavná riadiaca doska si môže zapamätať inicializáciu pracovného režimu. Keď jednotku zapnete, bude fungovať rovnako ako v minulom pracovnom režime, nie je potrebné pracovný režim znova resetovať.

#### DIALKOVÝ OVLÁDAČ

1. Posunutím zadného krytu otvoru a odstránením izolačného filmu z batérii.

2. Vložte batérie do priestoru správnou stranou. Póly batérii sa musia zhodovať so znakmi „+“ a „-“ na diaľkovom ovládači.

3. Dlhodobu nepoužívajte, vyberte batérie.

4. Aby ste predišli znečisteniu životného prostredia, vyberte použité batérie a zlikvidujte ich vhodným spôsobom.

Na ovládanie zariadenia namierte diaľkový ovládač (4) na signál (3). Diaľkový ovládač (4) bude ovládať zariadenie na vzdialenosť 5 metrov, keď bude ukazovať na signálový receptor (3) zariadenia.

#### OCHRANNÉ ZARIADENIA

Ochranné zariadenie môže zariadenie vypnúť a zastaviť v nasledujúcich prípadoch:

1. v režime chladenia: teplota vzduchu v miestnosti je viac ako 43 ° C

2. v režime chladenia: izbová teplota je nižšia ako 16 ° C

3. v režime odvlhčovania: izbová teplota je nižšia ako 16 ° C

Ak zariadenie beží v režime chladenia „K“ alebo odvlhčuje „L“ s dlhými otvorenými dverami alebo oknami, keď je relatívna vlhkosť vyššia ako 80%, môže z výstupu kvapkať kvapka rosy.

Ochranné zariadenie bude fungovať v nasledujúcich prípadoch:

1. Reštartovanie zariadenia bezprostredne po ukončení práce alebo zmene zvoleného režimu počas práce musíte počkať 3 minúty.
2. Ak bola zástrčka vytiahnutá, po reštarte sa zariadenie vráti do pôvodného režimu, TIMER ON a TIMER OFF - je potrebné znova nastaviť.

**UPOZORNENIE:** V tomto zariadení je skrytá recyklácia kondenzujúcej vody. Kondenzujúca voda je čiastočne recyklovaná medzi kondenzátorom a zabudovanou vodnou doskou. Keď hladina vody vystúpi na hornú úroveň, zvýši sa pomocou plavákového spínača, potom Sa (W.F.) rozsvieti indikátor plného stavu vody „R“, ktorý vám pripomenie vypustenie vody. Odpojte napájanie, premiestnite spotrebič na vhodné miesto, vytiahnite vypúšťaciu zátku a úplne vypustíte vodu. Po vypustení znova nainštalujte vypúšťaciu zátku (8), inak môže spotrebič pretekať a zvlhčiť miestnosť. Ak nie je vypustený 5 minút po W.F. indikácia zapnutá, na displeji sa zobrazí E4.

Ak je spotrebič umiestnený v polohe, ktorá pripúšťa odtokovú vodu, môžete tiež pripojiť odtokové potrubie k odtokovému otvoru, aby ste mohli vodu vypúšťať. Do súpravy je pridaná odtoková rúra s vnútorným priemerom 9 mm, vonkajším priemerom 12 mm a materiálom: PVC.

Riešenie problémov

1) Problém: Nepracuje.

Analýza:

- a) je možné, že dôjde k vypnutiu ochrannej poistky alebo poistky, počkajte 3 minúty a spustíte znova, ochranné zariadenie môže brániť fungovaniu zariadenia.
- c) Možno sú batérie v diaľkovom ovládači vybité.
- d) možno nie je zástrčka správne zapojená.

2) Problém: funguje iba krátkodobo

Analýza:

- a) ak sa nastavená teplota blíži izbovej teplote, môžete zníženú teplotu znížiť.
- b) možno je výstup vzduchu zablokovaný prekážkou. Odstráňte prekážku.

3) Problém: Funguje, ale nie chladne

Analýza:

- a) možno sú otvorené dvere alebo okno.
- b) možno v tesnej blízkosti je iný tepelne pracujúci spotrebič, ako je ohrievač alebo lampa atď.
- c) vzduchový filter je znečistený, vyčistíte ho.
- d) výstup alebo prívod vzduchu je zablokovaný.
- f) nastavená teplota je príliš vysoká.

4) Problém: Únik vody počas pohybu.

Analýza:

- a) Pred pohybom vypustíte kondenzát.
  - b) Aby ste zabránili úniku vody, umiestnite zariadenie na rovnú zem.
- 5) Problém: Nepracuje a rozsvieti sa kontrolka naplnenia vody „W.F“

Analýza:

- a) Vytiahnite gumenú zátku na vypustenie vody.
- b) ak je často v tomto stave, kontaktujte kvalifikovaný servisný technik.

Riešenie problémov

6) Problém: Zariadenie sa nedá spustiť.

Analýza:

- a) možno nie je zapojený Pripojte ho teda.
- b) môže dôjsť k poškodeniu zástrčky alebo zásuvky. Nahraďte poskytovateľom služieb.
- c) možno je poškodená poistka Vymeňte poistku za poskytovateľa služieb (špecifikácia: 3,15A/250VAC).

7) Problém: Zariadenie sa automaticky zastaví.

Analýza:

- a) načasovanie sa vypne alebo sa dosiahne nastavená teplota. Reštartujte ho alebo počkajte na automatické prepnutie.
- 8) Problém: v režime COOL „K“ nie je studený vzduch.

Analýza:

- a) teplota v miestnosti je nižšia ako nastavená teplota. Je to normálny jav, zariadenie sa automaticky prepne, keď je izbová teplota vyššia ako nastavená teplota.
  - b) Zariadenie prejde do protimrazovej ochrany. Zariadenie sa automaticky vypne po skončení protimrazovej ochrany.
- 9) Problém: LED displej indikuje poruchový kód „E0“

Analýza:

- a) snímač teploty miestnosti zlyhá alebo je poškodený. Vymeňte snímač izbovej teploty za poskytovateľa služieb.

10) Problém: LED displej indikuje poruchový kód „E4“

Analýza:

- a) výstraha plná vody. Vypustite vodu.

## ČISTENIE A ÚDRŽBA

### Údržba zariadenia

1. Pred odpojením od napájania zariadenie najskôr vypnite.
2. Utrite mäkkou a suchou handričkou. Ak je spotrebič veľmi znečistený, použite vlažnú vodu pod 40 ° C.
3. Na čistenie zariadenia nikdy nepoužívajte prchavé látky, ako napríklad benzín alebo leštiaci prášok.

### Údržba vzduchového filtra

Ak zariadenie pracuje v extrémne prašnom prostredí, je potrebné vyčistiť vzduchový filter každé 2 týždne. Vyčistíte nasledovne:

1. Najprv zastavte zariadenie, zatlačte vzduchový filter nahor (obrázok F).
2. Vyčistíte a znova nainštalujete vzduchový filter.
3. Ak sú nečistoty nápadné, umyte ich roztokom saponátu vo vlažnej vode. Po vyčistení ho vysušte na tienistom a chladnom mieste a znova ho nainštalujte.

### Údržba po sezónnom použití

1. Ak zariadenie nebudete dlhší čas používať, vytiahnite gumovú zátku vypúšťacieho otvoru (8), aby ste vypustili vodu.
2. Nechajte spotrebič bežať v režime ventilátora iba pol dňa počas slnečného dňa, aby ste ho vysušili a zabránili plesneniu.
3. Zastavte zariadenie, vytiahnite zástrčku napájacieho kábla, potom vyberte batérie diaľkového ovládača a zariadenie správne uložte.
4. Vyčistíte vzduchový filter a znova ho nainštalujete.
5. Vyberte vzduchové hadice, uložte ich správne a otvor pevne zakryte.

### TECHNICKÉ DÁTA:

Chladiaci výkon pri BTU: 9 000 BTU / hod

Chladiaci výkon vo wattoch: 2 600 W

Spotreba energie (chladenie) W: 950 W

Hlasitosť: <= 64 dB

Prietok vzduchu: 270 m<sup>3</sup> / h

Energetická trieda: A.

Časovač: 24 hodín

Hmotnosť chladiacej kvapaliny R290: max. 160 gramov

Napätie 220-240 V ~ 50 Hz



Pozor, nebezpečenstvo požiaru. NEPrepichujte ani nespálujte. Majte na pamäti, že chladiivo nemusí obsahovať zápach. Maximálne množstvo chladiiva: 160 g.



Starostlivosť o životné prostredie. Kartónový obal odovzdajte do zberných surovín. Polyetylénové vrecká (PE) vyhodte do kontajnera na plast. Opotrebený spotrebič odovzdajte na príslušný zberný dvor, nebezpečné látky spotrebiča môžu predstavovať riziko pre životné prostredie. Elektrosprebič odstráňte tak, aby nedochádzalo k jeho ďalšiemu použitiu. Ak sa v spotrebiči nachádzajú batérie, vyberte ich a odovzdajte ich na zberné miesto osobitne. Spotrebič nevyhadzujte do kontajnera na komunálny odpad!

## KARTA GWARANCYJNA

WARUNKI GWARANCJI obowiązują na terenie Rzeczypospolitej Polskiej

Adler Sp. z o.o. ul. Ordona 2a 01-237 Warszawa zapewnia Użytkownika o dobrej jakości sprzętu, na który wydana jest niniejsza karta gwarancyjna i udziela 24 miesięcznej gwarancji, która liczy się od daty zakupu sprzętu. Usługi gwarancyjne świadczone są po okazaniu prawidłowo wypełnionej karty gwarancyjnej. Wady lub uszkodzenia sprzętu ujawnione w okresie gwarancji usuwane będą bezpłatnie przez Serwis Centralny. W przypadku zakupu sprzętu przez przedsiębiorcę (faktura VAT) okres gwarancji wynosi 12 miesięcy. Powyższy zapis nie dotyczy jednoosobowych działalności gospodarczych, o ile rodzaj zakupionego sprzętu, nie jest związany z profilem prowadzonej działalności gospodarczej – weryfikacja w CEIDG.

W przypadku wymiany rzeczy na nową, albo po dokonaniu istotnej naprawy, okres gwarancji biegnie na nowo od chwili dostarczenia klientowi rzeczy wolnej od wad, lub zwrócenia rzeczy naprawionej. Jeżeli gwarant wymienił część rzeczy, przepis powyższy stosuje się odpowiednio do części wymienionej. Gwarant zobowiązuje się pokryć koszty dostarczenia rzeczy do serwisu na adres wskazany w karcie gwarancyjnej. Jednakże uprawniony z gwarancji powinien zachować rozsądek, wybierając środek transportu.

Uprawnionemu z gwarancji nie przysługuje od gwaranta zwrot kosztów dostarczenia towaru – rzeczy do naprawy gwarancyjnej, przekraczający ekonomicznie uzasadnione koszty przewozu.

**UWAGA:** Sprzęt przeznaczony jest wyłącznie do użytku domowego. Naprawami gwarancyjnymi nie są objęte czynności związane z odkamienianiem, konserwacją, czyszczeniem urządzenia oraz części i akcesoria ulegające zużyciu przy normalnym użytkowaniu. Gwarancja nie obejmuje mechanicznych uszkodzeń sprzętu oraz wad i uszkodzeń wynikłych wskutek:

- niewłaściwego lub niezgodnego z instrukcją użytkowania, przechowywania i konserwacji;
- ingerencji nieautoryzowanego serwisu, samowolnych napraw, przeróbek i zmian konstrukcyjnych;
- użycia niewłaściwych materiałów eksploatacyjnych.
- uszkodzeń mechanicznych, termicznych, chemicznych i powstałych na skutek przepięcia w sieci.
- karta gwarancyjna jest nieważna bez daty zakupu, pieczęci sprzedającego i kopii dokumentu zakupu.
- gwarancja nie są objęte elementy eksploatacyjne i akcesoria w tym: elementy szklane (np. dzbanki, talerze), sznury przyłączeniowe, sieciowe, żarówki, baterie, nożyki i folie do urządzeń tnących, nasadki miksujące, trzepak, mieszaki, ssawkoszczotki, rury, węże, kubki miksujące, głowice tnące i sita.

Reklamowany sprzęt jest dostarczany do Serwisu Centralnego przez Klienta w stanie kompletnym i odpowiednio zabezpieczony na czas transportu. Po dokonanej naprawie reklamowany sprzęt odbierany jest z Serwisu Centralnego przez Klienta.

Termin usunięcia wady może zostać wydłużony o czas potrzebny do importu niezbędnych części, nie dłuższy niż 30 dni roboczych. W każdym takim przypadku warsztat serwisowy powiadomi klienta o wydłużeniu terminu naprawy gwarancyjnej. W związku z koniecznością sprowadzenia części zamiennych i poinformuje o nowym terminie usunięcia wady.

W przypadku stwierdzenia usterki należy ją zgłosić w punkcie sprzedaży lub w Serwisie Centralnym, ul. Ordona 2A, 01-237 Warszawa, tel. 728-595-006 lub e-mail: [serwis@adler.com.pl](mailto:serwis@adler.com.pl).

W zgłoszeniu proszę podać swój adres, nr telefonu i opis usterki. Do reklamacji konieczne jest dołączenie kopii dokumentu zakupu.

Gwarancja nie wyłącza ani nie ogranicza oraz nie zawiesza uprawnień kupującego wynikających

SERWIS CENTRALNY

01-237 Warszawa ul. Ordona 2A

tel. 728 - 595 - 006

[serwis@adler.com.pl](mailto:serwis@adler.com.pl) [www.adler.com.pl](http://www.adler.com.pl)

.....

(data sprzedaży)

.....  
(pieczęć sklepu i podpis sprzedawcy)

adnotacje serwisu:

### W trosce o środowisko...

Opakowania kartonowe oraz worki polietylenowe (PE) należy wrzucać do odpowiednich pojemników przeznaczonych do selektywnej zbiórki odpadów komunalnych zgodnie z ich opisem. Jeżeli w urządzeniu znajdują się baterie, należy je wyjąć i osobno oddać do punktu zbierania i składowania. Zużyte urządzenie należy oddać do odpowiedniego punktu zbierania i składowania, gdyż znajdujące się w nim niebezpieczne substancje mogą stanowić zagrożenie dla zdrowia i środowiska. Oznaczenie umieszczone na produkcie wskazuje, że urządzenia nie należy wyrzucać do pojemnika z odpadami komunalnymi.

Zużyty sprzęt elektryczny, to odpady, które zawierają substancje szkodliwe dla ludzi, zwierząt i środowiska. Substancje te mogą doprowadzić do zanieczyszczenia gleby, wody lub powietrza, a poprzez to mogą się dostać do organizmu człowieka i doprowadzić do licznych dolegliwości zdrowotnych, takich jak: zaburzenia wzroku, słuchu, mowy, mogą również doprowadzić do uszkodzenia nerek, wątroby i serca, oraz wywołać choroby skóry. Substancje szkodliwe mogą mieć również niekorzystny wpływ na układ oddechowy i rozrodzić oraz doprowadzić do zmian nowotworowych. Spożycie roślin rosnących na skażonych glebach, oraz produktów powstałych z nich może grozić

**Urządzenia nie wyrzucać do pojemnika na odpady komunalne !!!!**



OGÓLNE WARUNKI BEZPIECZEŃSTWA  
WAŻNE INSTRUKCJE DOTYCZĄCE BEZPIECZEŃSTWA UŻYTKOWANIA  
PRZECZYTAJ UWAŻNIE I ZACHOWAJ NA PRZYSZŁOŚĆ

1. Przed rozpoczęciem użytkowania urządzenia należy przeczytać instrukcję obsługi i postępować według wskazówek w niej zawartych. Producent nie odpowiada za szkody spowodowane użytkowaniem urządzenia niezgodnie z jego przeznaczeniem lub niewłaściwą jego obsługą.
2. Urządzenie służy wyłącznie do użytku domowego. Nie używać do innych celów, niezgodnych z jego przeznaczeniem.
3. Urządzenie należy podłączyć wyłącznie do gniazdka prądu przemiennego z uziemieniem 220 240V~50Hz. W celu zwiększenia bezpieczeństwa użytkowania do jednego obwodu prądu nie należy równocześnie włączać wielu urządzeń elektrycznych.
4. Należy zachować szczególną ostrożność podczas korzystania z urządzenia, gdy w pobliżu przebywają dzieci. Nie należy dopuszczać dzieci do zabawy urządzeniem nie pozwól dzieciom ani osobom nie zaznajomionym z urządzeniem na jego użytkowanie.
5. OSTRZEŻENIE: Niniejszy sprzęt może być użytkowany przez dzieci powyżej 8 roku życia oraz osoby o ograniczonej zdolności fizycznej, czuciowej lub psychicznej, lub osoby nie mające doświadczenia lub znajomości sprzętu, jeśli odbywa się to pod nadzorem osoby odpowiadającej za ich bezpieczeństwo lub zostały im udzielone wskazówki na temat bezpiecznego użytkowania urządzenia i mają świadomość niebezpieczeństwa związanego z jego użytkowaniem. Dzieci nie powinny bawić się sprzętem. Czyszczenie i konserwacja urządzenia nie powinna być wykonywana przez dzieci, chyba że są powyżej 8 roku życia a czynności te są wykonywane pod nadzorem.
6. Zawsze po zakończeniu używania, wyjmij wtyczkę z gniazda zasilającego poprzez przytrzymanie gniazdka ręką. NIE ciągnąć za sznur sieciowy.
7. Nie zanurzać kabla, wtyczki oraz całego urządzenia w wodzie lub innej cieczy. Nie wystawiaj urządzenia na działanie warunków atmosferycznych (deszczu, słońca, etc.) ani nie używaj w warunkach podwyższonej wilgotności (łazienki, wilgotne domki kempingowe).
8. Okresowo sprawdzaj stan przewodu zasilającego. Jeżeli przewód zasilający jest uszkodzony, to powinien on być wymieniony przez specjalistyczny zakład naprawczy w celu uniknięcia zagrożenia.
9. Nie używaj urządzenia z uszkodzonym przewodem zasilającym lub jeśli zostało upuszczone lub uszkodzone w jakikolwiek inny sposób lub nieprawidłowo pracuje. Nie naprawiaj urządzenia samodzielnie, gdyż grozi to porażeniem. Uszkodzone urządzenie oddaj do właściwego punktu serwisowego w celu sprawdzenia lub dokonania naprawy. Wszelkich napraw mogą dokonywać wyłącznie uprawnione punkty serwisowe. Nieprawidłowo wykonana naprawa może spowodować poważne zagrożenie dla użytkownika.
10. Należy stawiać urządzenie na chłodnej stabilnej, równej powierzchni, z dala od nagrzewających się urządzeń kuchennych jak: kuchenka elektryczna, palnik gazowy, itp.....
11. Upewnij się, że nic nie blokuje wlotu i wylotu powietrza do urządzenia
12. Używaj urządzenia tylko na równej poziomej powierzchni by zapobiec wylaniu się



skroplonej wody

13. Do zapewnienia dodatkowej ochrony, wskazane jest zainstalowanie w obwodzie elektrycznym, urządzenia różnicowoprądowego (RCD) o znamionowym prądzie różnicowym nie przekraczającym 30mA. W tym zakresie należy zwrócić się do specjalisty elektryka.

14. Czyść regularnie filtr powietrza. Częstotliwość czyszczenia zależy od czystości powietrza.

15. Po wyłączeniu urządzenia odczekaj co najmniej 5 minut przed ponownym włączeniem.

16. Nie używaj urządzenia w nasłonecznionych miejscach. Kiedy urządzenie przegrzeje się, zabezpieczenie przed przegrzaniem wyłączy urządzenie.

17. Dla zapewnienia efektywnego chłodzenia należy zachować odstęp co najmniej 60 cm między ściankami bocznymi urządzenia, a ścianą bądź meblami czy zasłonami.

18. Ze względu na ograniczoną wydajność urządzenia, przy zbyt dużej różnicy między temperaturą docelową a temperaturą otoczenia, temperatura docelowa może nie zostać osiągnięta.

19. W celu zmniejszenia ryzyka pożaru, porażenia prądem lub obrażeń podczas korzystania z klimatyzatora, należy przestrzegać następujących podstawowych środków ostrożności:

a) Podłącz do uziemionego gniazdka z 3 bolcami.

b) Nie usuwaj bolca uziemienia.

c) Nie używaj adaptera.

d) Nie używaj przedłużacza.

e) Odłącz klimatyzator przed serwisowaniem.

f) Użyj dwóch lub więcej osób, aby przenieść i zainstalować klimatyzator.

20. Nie należy używać środków przyspieszających proces rozmrażania lub czyszczenia innych niż zalecane przez producenta.

21. Urządzenie należy przechowywać w pomieszczeniu bez stale działających źródeł zapłonu, na przykład: otwartego ognia, urządzeń gazowych lub grzejników elektrycznych.

PRZED PIERWSZYM UŻYCIEM – (rysunek E)

Podłącz złącza do rury wylotowej powietrza w następujący sposób:

1. Wydułż kanał wylotowy powietrza, wyciągając dwa końce rury (9).

2. Wkręć rurę (9) do króćca złącza kanału wylotowego (10).

3. Podłącz złącze kanału wylotowego(10) do urządzenia.

UWAGI:

1. Trzymaj urządzenie w odległości co najmniej 1 metra od telewizora lub radia, aby uniknąć zakłóceń elektromagnetycznych.

2. Nie wystawiaj urządzenia na bezpośrednie działanie promieni słonecznych, aby uniknąć blaknięcia koloru powierzchni.

3. Nie przechylaj urządzenia o więcej niż 35° lub do góry nogami podczas transportu. Jeśli urządzenie zostało przewrócone podczas transportu, odłóż je prawidłowo i odczekaj 2-4 godziny przed uruchomieniem.

4. Ustaw urządzenie na płaskiej powierzchni o nachyleniu mniejszym niż 5°.

5. Urządzenie działa wydajniej w określonych lokalizacjach pomieszczeń, wybierz najlepszą lokalizację:

- Obok okna, drzwi lub francuskiego okna.

- Zachowaj wymaganą odległość od wylotu powietrza powrotnego do ściany lub innych przeszkód co najmniej 60 cm.

- Rozciągnij rurę wylotową powietrza, aby zapewnić prześwit pomiędzy drugim końcem węża powietrza a drzwiami okiennymi lub drzwiami balkonowymi lub otworem w ścianie.

- Wylot lub wlot powietrza nie może być blokowany przez kratkę ochronną ani żadną przeszkodę.

Aby przedłużyć żywotność urządzenia, spuść skroploną wodę z otworu spustowego (8) przed oddaniem urządzenia do przechowywania pod koniec sezonu.

#### OPIS URZĄDZENIA (zdjęcia A i B)

- |                              |  |
|------------------------------|--|
| 1. Panel sterowania          | 2. Wylot zimnego powietrza             |
| 3. Odbiornik sygnału         | 4. Pilot zdalnego sterowania           |
| 5. Uchwyt transportowy       | 6. Kanał wylotowy                      |
| 7. Wlot powietrza            | 8. Korek spustowy                      |
| 9. Rura wylotowa powietrza   | 10. Złącze kanału wylotowego powietrza |
| 11. Adapter wydmuchu do okna |  |

#### PANEL STEROWANIA (rysunek C)

- |   |   |
|---|---|
| A. Przycisk zasilania                       | B. Przycisk prędkości wentylatora           |
| C. Przycisk trybu pracy                     | D. Przycisk timera /podnoszenia temperatury |
| E. Przycisk timera / obniżenia temperatury  | F. Wskaźnik niskiej prędkości wentylatora   |
| G. Wskaźnik wysokiej prędkości wentylatora  | K. Wskaźnik trybu chłodzenia                |
| L. Wskaźnik trybu osuszania                 | M. Wskaźnik trybu pracy wentylatora         |
| N. Przycisk timera                          | R. WF – wskaźnik pełnej wody                |
| S. Ustawiona temperatura/wyświetlacz timera | W. Wskaźnik timera                          |

#### PILOT ZDALNEGO STEROWANIA – rysunek D

Pilot zdalnego sterowania przesyła sygnały do odbiornika (3).

Przycisk "A" - urządzenie zostanie uruchomione, gdy jest zasilane lub zostanie zatrzymane, gdy będzie działać, jeśli naciśniesz ten przycisk.

Przycisk "C" - naciśnij go, aby wybrać tryb pracy: "K", "L" lub "M". Zaświeci się odpowiedni wskaźnik.

Przycisk „B” - naciśnij go, aby kolejno wybrać prędkość wentylatora. Zaświeci się odpowiedni wskaźnik.

Przycisk "D" / "E" - naciśnij, aby ustawić żądaną temperaturę w pomieszczeniu lub timer. Wyświetlacz „S” przedstawia żądaną temperaturę, a nie temperaturę w pomieszczeniu.

Przycisk "N" - naciśnij, aby ustawić czas automatycznego wyłączenia i automatycznego włączenia.

#### OBSŁUGA PANELU STEROWANIA

##### CHŁODZENIE / SUSZENIE / WENTYLATOR

1. Włączenie urządzenia.

a) Podłącz urządzenie, a następnie urządzenie wyda jeden sygnał dźwiękowy.

b) Naciśnij przycisk „A”, wtedy urządzenie się włączy.

c) Wyświetlacz LED wskazuje ustawioną temperaturę.

2. Wybierz tryb pracy

Naciśnij przycisk „C”, aby wybrać żądany tryb pracy sekwencyjnie:

Tryb chłodzenia „K” -> Tryb suszenia „L” -> Tryb wentylatora „M”

3. Dostosuj temperaturę

Temperaturę można ustawić w zakresie 16°-31°C. Naciśnij przycisk „D” lub „E”, aby zwiększyć lub zmniejszyć temperaturę o 1°C przez jednokrotne naciśnięcie. Panel LED urządzenia pokazuje przez 5 sekund temperaturę docelową, a następnie wyświetla temperaturę zadaną, a nie aktualną w pomieszczeniu.

Po ustawieniu temperatury w trybie chłodzenia „K”, jeśli ponownie wybierzesz tryb chłodzenia „K” lub tryb wentylatora „M”, wyświetlacz LED wyświetli domyślną temperaturę docelową 25°C.

4. Dostosuj prędkość wentylatora

Naciśnij przycisk „B”, aby wybrać żądaną prędkość wentylatora, wyświetlaną w kolejności:

Niska prędkość „F” -> Wysoka prędkość G

5. Moc

Po ponownym naciśnięciu przycisku „A” urządzenie wyda dźwięk „di” i przestanie działać.

6. Naciśnij ten przycisk "N", aby ustawić czasomierz.

Zasada działania trybów:

Tryb osuszania „L”:

1. Wentylator będzie działał z niską prędkością i nie można jej regulować. Regulacja temperatury nie jest skuteczna. Urządzenie automatycznie dostosowuje ustawioną temperaturę do 2°C poniżej temperatury pokojowej po wejściu w tryb osuszania.

2. Gdy temperatura w pomieszczeniu  $\leq 16^{\circ}\text{C}$ , nie można osuszać powietrza, wentylator będzie działał z niską prędkością.

#### OSTRZEŻENIE:

Podczas pracy urządzenia w warunkach zmiennej wilgotności korek spustowy (8) powinien być stale otwarty i zapewniać stały odpływ wody. Do wygodnego odprowadzania wody użyj rurki dołączonej do zestawu.

Tryb chłodzenia „K”:

1. Gdy temperatura w pomieszczeniu jest wyższa niż temperatura ustawiona na panelu sterowania, sprężarka zaczyna działać. Urządzenie chłodzi pomieszczenie.
2. Gdy temperatura w pomieszczeniu jest niższa niż temperatura ustawiona na panelu sterowania, sprężarka zatrzymuje się i wentylator pracuje z oryginalnie ustawioną prędkością.

Tryb wentylatora „M”:

1. Wentylator pracuje z ustawioną prędkością, a sprężarka nie działa.
2. Regulacja temperatury nie jest skuteczna.

Działanie timera „N”:

1. Naciśnij przycisk „N”, aby ustawić czas automatycznego wyłączenia podczas pracy urządzenia.
2. Naciśnij przycisk „N”, aby ustawić czas automatycznego włączenia, gdy urządzenie jest w stanie gotowości do pracy.
3. Czas można regulować w zakresie od 1 godziny do 24 godzin, naciskając przycisk „D” (+) lub „E” (-).

UWAGA:

Urządzenie posiada funkcję pamięci, gdy urządzenie jest gotowe do pracy, ale znajduje się w stanie zatrzymania, płyta główna zapamiętuje inicjalizację trybu pracy. Po włączeniu urządzenie będzie działać tak samo jak poprzednio, nie ma potrzeby ponownego resetowania trybu pracy.

#### PILOT ZDALNEGO STEROWANIA

1. Przesuń tylną pokrywę, aby otworzyć i zdejmij folię izolacyjną z baterii.
  2. Włóż baterie do komory odpowiednią stroną, bieguny baterii muszą odpowiadać znakom „+” i „-” na pilocie.
  3. Gdy nie użytkujesz urządzenia przez dłuższy wyjmij baterie.
  4. Aby zapobiec zanieczyszczeniu środowiska, wyjmij zużyte baterie i zutylizuj je w bezpieczny i odpowiedni sposób.
- Aby obsługiwać urządzenie, skieruj pilota (4) na odbiornik sygnału (3). Pilot zdalnego sterowania (4) będzie sterował urządzeniem z odległości 5 metrów po skierowaniu na odbiornik sygnału (3) na urządzeniu.

#### ZABEZPIECZENIA OCHRONNE

Urządzenie ochronne może zadziałać i zatrzymać urządzenie w poniższych przypadkach:

1. w trybie chłodzenia: temperatura powietrza w pomieszczeniu przekracza  $43^{\circ}\text{C}$
2. w trybie chłodzenia: temperatura w pomieszczeniu poniżej  $16^{\circ}\text{C}$
3. w trybie osuszania: temperatura w pomieszczeniu poniżej  $16^{\circ}\text{C}$

Jeśli urządzenie działa w trybie chłodzenia „K” lub osuszania „L” z otwartymi drzwiami lub oknem przez długi czas, gdy wilgotność względna przekracza 80%, z wylotu może kapać rosa.

Urządzenie ochronne będzie działać w następujących przypadkach:

1. Ponowne uruchomienie urządzenia natychmiast po zatrzymaniu pracy lub zmianie wybranego trybu w trakcie pracy należy odczekać 3 minuty.
2. Jeżeli wtyczka została wyjęta, po ponownym uruchomieniu urządzenie powróci do pierwotnego trybu, należy ponownie ustawić TIMER ON i TIMER OFF.

UWAGA: w tym urządzeniu ukryty jest recykling wody kondensacyjnej. Woda kondensacyjna jest częściowo poddawana recyklingowi pomiędzy skraplaczem, a wbudowaną tacką z wodą. Kiedy poziom wody podnosi się do górnego poziomu podnosi przełącznik pływakowy wówczas (W.F.) wskaźnik zapalenia wodą „R” zapala się, aby przypomnieć o spuszczeniu wody. Proszę odłączyć zasilanie, przenieść urządzenie w odpowiednie miejsce, wyjmij korek spustowy (8), całkowicie spuścić wodę. Po spuszczeniu załóż ponownie korek, w przeciwnym razie urządzenie może przeciekać i zamoczyć pomieszczenie. Jeśli woda nie zostanie opróżniona w ciągu 5 minut po zaświeceniu W.F. wskaźnika, na wyświetlaczu pojawi się E4.

Jeśli urządzenie jest ustawione w miejscu, w którym może być odprowadzana woda, możesz również podłączyć wąż odpływowy do portu odpływowego, aby spuścić wodę. Do zestawu dołączona jest rura odpływowa o średnicy wewnętrznej 9mm, średnicy zewnętrznej 12mm, materiał: PVC.

## Rozwiązywanie problemów

1) Kłopot: nie działa.

Analiza:

a) mógł zadziałać bezpiecznik lub bezpiecznik jest przepalony, odczekaj 3 minuty i zacznij ponownie, urządzenie zabezpieczające może uniemożliwiać działanie urządzenia.

c) być może baterie w pilocie są wyczerpane.

d) może wtyczka nie jest prawidłowo podłączona.

2) Problem: działa tylko przez krótki czas

Analiza:

a) jeśli ustawiona temperatura jest zbliżona do temperatury pokojowej, można obniżyć ustawioną temperaturę.

b) być może wylot powietrza jest zablokowany przez przeszkodę. Usuń przeszkodę.

3) Problem: działa, ale nie chłodzi

Analiza:

a) może drzwi lub okno są otwarte.

b) może w bliskiej odległości znajduje się inne urządzenie pracujące cieplnie, takie jak grzejnik, lampa itp.

c) filtr powietrza jest brudny, należy go wyczyścić.

d) wylot lub wlot powietrza jest zablokowany.

f) ustawiona temperatura jest zbyt wysoka.

4) Problem: wyciek wody podczas pracy.

Analiza:

a) spuścić kondensat (skroploną wodę) przed przemieszczeniem.

b) aby uniknąć wycieku wody, umieść urządzenie na płaskim podłożu.

5) Problem: nie działa, a wskaźnik napelnienia wody „W.F” świeci się

Analiza:

a) wyciągnąć gumowy korek (8), aby spuścić wodę.

b) jeśli często jest w tym stanie, prosimy o kontakt z wykwalifikowanym serwisem technicznym.

6) Problem: Urządzenie nie uruchamia się.

Analiza:

a) może nie jest podłączone. Więc podłącz go.

b) możliwe uszkodzenie wtyczki lub gniazda. Wymień przez dostawcę usług.

c) być może uszkodzony bezpiecznik. Wymień bezpiecznik w serwisie (specyfikacja: 3,15A/250VAC).

7) Problem: Urządzenie automatycznie zatrzymuje się.

Analiza:

a) wyłączenie czasowe lub osiągnięcie ustawionej temperatury. Uruchom go ponownie lub poczekaj na automatyczne przełączenie.

8) Usterka: brak zimnego powietrza w trybie COOL „K”.

Analiza:

a) temperatura pokojowa jest niższa od temperatury zadanej. Jest to normalne zjawisko, urządzenie przełączy się automatycznie, gdy temperatura w pomieszczeniu będzie wyższa niż ustawiona temperatura.

b) Urządzenie wchodzi w ochronę przeciwmroźeniową. Urządzenie przełączy się automatycznie po zakończeniu ochrony przeciwmroźeniowej.

9) Usterka: wyświetlacz LED wyświetla kod błędu „E0”

Analiza:

a) awaria lub uszkodzenie czujnika temperatury pokojowej. Wymień czujnik temperatury w pomieszczeniu przez dostawcę usług.

10) Problem: wyświetlacz LED wyświetla kod błędu „E4”

Analiza:

a) ostrzeżenie o pełnej wodzie. Spuść wodę.

## CZYSZCZENIE I KONSERWACJA

### Konserwacja urządzenia

1. Wyłącz urządzenie przed odłączeniem od zasilania.

2. Wytrzyj miękką i suchą szmatką. Jeśli urządzenie jest bardzo zabrudzone, do czyszczenia używaj letniej wody o temperaturze poniżej 40°C.

3. Do czyszczenia urządzenia nigdy nie używaj substancji lotnych, takich jak benzyna lub proszek do polerowania.

### Konserwacja filtra powietrza

Filtr powietrza należy czyścić co 2 tygodnie, jeśli urządzenie pracuje w bardzo zapylnym środowisku. Wyczyść w następujący sposób:

1. Najpierw wyłącz urządzenie z zasilania, wypchnij filtr powietrza (Zdjęcie F).

2. Oczyszcz i ponownie zainstaluj filtr powietrza.

3. Jeśli brud jest widoczny, umyj go roztworem detergentu w letniej wodzie. Po wyczyszczeniu wysusz go w zacienionym i chłodnym miejscu, a następnie zainstaluj ponownie.

Konserwacja po użytkowaniu sezonowym

1. Jeżeli urządzenie nie będzie używane przez dłuższy czas, należy wyciągnąć gumowy korek z otworu spustowego (8) w celu spuszczenia wody.
2. Pozostaw urządzenie włączone z trybie wentylatora przez pół dnia w słoneczny dzień, aby wysuszyć urządzenie w środku i zapobiec pleśnieniu.
3. Zatrzymaj urządzenie i wyciągnij wtyczkę przewodu zasilającego, a następnie wyjmij baterie pilota i prawidłowo przechowuj urządzenie.
4. Wyczyść filtr powietrza i zainstaluj go ponownie.
5. Odłącz rurę i przechowuj je prawidłowo, a następnie szczelnie zakryj otwór

DANE TECHNICZNE:

Wydajność chłodnicza w BTU: 9000 BTU/godz.

Wydajność chłodnicza w watach: 2600 W

Zużycie energii (chłodzenie) W: 950 W

Głośność: <= 64 dB

Przepływ powietrza: 270 m<sup>3</sup>/h

Klasa energetyczna: A

Timer: 24 godziny

waga chłodziwa R290: max. 160 gramów

Napięcie 220-240V ~50Hz



Uwaga, ryzyko pożaru.

NIE przekuwać ani nie spalać.

Należy pamiętać, że czynnik chłodniczy może nie mieć zapachu.

Maksymalna ilość wsadu czynnika chłodniczego: 160g.

(AR) عربي

شروط السلامة. تعليمات هامة لسلامة الاستخدام. يرجى القراءة بعناية والاحتفاظ بها للرجوع إليها في المستقبل

1. قبل استخدام الجهاز ، اقرأ دليل التشغيل واتباع التعليمات الواردة فيه. المُصنِّع غير مسؤول عن الأضرار الناجمة عن استخدام الجهاز خلافاً للغرض المقصود منه أو التشغيل غير السليم.
2. الجهاز للاستخدام المنزلي فقط. لا تستخدمه لأغراض أخرى ليست للغرض المقصود منها.
3. يجب توصيل الجهاز بمأخذ تيار متردد فقط مع 220-240 فولت ~ 50 هرتز. لزيادة السلامة.
4. التشغيلية ، يجب عدم توصيل العديد من الأجهزة الكهربائية بدائرة تيار واحدة في نفس الوقت.
5. توخي الحذر الشديد عند استخدام الجهاز عندما يكون الأطفال في مكان قريب. لا تسمح للأطفال باللعب بالجهاز ، ولا تسمح للأطفال أو الأشخاص غير المعتادين على الجهاز باستخدامه.
6. تحذير: يمكن استخدام هذا الجهاز من قبل الأطفال الذين تزيد أعمارهم عن 8 سنوات والأشخاص ذوي القدرات البدنية أو الحسية أو العقلية المحدودة ، أو الأشخاص الذين ليس لديهم خبرة أو معرفة بالمعدات ، إذا تم ذلك تحت إشراف شخص مسؤول حفاظاً على سلامتهم أو منحهم معلومات عن الاستخدام الآمن للجهاز وإدراكهم لأخطار استخدامه. يجب ألا يلعب الأطفال بالمعدات. لا ينبغي أن يقوم الأطفال بتنظيف الجهاز وصيانته ، إلا إذا كان عمره أكبر من 8 سنوات ويتم تنفيذ هذه الأنشطة تحت إشراف.
7. أفضل قابس الطاقة دائماً عن طريق إمساك المقبس بيدك بعد الاستخدام. لا تسحب سلك الطاقة.
8. لا تغمر الكابل والقابس والجهاز بالكامل في الماء أو أي سائل آخر. لا تعرض الجهاز للظروف الجوية (مطر ، شمس ، إلخ) أو تستخدمه في ظروف الرطوبة العالية (الحمامات ، المنازل المتحركة). الرطوبة.
9. افحص بشكل دوري حالة سلك الطاقة. في حالة تلف سلك الطاقة ، يجب استبداله بمحل إصلاح متخصص لتجنب الخطر.
10. لا تستخدم الجهاز مع سلك طاقة تالف أو إذا سقط أو تعرض للتلف بأي طريقة أخرى أو إذا كان لا يعمل بشكل صحيح. لا تقم بإصلاح الجهاز بنفسك ، حيث يوجد خطر حدوث صدمة كهربائية. خذ

الجهاز التالف إلى مركز خدمة مناسب لفحصه أو إصلاحه. لا يجوز إجراء جميع الإصلاحات إلا من خلال نقاط الخدمة المعتمدة. يمكن أن تتسبب الإصلاحات التي يتم إجراؤها بشكل غير صحيح في خطر كبير على المستخدم

10. ، ضع الجهاز على سطح بارد وثابت ، بعيدًا عن أجهزة المطبخ الساخنة مثل: الموقد الكهربائي.
- وموقد الغاز ، وما إلى ذلك
11. تأكد من عدم وجود أي شيء يسد مدخل ومخرج الهواء بالجهاز.
12. استخدم الجهاز فقط على سطح مستو لمنع التكاثر من الانسكاب
13. في الدائرة الكهربائية بتيار متبقي (RCD) لتوفير حماية إضافية ، يُنصح بتركيب جهاز التيار المتبقي.
- مُقدر لا يتجاوز 30 مللي أمبير. اسأل كهربائيًا عن هذا
14. نظف مرشح الهواء بانتظام. يعتمد تكرار التنظيف على نظافة الهواء.
- بعد إيقاف تشغيل الجهاز ، انتظر 5 دقائق على الأقل قبل إعادة تشغيله.
15. لا تستخدم الجهاز في الأماكن المشمسة. عندما ترتفع درجة حرارة الجهاز ، سيتم تشغيل الحماية.
16. من الحرارة الزائدة على الجهاز
17. لضمان التبريد الفعال ، يجب إبقاء مسافة لا تقل عن 50 سم بين الجدران الجانبية للجهاز والحائط أو الأثاث أو الستائر
- نظرًا للآداء المحدود للجهاز ، إذا كان الفرق بين درجة الحرارة المستهدفة ودرجة الحرارة 18. المحيطة ..
19. لتقليل مخاطر نشوب حريق أو صدمة كهربائية أو إصابة عند استخدام مكيف الهواء ، يجب مراعاة:
- الاحتياطات الأساسية التالية
- أ) قم بالتوصيل بمخرج مؤرض بثلاثة دبابيس
- ب) لا تقم بإزالة سن التأريض
- ج) لا تستخدم المحول
- د) لا تستخدم سلك تمديد
- هـ) افصل مكيف الهواء قبل الصيانة
- و) استخدام شخصين أو أكثر لتحريك وتركيب المكيف
- لا تستخدم عوامل تسرع من عملية إزالة الجليد أو التنظيف بخلاف تلك التي أوصت بها الشركة.
20. المصنعة.
- يجب أن يتم تخزين الجهاز في غرفة دون تشغيل مصادر الاشتعال باستمرار ، على سبيل المثال
21. النار المفتوحة ، أجهزة الغاز أو السخانات الكهربائية

قبل الاستخدام الأول - (الصورة هـ)

قم بتوصيل الموصلات بمجرى عادم الهواء كما يلي

1. قم بتمديد أنبوب عادم الهواء (9) عن طريق سحب طرفي القناة
2. (10) اربط أنبوب عادم الهواء (9) في موصل مجرى عادم الهواء
3. قم بتوصيل موصل مجرى الهواء العادم (10) بالجهاز

ملاحظات:

1. ابق الوحدة على بعد متر واحد على الأقل من التلفزيون أو أجهزة الراديو لتجنب التداخل الكهرومغناطيسي.
2. لا تعرض الوحدة تحت أشعة الشمس المباشرة لتجنب تلاشي لون السطح.
3. لا تقم بأمالة الوحدة لأكثر من 35 درجة أو رأسًا على عقب أثناء النقل. إذا تم قلب الجهاز أثناء النقل ، فضعه بشكل صحيح وانتظر 4-2 ساعات قبل بدء تشغيله
4. ضع الوحدة على سطح مستو مع ميل أقل من 5 درجات.
5. تعمل الوحدة بكفاءة أكبر في مواقع معينة من الغرف ، حدد أفضل مكان - بجانب نافذة أو باب أو نافذة فرنسية -
- حافظ على المسافة المطلوبة من مخرج الهواء الراجع إلى الحائط أو أي عوائق أخرى 60 سم على الأقل -
- قم بمد خرطوم الهواء للتأكد من أن الطرف الآخر من خرطوم الهواء به خلوص بين باب النافذة ، أو النافذة الفرنسية ، أو فتحة الحائط -
- لا يمكن سد مخرج الهواء أو مدخله بشبكة واقية أو أي عائق -

إلطالة عمر الوحدة ، قم بتصريف المياه المكثفة من فتحة التصريف (8) قبل وضع الوحدة في التخزين في نهاية الموسم

- وصف الجهاز (الصور أ و ب)
- لوحة التحكم 2. مخرج الهواء البارد 1.
- مستقبل إشارة 4. تحكم عن بعد 3.
- مقبض النقل 6. أنبوب العادم 5.
- مدخل المبخر 8. قابس الصرف 7.
- أنبوب عادم الهواء 10. موصل لمجرى الهواء العادم 9.
- محول عادم النافذة 11.

لوحة التحكم (الصورة ج)

- زر الطاقة ب. زر سرعة المروحة
- الموقت / زر رفع درجة الحرارة D. زر الوضع C.
- مؤشر سرعة المروحة المنخفضة F. زر الموقت / خفض درجة الحرارة E.
- مؤشر وضع التبريد K. مؤشر السرعة العالية للمروحة
- مؤشر وضع المروحة M. مؤشر وضع إزالة الرطوبة
- مؤشر امتلاء المياه - WF. زر الموقت R.
- مؤشر الموقت W. ضبط درجة الحرارة / عرض الموقت S.

جهاز التحكم عن بعد - الصورة د

- (3) ترسل وحدة التحكم عن بعد إشارات إلى مستقبل الإشارة
- زر "A" - سيبدأ تشغيل الجهاز عندما يتم تنشيطه أو سيتم إيقافه عندما يكون قيد التشغيل ، إذا ضغطت على هذا الزر
- سيتم إضاءة المؤشر المناسب "M" أو "L" أو "K": اضغط عليه لتحديد وضع التشغيل - "C" زر
- زر "ب" - اضغط عليه لاختيار سرعة المروحة بالتسلسل. سيتم إضاءة المؤشر المناسب
- درجة الحرارة المرغوبة ، وليست درجة الحرارة الحالية "S" اضغط لضبط درجة الحرارة المطلوبة في الغرفة أو الموقت. تعرض الشاشة - "E" / "D" زر
- في الغرفة
- اضغط لضبط وقت الإيقاف التلقائي والتشغيل التلقائي - "N" زر

تشغيل لوحة التحكم

مروحة بارد وجاف

قم بتشغيل الجهاز 1.

- (أ) قم بتوصيل الجهاز ثم يصدر الجهاز صفيراً مرة واحدة
- ثم سيتم تشغيل الجهاز "A" (ب) اضغط على الزر
- تشير إلى درجة الحرارة المحددة LED (ج) شاشة

اختر وضع التشغيل 2.

- لتحديد وضع التشغيل المطلوب بالتسلسل "C" اضغط على الزر
- "M" وضع المروحة -> "L" وضع التجفيف -> "K" وضع التبريد

ضبط درجة الحرارة 3.

- لزيادة أو خفض درجة الحرارة بمقدار 1 درجة مئوية "E" أو "D" يمكن ضبط درجة الحرارة في نطاق 16 درجة -31 درجة مئوية. اضغط على الزر
- للجهاز درجة الحرارة المستهدفة لمدة 5 ثوانٍ ثم تعرض درجة الحرارة المحددة ، وليس درجة الحرارة الحالية في LED بالضغط مرة واحدة. تعرض لوحة
- الغرفة

- تشير إلى درجة LED فإن شاشة "M" أو وضع المروحة "K" إذا اخترت مرة أخرى وضع التبريد "K" بعد ضبط درجة الحرارة في وضع التبريد
- الحرارة المستهدفة الافتراضية 25 درجة مئوية

ضبط سرعة المروحة 4.

- لاختيار سرعة المروحة المرغوبة التي تظهر بالتسلسل "B" اضغط على الزر
- G سرعة عالية -> "F" سرعة منخفضة

القوة 5.

- ويتوقف عن العمل "di" مرة أخرى ، سيصدر الجهاز صوت "A" عندما تضغط على الزر

لضبط جهاز توقيت "N" اضغط على هذا الزر 6.

طرق مبادئ العمل

"L": إزالة الرطوبة من الوضع

- ستعمل المروحة بسرعة منخفضة ، ولا يمكن تعديل السرعة 1.
- تعديل درجة الحرارة غير فعال. يقوم الجهاز تلقائيًا بضبط درجة الحرارة المحددة على 2 درجة مئوية تحت درجة حرارة الغرفة عند الدخول في وضع
- إزالة الرطوبة

عندما تكون درجة حرارة الغرفة 16 °C ، لا يمكن إزالة الرطوبة ، ستعمل المروحة بسرعة منخفضة 2.

تحذير

عند تشغيل الجهاز في ظروف الرطوبة المتفاوتة ، يجب أن يكون قابس التصريف (8) مفتوحًا باستمرار ويضمن تصريفًا ثابتًا للمياه. لتصريف المياه بشكل مريح ، استخدم الأنابيب المضمنة في المجموعة

"K" COOL وضع

عندما تكون درجة حرارة الغرفة أعلى من درجة الحرارة المحددة على لوحة التحكم ، يبدأ الضاغط في العمل. الجهاز يبرد الغرفة 1.

عندما تكون درجة حرارة الغرفة أقل من درجة الحرارة المحددة على لوحة التحكم ، يتوقف الضاغط وتعمل المروحة بالسرعة الأصلية المحددة 2.

"M" مروحة وضع

تعمل المروحة على السرعة المحددة ولا يعمل الضاغط 1.

تعدّل درجة الحرارة غير فعال 2.

"N" عملية المؤقت

لضبط وقت الإيقاف التلقائي أثناء تشغيل الوحدة "N" اضغط على زر 1.

لضبط وقت التشغيل التلقائي عندما تكون الوحدة جاهزة "N" اضغط على زر 2.

(- "E" أو "D" يمكن ضبط الوقت في نطاق من ساعة واحدة إلى 24 ساعة بالضغط على الزر 3.

تنويه

تحتوي لوحة التحكم الرئيسية على وظيفة الذاكرة ، عندما يكون الجهاز جاهزًا للتشغيل ولكن في حالة التوقف ، يمكن للوحة التحكم الرئيسية حفظ تهيئة وضع العمل. عند تشغيل الوحدة ، ستعمل بنفس تفعيل وضع العمل كما في المرة السابقة ، ولا حاجة لإعادة ضبط وضع العمل مرة أخرى

جهاز التحكم

حرك الغطاء الخلفي لفتحه وخلع فيلم العزل عن البطاريات 1.

أدخل البطاريات في الحجرة مع الجانب الصحيح. يجب أن تتطابق أقطاب البطاريات مع علامتي "+" و "-" على جهاز التحكم عن بُعد 2.

لوقت طويل لا فائدة ، أخرج البطاريات 3.

لمنع التلوث البيئي ، قم بإخراج البطاريات المستعملة وتخلص منها بطريقة آمنة وصحيحة 4.

لتشغيل الجهاز ، وجه جهاز التحكم عن بعد (4) نحو مستقبل الإشارة (3). ستعمل وحدة التحكم عن بعد (4) على تشغيل الجهاز على مسافة 5 أمتار عند الإشارة إلى مستقبل إشارة (3) بالجهاز

وسائل وقائية

قد يتعرّف جهاز الحماية ويوقف الجهاز في الحالات المذكورة أدناه

في وضع التبريد: درجة حرارة الهواء الداخلي تزيد عن 43 درجة مئوية 1.

في وضع التبريد: درجة حرارة الغرفة أقل من 16 درجة مئوية 2.

في وضع إزالة الرطوبة: درجة حرارة الغرفة أقل من 16 درجة مئوية 3.

مع فتح الباب أو النافذة لفترة طويلة عندما تكون الرطوبة النسبية أعلى من 80% ، فقد "L" أو إزالة الرطوبة "K" إذا كان الجهاز يعمل في وضع التبريد يتساقط الندى من المخرج

سيعمل جهاز الحماية في الحالات التالية

إعادة تشغيل الجهاز فور توقف العمل أو تغيير الوضع المحدد أثناء العمل ، يجب الانتظار 3 دقائق 1.

يجب ضبطهما مرة أخرى - TIMER OFF و TIMER ON ، إذا تمت إزالة القابس ، بعد إعادة تشغيل الجهاز سيعود إلى الوضع الأصلي 2.

ملاحظة: هناك إعادة تدوير لمياه التكييف مخبأة داخل هذا الجهاز. يتم إعادة تدوير الماء المتكثف جزئيًا بين المكثف والبناء في لوح الماء. عندما يرتفع لتذكيرك بتصريف المياه. يرجى "R" يضيء مؤشر مستوى الماء الكامل (WF) مستوى الماء إلى المستوى الأعلى ، يتم رفعه بواسطة مفتاح العوامة ، ثم (8) قطع التيار الكهربائي ، ونقل الجهاز إلى مكان مناسب ، وإزالة قابس التصريف ، وتصريف المياه تمامًا. بعد التصريف ، أعد تركيب قابس التصريف E4. وإلا فقد يتسرب الجهاز ويجعل غرفتك رطبة. إذا لم يتم تجفيفه بعد 5 دقائق من استخدام دبلو. الإشارة قيد التشغيل ، ستظهر الشاشة ،

إذا تم وضع الجهاز في وضع يسمح بإدخال مياه الصرف ، يمكنك أيضًا توصيل أنبوب التصريف بمنفذ التصريف لتصريف المياه. يضاف أنبوب الصرف إلى المجموعة ، يقطر داخلي 9 ملم ، وقطر خارجي 12 ملم ، مادة: بولي كلوريد الفينيل

استكشاف الأخطاء وإصلاحها

مشكلة: لا تعمل (1)

التحليلات

(أ) ربما تم تفجير رحلة الحماية أو المصهر ، يرجى الانتظار لمدة 3 دقائق والبدء مرة أخرى ، قد يمنع جهاز الحماية الجهاز من العمل

(ج) ربما تكون البطاريات في جهاز التحكم عن بعد مستنفدة

(د) ربما لم يتم توصيل القابس بشكل صحيح

مشكلة: تعمل لفترة وجيزة فقط (2)

التحليلات

(أ) إذا كانت درجة الحرارة المضبوطة قريبة من درجة حرارة الغرفة ، فيمكنك خفض درجة الحرارة المحددة

(ب) ربما يكون مخرج الهواء مسدودًا بعائق. تخلص من العائق بعيدًا

مشكلة: يعمل ولكن لا يبرد (3)



#### التحليلات:

- (أ) ربما باب أو نافذة مفتوحة
  - (ب) ربما يوجد على مسافة قريبة جهاز آخر يعمل بالحرارة مثل السخان أو المصباح ، إلخ
  - (ج) مرشح الهواء متسخ ، يرجى تنظيفه
  - (د) انسداد مخرج الهواء أو دخوله
  - (و) درجة الحرارة المحددة مرتفعة للغاية
- مشكلة: تسرب المياه أثناء الحركة (4)

#### التحليلات:

- (أ) قم بتصريف المكثف قبل التحرك
  - (ب) لتجنب تسرب المياه ، يرجى وضع الجهاز على أرض مستوية
- "WF" مشكلة: لا تعمل ويضيء مؤشر امتلاء الماء (5)

#### التحليلات:

- (أ) اسحب السدادة المطاطية لتصريف المياه
  - (ب) إذا كان غالبًا في هذه الحالة ، فيرجى الاتصال بفني الخدمة المؤهل
- استكشاف الأخطاء وإصلاحها
- مشكلة: فشل الجهاز في بدء التشغيل (6)

#### التحليلات:

- (أ) ربما لا يسد. لذا ، قم بتوصيله
  - (ب) ربما أضرار القابس أو المقيس. استبدل بمقدم الخدمة
- (A/C 250VAC) ربما كسر الصمامات. استبدل المصدر بمزود الخدمة (المواصفات: 15، 3)
- مشكلة: الجهاز يتوقف تلقائيًا (7)

#### التحليلات:

- (أ) توقيت إغلاق أو ضبط درجة الحرارة وصلت. أعد تشغيله أو انتظر التبديل التلقائي
- "K" COOL مشكلة: لا يوجد هواء بارد في وضع (8)

#### التحليلات:

- (أ) درجة حرارة الغرفة أقل من درجة الحرارة المحددة. إنها ظاهرة طبيعية ، سيتم تبديل الجهاز تلقائيًا عندما تكون درجة حرارة الغرفة أعلى من درجة الحرارة المحددة

- (ب) يدخل الجهاز في الحماية ضد الصقيع. سيتحول الجهاز تلقائيًا بعد انتهاء الحماية من الصقيع
- "E0" تشير إلى رمز العطل LED مشكلة: شاشة (9)

#### التحليلات:

- (أ) فشل أو تلف جهاز استشعار درجة حرارة الغرفة. استبدل مستشعر درجة حرارة الغرفة بمزود الخدمة
- "E4" تشير إلى رمز العطل LED مشكلة: شاشة (10)

#### التحليلات:

- (أ) تحذير الماء الكامل. استنزاف الماء

#### التنظيف والصيانة

##### صيانة الجهاز

1. قم بإيقاف تشغيل الجهاز أولاً قبل فصله عن مصدر الطاقة.
2. امسح بقطعة قماش ناعمة وجافة. استخدم الماء الفاتر تحت 40 درجة مئوية للتنظيف إذا كان الجهاز متسخًا جدًا.
3. لا تستخدم أبدًا مادة متطايرة مثل البنزين أو مسحوق التلميع لتنظيف الجهاز.

##### صيانة فلاتر الهواء

من الضروري تنظيف فلتل الهواء كل أسبوعين إذا كان الجهاز يعمل في بيئة متربة للغاية. نظف كما يلي

1. (F الصورة) أوقف الجهاز أولاً ، وادفع مرشح الهواء لأعلى.
2. نظف مرشح الهواء وأعد تركيبه.
3. إذا كانت الأساخ ظاهرة ، اغسلها بمحلول منظف في ماء فاتر. بعد التنظيف ، جفها في مكان مظلل وبارد ، ثم أعد تركيبها.

##### الصيانة بعد الاستخدام الموسمي

1. إذا لم يتم استخدام الجهاز لفترة أطول ، فتأكد من سحب القابس المطاطي الخاص بفتحة التصريف (8) لتصريف المياه.
2. استمر في تشغيل الجهاز مع وضع المروحة لمدة نصف يوم فقط خلال يوم شمس لتجفيف الجهاز بالداخل ومنع التعفن.
3. أوقف الجهاز واسحب قابس سلك الطاقة ، ثم أخرج بطاريات جهاز التحكم عن بعد و قم بتخزين الجهاز بشكل صحيح.
4. نظف مرشح الهواء وأعد تثبيته.
5. قم بإزالة خراطيم الهواء و قم بتخزينها بشكل صحيح ، و قم بتغطية الفتحة بإحكام.

##### معلومات تقنية

وحدة حرارية بريطانية / الساعة 9000 BTU: سعة التبريد عند

قدرة التبريد بالواط: 2600 واط

استهلاك الطاقة (تبريد) وات: 950 وات

الحجم: < 64 ديسيبل

تدفق الهواء: 270 م<sup>3</sup> / ساعة

فئة الطاقة: أ

الموقت: ٢٤ ساعة



الحذر من خطر نشوب حريق.  
لا تخترق أو تحرق.  
اعلم أن المبرد قد لا يحتوي على رائحة.

يرجى نقل عبوات الورق المقوى إلى نفايات الورق. اسكب أكياس البولي إيثيلين في الحاوية البلاستيكية  
يجب إعادة الجهاز البالي إلى نقطة تخزين مناسبة لأنه خطير في الجهاز  
قد تشكل المكونات تهديدًا للبيئة. يجب تسليم الجهاز الكهربائي للحد  
فعليك إخراجها وإعطائها إلى النقطة المخزنة بشكل منفصل، إعادة استخدامها واستخدامها. إذا كان هناك بطاريات في الجهاز



## (BG) БЪЛГАРСКИ

### УСЛОВИЯ GENERALES DE SECURITE ИНСТРУКЦИИ DE SÉCURITÉ ВАЖНИ ИЗВЪРШВАНЕ НА ЛИРАТА ET À KONCEPBER POUR L'AVENIR

1. Преди да използвате устройството, прочетете ръководството за експлоатация и следвайте инструкциите, съдържащи се в него. Производителят не носи отговорност за щети, причинени от използването на устройството в противоречие с предвиденото му предназначение или неправилна работа.
2. Устройството е само за домашна употреба. Не използвайте за други цели, които не са по предназначение.
3. Устройството трябва да бъде свързано само към променливотоков контакт със заземен 220 240V ~ 50Hz. За да се повиши експлоатационната безопасност, няколко електрически устройства не трябва да бъдат свързани към една токова верига едновременно.
4. Бъдете изключително внимателни, когато използвате устройството, когато децата са наблизо. Не позволявайте на децата да играят с устройството, не позволявайте на деца или хора, които не са запознати с устройството, да го използват.
5. ПРЕДУПРЕЖДЕНИЕ: Това оборудване може да се използва от деца на възраст над 8 години и хора с ограничени физически, сетивни или умствени способности, или хора, които нямат опит или познания за оборудването, ако това се прави под наблюдението на отговорно лице за тяхна безопасност или им е предоставена информация за безопасното използване на устройството и са наясно с опасностите от използването му. Децата не трябва да играят с уредите. Почистването и поддръжката на устройството не трябва да се извършва от деца, освен ако те не са над 8 години и тези дейности се извършват под надзор.
6. Винаги изключвайте щепсела, като държите контакта с ръка след употреба. НЕ дърпайте захранващия кабел.
7. Не потапяйте кабела, щепсела и цялото устройство във вода или друга течност. Не излагайте устройството на атмосферни условия (дъжд, слънце и т.н.) или използвайте в условия на висока влажност (бани, влажни мобилни къщи).
8. Периодично проверявайте състоянието на захранващия кабел. Ако

захранващият кабел е повреден, той трябва да бъде сменен от специализиран сервиз, за да се избегне опасност.

9. Не използвайте уреда с повреден захранващ кабел или ако е изпуснат или повреден по друг начин или ако не работи правилно. Не ремонтирайте сами устройството, тъй като съществува риск от токов удар. Занесете повреденото устройство в подходящ сервизен център за проверка или ремонт. Всички ремонти могат да се извършват само от оторизирани сервизни центрове. Неправилно извършените ремонти могат да причинят сериозна опасност за потребителя.

10. Поставете устройството на хладна, стабилна повърхност, далеч от горещи кухненски уреди като: електрическа печка, газова горелка и др.

11. Уверете се, че нищо не блокира входа и изхода на въздуха на устройството

12. Използвайте устройството само върху равна повърхност, за да предотвратите изтичането на конденз

13. За да осигурите допълнителна защита, препоръчително е да инсталирате устройство за остатъчен ток (RCD) в електрическата верига с номинален остатъчен ток, който не надвишава 30mA. Попитайте електротехник за това.

14. Почиствайте редовно въздушния филтър. Честотата на почистване зависи от чистотата на въздуха.

15. След като изключите машината, изчакайте поне 5 минути, преди да я включите отново.

16. Не използвайте устройството на слънчеви места. Когато устройството се прегрява, защитата от прегряване ще включи устройството.

17. За да се осигури ефективно охлаждане, между страничните стени на устройството и стената или мебелите или завесите трябва да се поддържа разстояние най-малко 60 см.

18. Поради ограничените характеристики на устройството, ако разликата между целевата температура и температурата на околната среда е твърде голяма, целевата температура може да не бъде достигната.

19. За да намалите риска от пожар, токов удар или нараняване, когато използвате климатика, спазвайте следните основни предпазни мерки:

а) Свържете към заземен контакт с 3 щифта.

б) Не отстранявайте заземителя.

в) Не използвайте адаптера.

д) Не използвайте удължителен кабел.

д) Изключете климатика преди сервизно обслужване.

е) Използвайте двама или повече хора за преместване и инсталиране на климатика.

20. Не използвайте средства, ускоряващи процеса на размразяване или почистване, различни от препоръчаните от производителя.

21. Устройството трябва да се съхранява в помещение без постоянно работещи

## ИЗТОЧНИЦИ НА ЗАПАЛВАНЕ, НАПРИМЕР: ОТКРИТ ОГЪН, ГАЗОВИ УРЕДИ ИЛИ ЕЛЕКТРИЧЕСКИ НАГРЕВАТЕЛИ.

### ПРЕДИ ПЪРВО ИЗПОЛЗВАНЕ - (снимка Е)

Свържете конекторите към изпускателния канал на въздуха, както следва:

1. Удължете изпускателния канал за въздух (9), като издърпате двата края на канала.
2. Завийте изпускателния канал (9) в съединителя на въздуховода (10).
3. Свържете конектора на изпускателния въздуховод (10) към устройството.

### ЗАБЕЛЕЖКИ:

1. Дръжте устройството поне на 1 метър от телевизора или радиото, за да избегнете електромагнитни смущения.
  2. Не излагайте устройството на пряка слънчева светлина, за да избегнете избледняване на цвета на повърхността.
  3. Не наклоняйте устройството повече от 35 ° или с главата надолу по време на транспортиране. Ако устройството е било обърнато по време на транспортиране, оставете го правилно и изчакайте 2-4 часа, преди да го стартирате.
  4. Поставете устройството на равна повърхност с наклон под 5 °.
  5. Устройството работи по-ефективно в определени помещения, изберете най-доброто място:
    - До прозорец, врата или френски прозорец.
    - Спазвайте необходимото разстояние от изхода за обратен въздух до стената или други препятствия най-малко на 60 см.
    - Удължете маркуча за въздух, за да сте сигурни, че другият край на маркуча за въздух има свободно пространство между вратата на прозореца, френския прозорец или отвора за стената.
    - Въздухът или изходът на въздуха не могат да бъдат блокирани от защитна решетка или някакво препятствие.
- За да удължите живота на уреда, източете кондензираната вода от дренажния отвор (8), преди да поставите уреда на склад в края на сезона.

### ОПИСАНИЕ НА УСТРОЙСТВОТО (снимки А и В)

- |                                      |                              |
|--------------------------------------|------------------------------|
| 1. Контролен панел                   | 2. Изход за студен въздух    |
| 3. Рецептор на сигнала               | 4. Дистанционно управление   |
| 5. Транспортна дръжка                | 6. Дренажен канал            |
| 7. Вход на изпарителя                | 8. Дренажна тапа             |
| 9. Въздуховод за изпускане на въздух | 10. Съединител на въздуховод |
| 11. Изпускателен адаптер за прозорци |                              |

### КОНТРОЛЕН ПАНЕЛ (снимка С)

- |   |  |
|---|--|
| A. Бутон за захранване                    | B. Бутон за скорост на вентилатора           |
| C. Бутон за режим                         | D. Бутон за таймер / повишаване на темп.     |
| E. Бутон за таймер / пониж. на темп.      | F. Индикатор за ниска скорост на вентилатора |
| G. Индикатор за висока скорост на вентил. | K. Индикатор за режим на охлаждане           |
| L. Индикатор за режим на изсушаване       | M. Индикатор за режим на вентилатор          |
| N. Бутон на таймера                       | R. WF - индикатор за пълна вода              |
| S. Задаване темп. / Дисплей на таймера    | W. Индикатор на таймера                      |

### ДИСТАНЦИОННО УПРАВЛЕНИЕ - снимка D

Дистанционното управление предава сигнали към приемника на сигнала (3).

Бутон "А" - уредът ще се стартира, когато е включен или ще спре, когато работи, ако натиснете този бутон.

Бутон "С" - натиснете го, за да изберете режим на работа: "К", "L" или "M". Подходящият индикатор ще светне.

Бутон "В" - натиснете го, за да изберете последователно скоростта на вентилатора. Подходящият индикатор ще светне.

Бутон "D" / "E" - натиснете, за да настроите желаната температура в стаята или таймера. Дисплеят „S“ представя желаната температура, а не температурата в стаята.

Бутон "N" - натиснете, за да зададете времето за автоматично изключване и автоматично включване.

### РАБОТА НА КОНТРОЛНИЯ ПАНЕЛ ОХЛАЖДАНЕ / ИЗСУШАВАНЕ / ВЕНТИЛАТОР

1. Включете устройството.

- a) Свържете устройството и след това устройството ще издаде звуков сигнал.
- b) Натиснете бутона "А", след което устройството ще се включи.
- v) LED дисплеят показва зададената температура.

2. Изберете режима на работа

Натиснете бутона "С", за да изберете желания режим на работа по последователност:

Режим на охлаждане "K" -> Режим на изсушаване "L" -> Режим на вентилатор "M".

### 3. Регулирайте температурата

Температурата може да се регулира в диапазона 16 ° - 31 °С. Натиснете бутона "D" или "E", за да увеличите или намалите температурата с 1 °С, като натиснете веднъж. LED панелът на устройството показва целевата температура за 5 секунди и след това показва зададената температура, а не настоящата температура в помещението.

След като настроите температурата в режим на охлаждане „K“, ако отново изберете режим на охлаждане „K“ или режим на вентилатор „M“, LED дисплеят ще покаже зададената температура по подразбиране - 25 °С.

### 4. Регулирайте скоростта на вентилатора

Натиснете бутона "B", за да изберете желаната скорост на вентилатора, показвана по последователност:

Ниска скорост "F" -> Висока скорост G

### 5. Захранване

Когато натиснете отново бутона „A“, в устройството ще прозвучи „ди“ и ще спре да работи.

### 6. Натиснете този бутон "N", за да настроите таймер.

Принципи на работа:

Режим на сушене "L":

1. Вентилаторът ще работи с ниска скорост и скоростта не може да се регулира.

Регулирането на температурата е неефективно. Устройството автоматично настройва зададената температура на 2 °С под стайната при влизане в режим на сушене.

2. Когато стайната температура  $\leq 16$  °С не може да се изсуши, вентилаторът ще работи с ниска скорост.

**ВНИМАНИЕ:**

Когато работите с устройството в условия на променлива влажност, дренажната тапа (8) трябва да бъде постоянно отворена и да осигурява постоянен отток на водата. За удобно източване на вода използвайте тръбата, включена в комплекта.

**ОХЛАЖДАЩ режим „K“:**

1. Когато стайната температура е по-висока от зададената температура на контролния панел, компресорът започва да работи. Устройството охлажда стаята.

2. Когато стайната температура е по-ниска от зададената на контролния панел, компресорът спира и вентилаторът работи с първоначално зададената скорост.

**Режим на вентилатор "M".**

1. Вентилаторът работи с зададена скорост, а компресорът не работи.

2. Регулирането на температурата е неефективно.

**Операция на таймера "N":**

1. Натиснете бутона "N", за да настроите времето за автоматично изключване, докато устройството работи.

2. Натиснете бутона "N", за да зададете автоматично включване, докато устройството е в готовност.

3. Времето може да се регулира в диапазона от 1 час до 24 часа, като натиснете бутона "D" (+) или "E" (-).

**Забележка:**

Основната платка за управление има функция памет, когато устройството е в готовност за работа, но в спряло положение, основната платка за управление може да запомни инициализацията на работния режим. Когато включите устройството, то ще работи в същия работен режим от миналия път, няма нужда да нулирате отново работния режим.

**ДИСТАНЦИОННО**

1. Плъзнете задния капак, за да го отворите, и свалете изолиращото фолио на батериите.

2. Поставете батериите в отделението с правилната страна. Полюсите на батериите трябва да съвпадат със знаците "+" и "-" на дистанционното управление.

3. При дълго време без употреба, извадете батериите.

4. За да предотвратите замърсяването на околната среда, извадете изхабените батерии и ги изхвърлете безопасно и по подходящ начин.

За да управлявате устройството, насочете дистанционното управление (4) към приемника на сигнала (3). Дистанционното управление (4) ще управлява устройството на разстояние 5 метра, когато е насочено към приемника на сигнала (3) на устройството.

## ЗАЩИТНИ УСТРОЙСТВА

Защитното устройство може да се включи и да спре уреда в случаите, изброени по-долу:

1. в режим на охлаждане: температурата на въздуха в помещенията е над 43 °С.
2. в режим на охлаждане: стайната температура е под 16 °С.
3. в режим на изсушаване: стайната температура е под 16 °С

Ако устройството работи в режим на охлаждане „K“ или изсушаване на въздуха „L“ с отворена врата или прозорец за дълго време, когато относителната влажност е над 80%, от изхода може да капе роса.

Защитното устройство ще работи в следните случаи:

1. Рестартирате устройството веднага след спиране на работа или промяна на избрания режим по време на работа, трябва да изчакате 3 минути.
2. Ако щепселът е изваден, след рестартиране устройството ще се върне в първоначалния режим, TIMER ON и TIMER OFF трябва да бъдат настроени отново.

**ЗАБЕЛЕЖКА:** в това устройство има скрито рециклиране на кондензна вода. Кондензираната вода частично се рециклира между кондензатора и вградения съд за вода. Когато нивото на водата се повиши до горното ниво, то се повишава с поплавъчния превключвател, след това (W.F.) светва индикатора за пълно ниво на водата "R", за да ви напомни да източите водата. Моля, изключете захранването, преместете уреда на подходящо място, извадете тапата за източване, източете водата напълно. След източването поставете отново дренажната тапа (8) или уредът може да тече и да намокри стаята ви. Ако не се източи 5 минути след W.F. индикацията е включена, на дисплея ще се покаже E4.

Ако уредът е поставен в положение, позволяващо източване на вода, можете също да свържете дренажната тръба към дренажния отвор, за да източите водата. Към комплекта се добавя дренажна тръба с вътрешен диаметър 9 мм, външен диаметър 12 мм, материал: PVC.

Отстраняване на неизправности

1) Проблем: Не работи.

Анализ:

- a) може би защитното изключване или предпазителят е изгорял, моля изчакайте 3 минути и опитайте отново, защитното устройство може да попречи на устройството да работи.
- b) може би батериите в дистанционното управление са изтощени.
- c) може би щепселът не е правилно включен.

2) Проблем: работи само за кратко време

Анализ:

- a) ако зададената температура е близка до стайната, можете да намалите зададената температура.
- b) може би изходът за въздух е блокиран от препятствие. Отстранете препятствието.
- 3) Проблем: Работи, но не охлажда

Анализ:

- a) може би вратата или прозорецът са отворени.
  - b) може в близко разстояние да има друг уред, който да работи с топлина като нагревател или лампа и т.н.
  - c) въздушният филтър е замърсен, моля, почистете го.
  - d) изходът или входът на въздух е блокиран.
  - e) зададената температура е твърде висока.
- 4) Проблем: Изтичане на вода по време на движение.

Анализ:

- a) източете кондензата преди преместване.
  - b) за да избегнете изтичане на вода, моля, поставете устройството на равна земя.
- 5) Проблем: Не работи и индикаторът за пълна вода „W.F.“ свети

Анализ:

- a) издърпайте гумената тапа, за да източите водата.
- b) ако често е в това състояние, моля, свържете се с квалифициран технически сервиз.

Отстраняване на неизправности

6) Проблем: Устройството не се включва.

Анализ:

- a) може би не е включено. Така че, включете го.
  - b) може би щепсела или контакта е повреден. Заменете го с доставчика на услуги.
  - c) може би предпазителят е счупен. Сменете предпазителя от доставчик на услуги (спецификация: 3,15A/250VAC).
- 7) Проблем: Устройството автоматично спира.

Анализ:

- a) достигнато време за изключване или зададена температура. Рестартирайте или изчакайте автоматичното

превключване.

8) Проблем: няма студен въздух в режим COOL "K".

Анализ:

а) стайната температура е по-ниска от зададената температура. Това е нормално явление, уреда автоматично ще превключи, докато стайната температура е по-висока от зададената температура.

б) Устройството влиза в защита срещу замръзване. Устройството автоматично ще се превключи, след като защитата срещу замръзване приключи.

9) Проблем: LED дисплеят показва код на повреда „E0“

Анализ:

а) сензорът за стайна температура се повреди или счупи. Сменете сензора за стайна температура от доставчика на услуги.

10) Проблем: LED дисплеят показва код за повреда "E4"

Анализ:

а) предупреждение за пълна вода. Изцедете водата.

## ПОЧИСТВАНЕ И ПОДДРЪЖКА

Поддръжка на устройството

1. Първо изключете устройството, преди да го изключите от захранването.

2. Избършете с мека и суха кърпа. Използвайте хладка вода под 40 °C за почистване, ако уредът е много замърсен.

3. Никога не използвайте запалими вещества като бензин или полиращ прах за почистване на устройството.

Поддръжка на въздушния филтър

Необходимо е да почиствате въздушния филтър на всеки 2 седмици, ако устройството работи в изключително прашна среда. Почистете, както следва:

1. Първо спрете устройството, натиснете въздушния филтър (Снимка F).

2. Почистете и поставете отново въздушния филтър.

3. Ако мръсотията е видима, измийте я с разтвор на препарат в хладка вода. След почистване го подсушете на засенчено и хладно място, след което го сглобете отново.

Поддръжка след сезонна употреба

1. Ако устройството няма да се използва за по-дълго време, не забравяйте да издърпате гумената тапа на дренажния отвор (8), за да източите водата.

2. Оставете уреда да работи с режим на вентилатор само за половин ден през слънчев ден, за да изсушите уреда вътре и да предотвратите мухлясане.

3. Спрете устройството и издърпайте щепсела на захранващия кабел, след това извадете батериите на дистанционното управление и съхранявайте устройството правилно.

4. Почистете въздушния филтър и го поставете отново.

5. Извадете маркучите за въздух и ги съхранявайте правилно и покрийте плътно отвора.

## ТЕХНИЧЕСКИ ДАННИ:

Охлаждащ капацитет при BTU: 9000 BTU / час

Охлаждащ капацитет във ватове: 2600 W

Консумация на енергия (охлаждане) W: 950 W

Сила на звука: <= 64 dB

Въздушен поток: 270 m<sup>3</sup> / h

Енергиен клас: A

Таймер: 24 часа

Тегло на охлаждащата течност R290: макс. 160 грама

Източник на захранване: 220-240V ~ 50Hz



Внимание, опасност от пожар.

НЕ пробивайте или изгаряйте.

Имайте предвид, че хладилният агент може да не съдържа миризма.

Максималното количество на хладилния агент: 160 g.



Моля, прехвърлете картонените опаковки в отпадъчна хартия. Изсипете полиетиленовите торбички (PE) в пластмасовия контейнер. Износеното устройство трябва да се върне в съответното място за съхранение, тъй като е опасно в устройството съставките могат да представляват заплаха за околната среда. Електрическото устройство трябва да бъде предадено докрай повторното му използване и използване. Ако в устройството има батерии, трябва да извадите и да дадете на точката, съхранявана отделно.

# mesko



**ELECTRIC SHAVER**  
MS 2926



**HEATED PAD**  
MS 7429



**ELECTRIC KETTLE**  
MS 1288



**AIR COOLER**  
MS 7914



**SANDWICH MAKER 3IN1**  
MS 3045



**MEAT MINCER**  
MS 4805



**HAIR DRYER**  
MS 2250



**TRIMMER SET**  
MS 2931



**Egg Boiler**  
MS 4485